

Butterfly Valve K4

Electric Actuators ER35 / ER60



General:

- Seal materials: EPDM
FPM
- Body material: PP-GF
- Flap material: PVC-C
- Dimensions: DN65 – DN100
d75 – d110
2 ½" – 4"
- Flange standards: DIN 2501 PN 10
ANSI B 16,5 Class150
JIS 10 K
BS Table D&E
- Additional dimension: DN65/d63
DIN 2501 PN 10

Operating pressure:

PVC-C PN10

Actuator material:

- ER - plastic body

Technical features:

- only sleeve gasket and disc in touch with medium
- double sealed shaft
- integrated bracket for fix point mounting
- direct mounting of the actuator without additional adaptor or screws
- mechanical limit stops
- emergency manual override
- protection class ER IP65
- position indication
- torque and force limiters

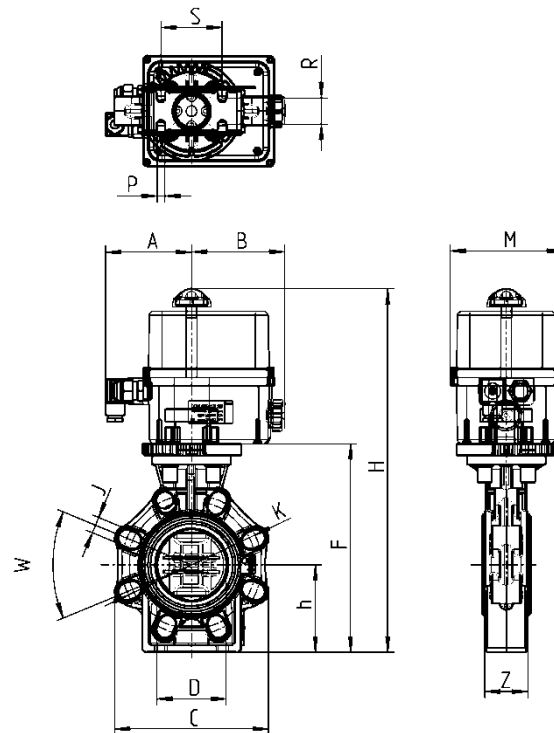
This document does not constitute a guarantee, it is for initial information purposes only. The product range is continually upgraded, the designs and types therefore only reflect the state of the art at the time of printing. Subject to technical modifications!

Butterfly Valve K4

Electric Actuators ER35 / ER60



Dimensions:



	ER35	ER60	ER60
DN	65	80	100
d	75	90	110
G	2 1/2"	3"	4"
D	65	80	100
C	133	176	206
W	90°	45°	45°
J	19	19	19
K	127-145	146-160	175-190,5
H	409	416	446
h	100	100	115
A	98	98	98
B	107	107	107
M	128	128	128
Z	46	49	56
S	55	70	85
R	25	30	35
P	7	9	9
F	232	239	269
PN	10	10	10

Dimensions in mm

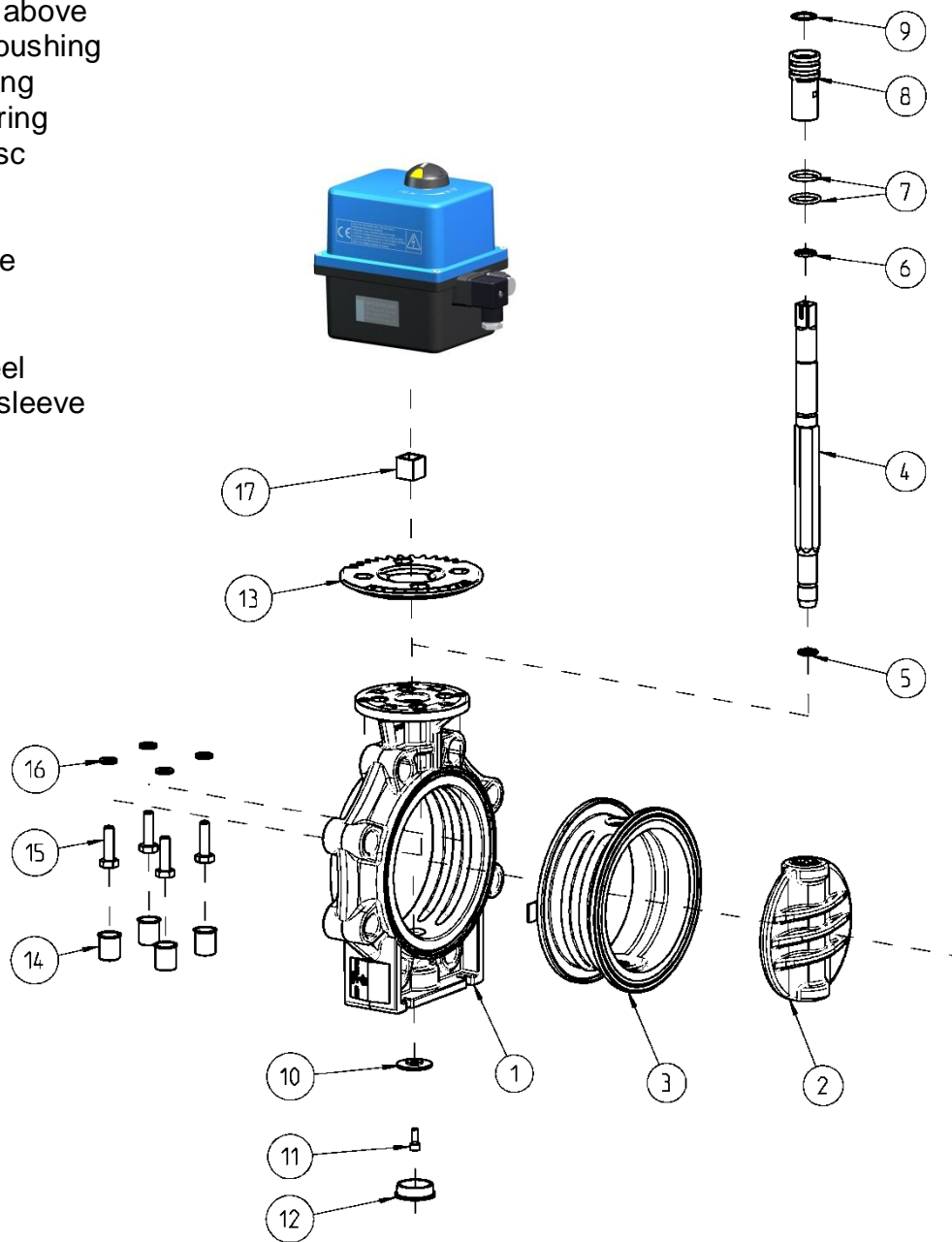
Butterfly Valve K4

Electric Actuators ER35 / ER60



Exploded drawing:

- 01. Body
- 02. Flap
- 03. Sleeve
- 04. Shaft
- 05. Seal shaft below
- 06. Seal shaft above
- 07. Seal pilot bushing
- 08. Pilot bushing
- 09. Retaining ring
- 10. Holding disc
- 11. Screw
- 12. Cap
- 13. Cover plate
- 14. Cap
- 15. Screws
- 16. Tooth wheel
- 17. Reducing sleeve



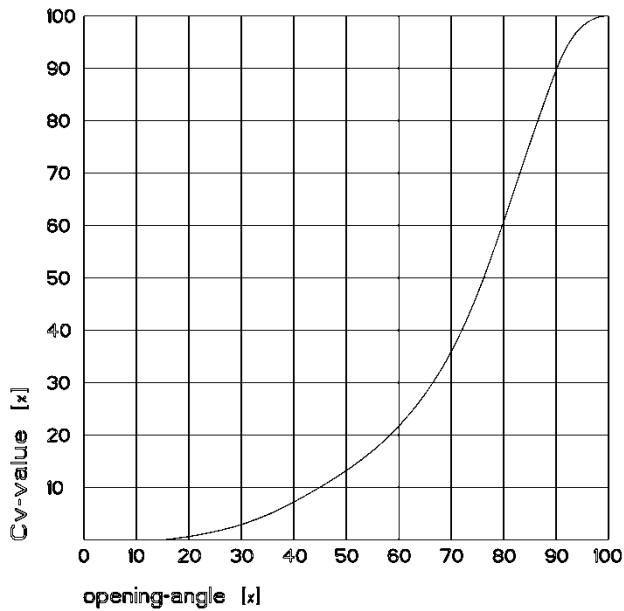
Butterfly Valve K4

Electric Actuators ER35 / ER60

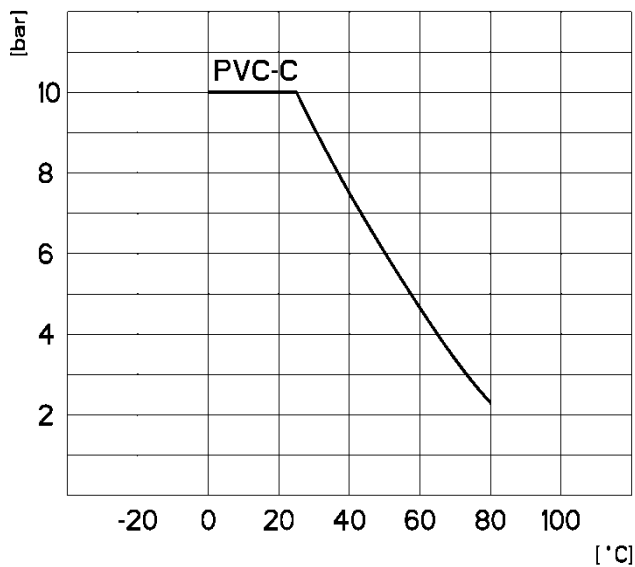


Diagrams:

Flow - characteristic



Pressure – temperature – diagram

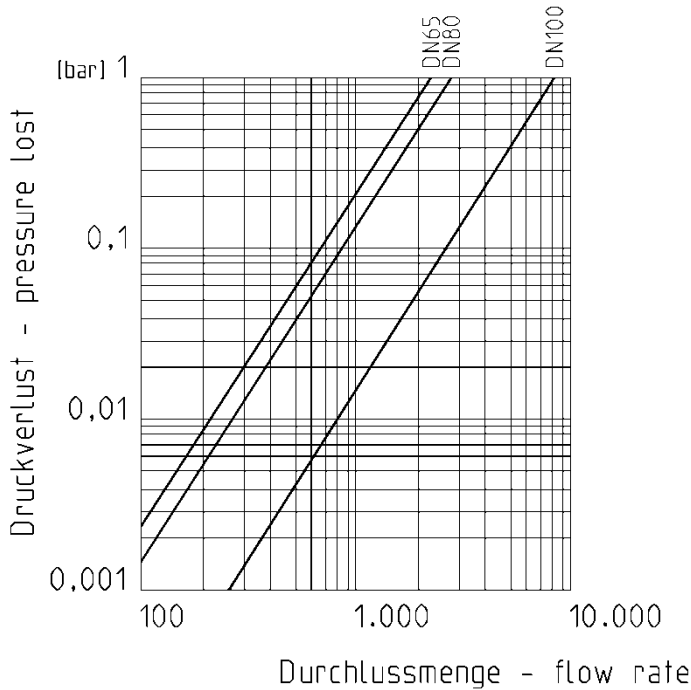


Butterfly Valve K4

Electric Actuators ER35 / ER60



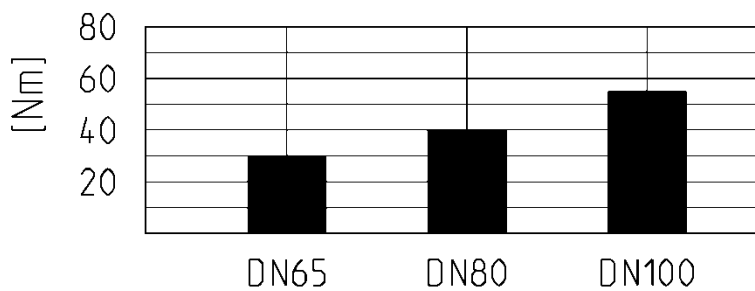
Pressure – loss - diagram



Kv value table

Pressure loss	DN65	DN80	DN100
0,001 bar	73 l/min	88 l/min	260 l/min
1 bar	2300 l/min	2800 l/min	8200 l/min

Torque



Tightening torque of screws for flange connections

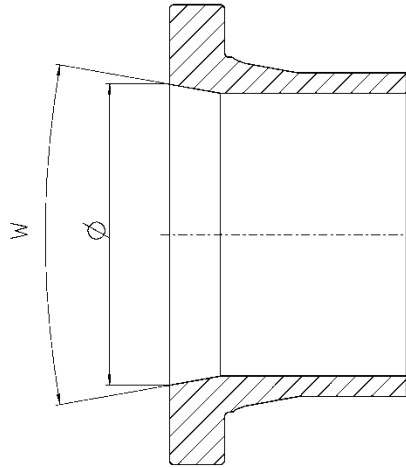
DN	65	80	100
Nm	15	18	20

Butterfly Valve K4

Electric Actuators ER35 / ER60

Installation in piping:

For a correct and complete opening of the flap, it is necessary that the used sockets and stub flanges have at least an inner diameter according to the table.



DN	d	Ø (mm)	w (°)
DN50*	d63*	60	40
DN65	d75	60	40
DN80	d90	77	40
DN100	d110	96,5	40

* Suitable only for **DIN** DN50 d63 sockets and stub flanges.

Butterfly Valve K4
Electric Actuators ER35 / ER60



Technical Data Actuator:

Electric Actuator ER

- 2 preset limit switches
- 2 position feedbacks
- Mechanical Stop at 90°
- 180° or 270° without mechanical stop
- Duty cycle 30%
- Protection class IP65
- Ambient temperature -10 to 50°C
- ISO connection F05 / F07
- Weight 2,1

Type	ER35	ER60
Torque	35Nm	60Nm
Tensions	24V AC/DC, 90-240V AC, 90-350V DC	
Operating time	10s	15s
Power	15W	45W