



Flow meter

M123
M335
M350

PVC-U

DATASHEET

Overview

General

Materials	measuring tube float O-Ring	PA, PVC, PSU PVDF EPDM
Dimension M123	DN10 – DN25 d16 – d32 3/4 " – 1 1/2 "	
Dimension M335/M350	DN25 – DN65 d32 – d75 1 1/2 " – 3 1/2 "	
Connection	adhesive socket	metric / ASTM
Operating pressure		PN10

Index

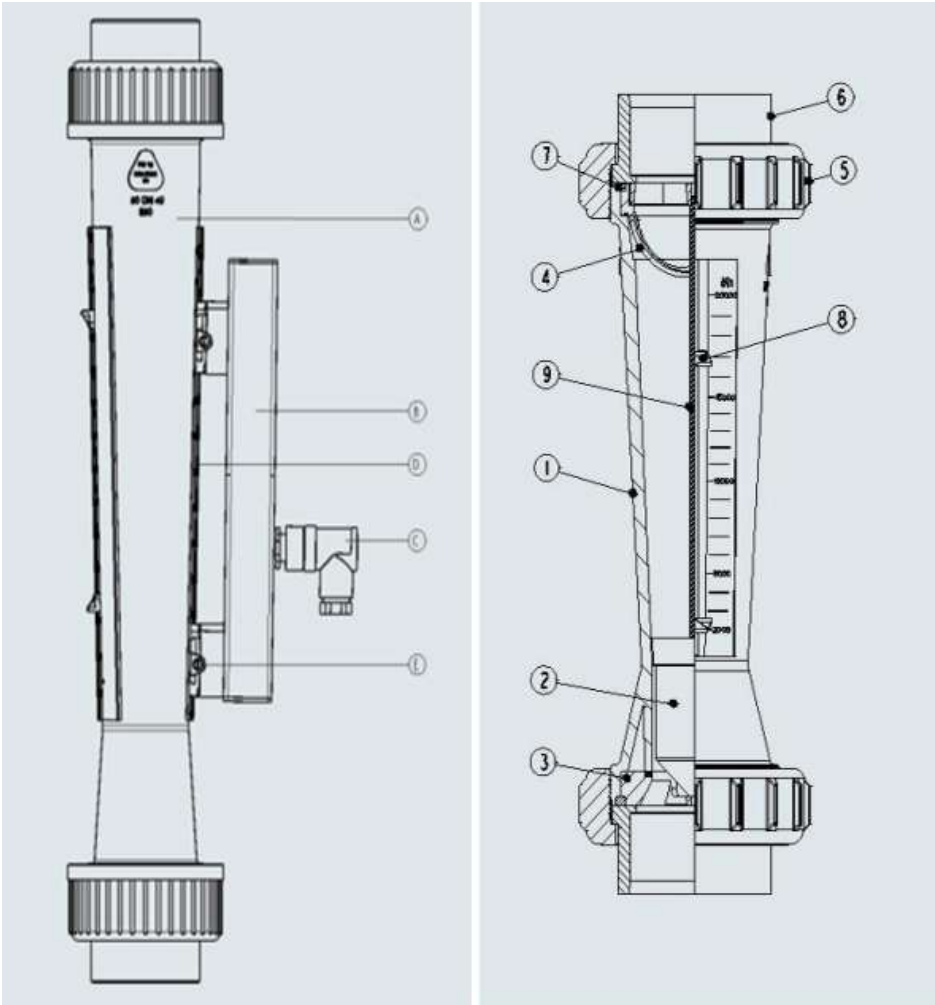
Technical data site 4 - 5

Chemical resistance list - float site 6

Dimensions site 7

Accessories: limit contacts, measuring sensor, special scales site 8

Exploded drawing



No.

1	measuring tube	PA, PSU	6	insert	PP-H
2	float	PVDF	7	O-Ring	EPDM
3	insert bottom	PVDF	8	set point indicator	
4	insert top	PVDF	9	guide rod*	
5	union nut	PP			
					<i>* DN50 und DN65</i>
A	flow meter M335 / M350 with magnetic float		D	guide rail	
B	measurement sensor Z60		E	clamping screws for fastening and adjusting the sensor	
C	plug connection				

Pressure loss

Measuring range l/h	Pressure loss mbar
50 - 500	22.84
100 - 1.000	22.84
150 - 1.500	22.84
250 - 2.500	22.84
200 - 2.000	24.99
300 - 3.000	24.99
600 - 6.000	24.99
1.000 - 10.000	24.99
1.500 - 15.000	28.23
2.000 - 20.000	45.67
3.000 - 30.000	45.67
8.000 - 60.000	47.24

Material resistance

d	DN	Measuring range H ₂ O l/h	M335 / M350
32	25	50-500	▲ ■ ●
32	25	100-1.000	▲ ■ ●
40	32	150-1.500	▲ ■ ●
40	32	250-2.500	▲ ■ ●
50	40	200-2.000	▲ ■ ●
50	40	300-3.000	▲ ■ ●
50	40	600-6.000	▲ ■ ●
63	50	600-6.000	▲ ■ ●
63	50	1.000-10.000	▲ ■ ●
63	50	1.500-15.000	▲ ■ ●
75	65	2.000-20.000	▲ ■ ●
75	65	3.000-30.000	▲ ■ ●
75	65	8.000-60.000	▲ ■ ●

Sign Explanation:

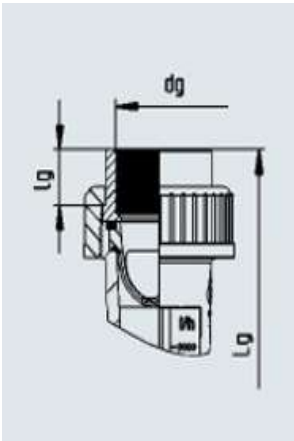
▲ PA (polyamide trogamide) ■ PSU (polysulphone) ● PVC

Chemical resistance (float) flow meter

	Medium	formula	concentration	Measuring tube material			Guide rod, float, stops
				PV C-U	PA	PSU	PVDF
Acid	Phosphoric acid	H3PO4	< 75 %	x	-	x	X
	Sulfuric acid	H2SO4	< 78 %	x	-	-	X
	Nitric acid	HNO3	< 58 %	0	-	-	X
	Nitric acid	HNO3	67 %	-	-	-	X
	Hydrofluoric acid	HF	< 40 %	0	-	-	X
	Hydrochloric acid	HCl	< 36 %	x	-	-	X
Lye	ammonia	NH4OH	25 %	X	X	X	-
	Potassium hydroxide solution	KOH	< 50 %	X	0	X	-
	Nontronic Lye	NaOH	< 40 %	x	0	X	-
Anorganica	ferric chloride	FeCL3		X	-	X	X
	Chlorine bleaching lye	NaOCl	< 6 %	X	-	X	-
	Sodium bisulfide	NaHSO3	< 40 %	X	X	X	X
	Hydrogen peroxide	H2O2	35 %	X	-	X	0
	Aqueous inorganic salt solution (non-oxidizing)	to saturation		x	X	X	X
Organica	Formic acid	HCOOH	85 %	0	-	0	0
	Acetic acid	CH3COO H	< 80 %	X	-	X	X
	Formaldehyde	< 40 %		X	-	X	X
	Ethylene glycol	< 50 %		X	-	X	X
	Acetone	Pure		-	0	-	-
	Ethanol, Methanol	pure		X	-	X	X
	aliphatic hydrocarbons			0	X	x	X

Other concentrations and media on request X = recommended, 0 = conditionally recommended, - = not recommended

Dimensions



Adhesive socket

Dimensions M 335

Welding socket

Measuring range l/h H2O	d	DN	G	dü	L	d	Z	Lm
50 - 500 100 - 1.000	32	25	1 1/2"	60	335	32	345	381
150 - 1.500 250 - 2.500	40	32	2"	72	335	40	345	385
200 - 2.000 300 - 3.000 600 - 6.000	50	40	2 1/4"	83	335	50	345	491
600 - 6.000 1.000 - 10.000 1.500 - 15.000	63	50	2 3/4"	103	335	63	345	399
2.000 - 20.000 3.000 - 30.000 8.000 - 60.000	75	65	3 1/2"	122	335	75	345	407

dimensions in mm

Dimensions M 350

Welding socket

Measuring range l/h H2O	d	DN	G	dü	L	d	Z	Lm
50 - 500 100 - 1.000	32	25	1 1/2"	60	350	32	360	396
150 - 1.500 250 - 2.500	40	32	2"	72	350	40	360	400
200 - 2.000 300 - 3.000 600 - 6.000	50	40	2 1/4"	83	350	50	360	406
600 - 6.000 1.000 - 10.000 1.500 - 15.000	63	50	2 3/4"	103	350	63	360	414
2.000 - 20.000 3.000 - 30.000 8.000 - 60.000	75	65	3 1/2"	122	350	75	360	422

dimensions in mm

Accessories

- limit switch Z40.1 min.
- limit switch Z42.1 max.

Technical data

Switching voltage*	max. 250 V~
Switching capacity*	max. 10 W/10 VA
Switching current*	max. 0.5 A
Contact resistance	< 150 mOhm
Insulation resistance	> 1011 Ohm
Permissible ambient temperature	0 to 55°C
Protection class acc. switch-on and switch-off hysteresis	DIN 40050-IP 65 1-2 mm float travel

* Even a brief overshoot is not permissible. Especially with inductive or capacitive peaks, such as solenoid valves, this is uncontrollable. It is therefore recommended to use a limit switch or a contact protection relay.

- Measuring sensor Z60
4-20 mA output signal

Technical data

- Supply voltage: 12-24 VDC (+ -10%)
- Current consumption: < 50 mA
- Load resistance: Min. 0 max. 500 Ohm
- Current output: 4-20 mA (3-wire)
- Protection class: IP 65 - Ambient temperature: 0 °C to +50 °C
- Connection: DIN 43650 connector - Measuring accuracy: < 1 %.

Electrical connection

- Pin 1: Supply voltage +
- Pin 2: Output signal 4-20 mA
- Pin 3: Supply voltage -

•Special scales

Available media:	Air 0 bar
	Air 1 bar *
	Air 2 bar *
	HCl 30-33%
	NaOH 30%
	NaOH 50%

*) ATTENTION: According to the EU directive, plastic flow meters may only be used with gaseous media up to max. 0.5 bar at 20°C. Praher warns and expressly excludes any warranty at higher pressures.



Praher Plastics Austria GmbH

Poneggenstraße 5
4311 Schwertberg
Österreich

T +43 7262 61178-0
F +43 7262 61203
sales@praherplastics.com

© Praher Plastics Austria GmbH
Zertifiziert nach / certified acc. to
EN ISO 9001:2015

DB/DEEN/23/07/477/A

Diese Druckschrift enthält keine
Gewährleistungszusagen, sondern will lediglich
eine erste Information vermitteln. Das Programm
wird ständig erweitert, daher entsprechen die
Ausführungen und Typen dem Stand bei
Drucklegung. Technische Änderungen
vorbehalten!

This document contains no warranties, but
simply conveys initial information. The program
is constantly expanding and therefore the
versions and types correspond to the state on
the date of printing. Subject to technical
changes!

