

Butterfly valve K4
with hand wheel and position feedback



General:

- Sealing materials: EPDM
FPM
- Body material: PP-GF
- Flap materials: PVC-U, PP-H, PVDF
- Dimensions: DN65 – DN250
d75 – d280
2 ½" – 10"
- Flange standards: DIN 2501 PN10
ANSI B 16,5 Class 150
JIS 10 K [for DN65-DN150 only*]
BS Table D&E
- Additional dimensions: DN65/d63
DIN 2501 PN10

* for mounting between JIS-Flanges DN200 please contact us
* installation between JIS flanges DN250 is not possible

Operating pressure:

PVC-U, PP, PVDF	DN65-DN200	PN10
PVC-U, PP, PVDF	DN250	PN8

Technical features

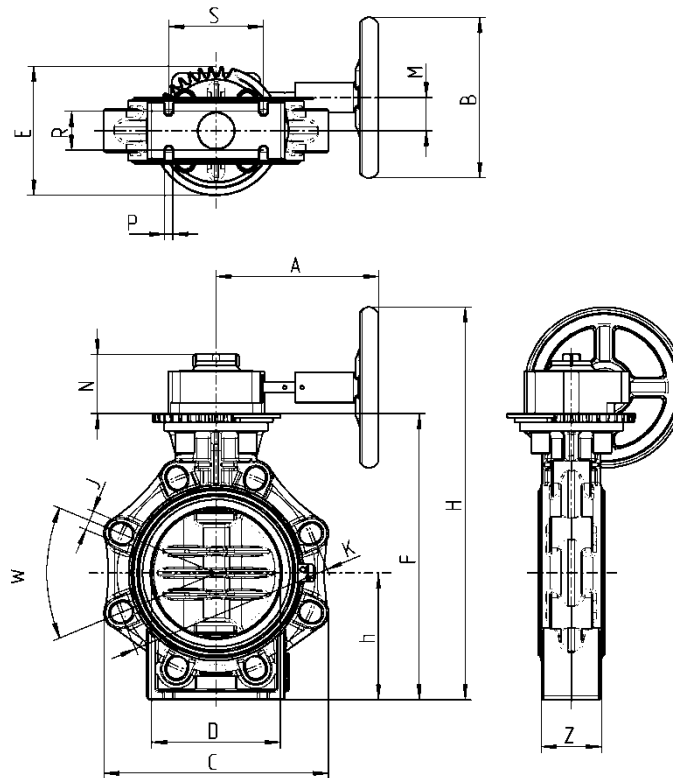
- only sleeve gasket and disc in touch with medium
- double sealed shaft
- integrated bracket for fix point mounting
- variable locking positions
90° ±5° adjustable
- fixed position of the disc due to self-locking gear mechanism
- smooth running of gear wheel due to high coefficient worm gear
- less space needed compared to hand lever
- gear protection IP65
- ambient temperature range for gear
-20°C to +120°C

This print contains no warranty promise, but it should give you some first information. The product range is extended continuously, therefore the versions and types correspond to the actual status of printing. Subject to technical modifications!

Butterfly valve K4
with hand wheel and position feedback



Dimensions:



DN	65	80	100	125	150	200	250
D	75	90	110	140	160	225	280
G	2 1/2"	3"	4"	5"	6"	8"	10"
W	90°	45°	45°	45°	45°	45°	30°
J	19	19	19	23	23	23	22 / 25,4
K	127-145	146-160	175-190,5	209,5-216	234,5-241,5	290-298,45	350-362
K-DIN	145	160	180	210	240	295	350
K-ANSI	139,7	152,4	190,5	215,9	241,3	298,45	362
D	65	80	100	125	150	200	231
C	133	176	206	234,5	261	314	392
Z	46	49	56	64	70	71	114
S	55	70	85	100	110	145	160
R	25	30	35	45	45	40	40
P	7	9	9	9	9	9	9
h	100	100	115	130	147,5	175	215
F	231,5	238,5	268,5	303,5	337,5	400	460
E	161	161	161	161	161	161	125
Gear	AB232-07LX						AB232-10LX
N	59	59	59	59	59	59	75,5
H	309,5	316,5	359	394	445,5	508	623,5
A	123	123	123	123	123	123	210
B	100	100	125	125	160	160	250
M	52,5	52,5	52,5	52,5	52,5	52,5	60

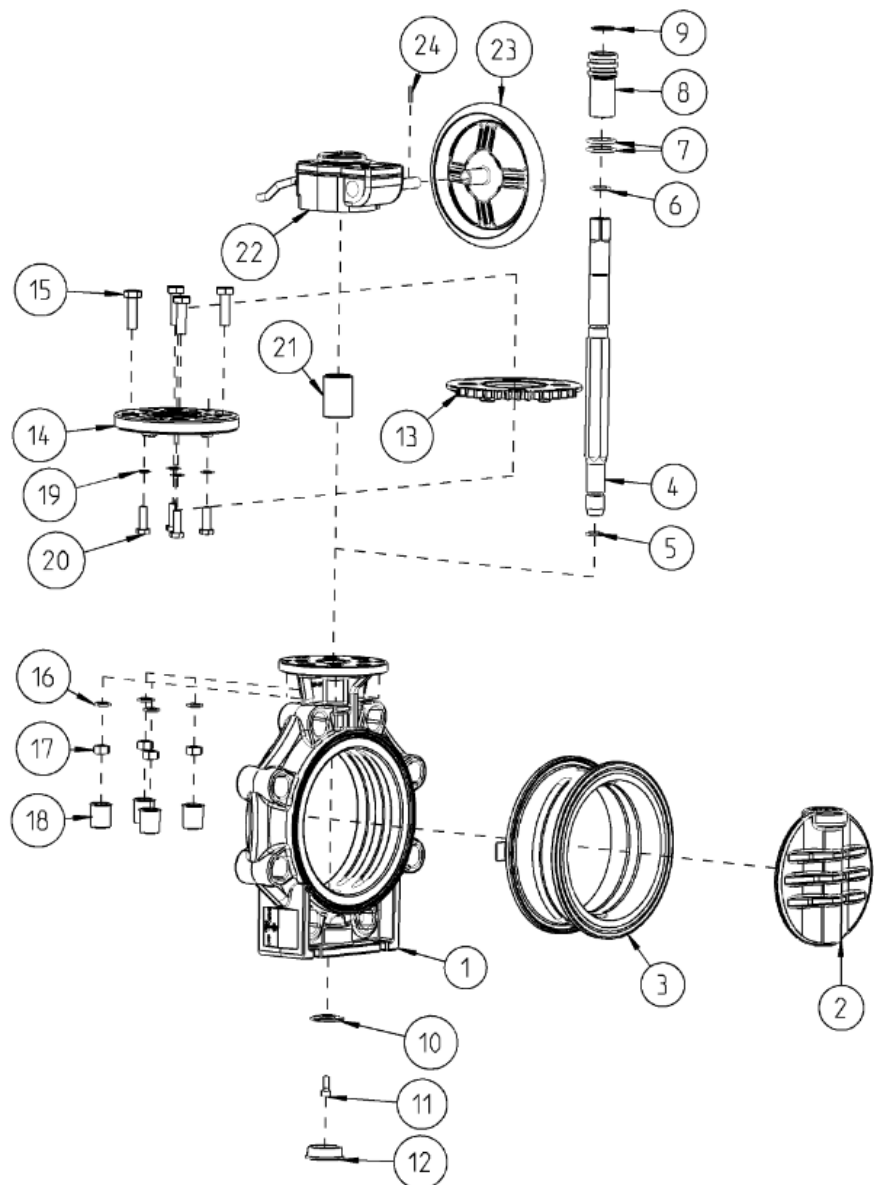
Dimensions in mm

Butterfly valve K4
with hand wheel and position feedback



Exploded Drawing:

1. Body
2. Flap
3. Sleeve
4. Shaft
5. Sealing shaft below
6. Sealing shaft above
7. Sealing pilot bushing
8. Pilot bushing
9. Retaining ring
10. Holding disc
11. Screw
12. Cap
13. Cover plate
14. Adapter plate*
15. Screw
16. Tooth wheels
17. Nuts
18. Caps
19. Tooth wheels
20. Screw
21. Coupling
22. Gear actuator
23. Handwheel
24. Coupling



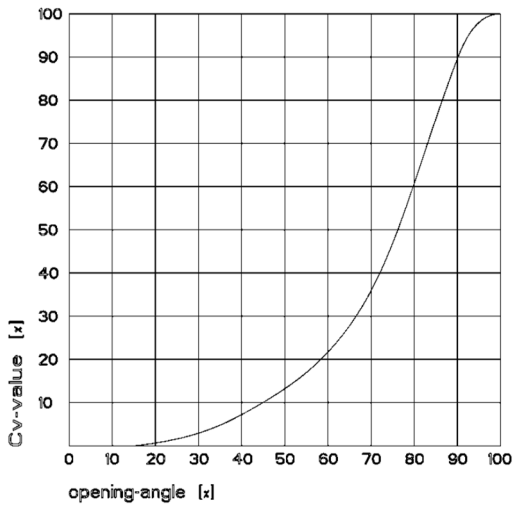
* DN250 without Adapter plate

Butterfly valve K4
with hand wheel and position feedback

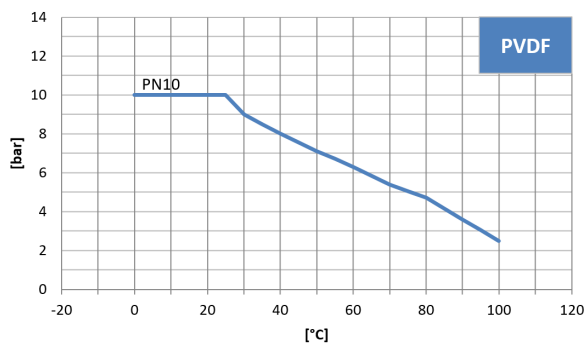
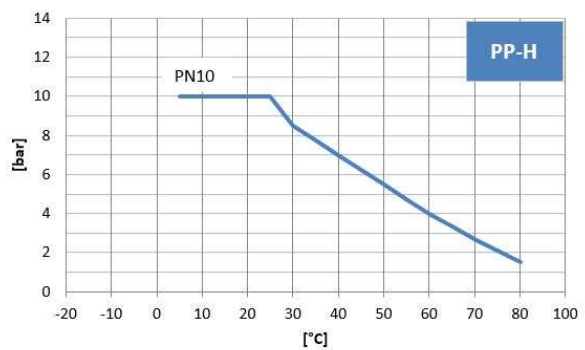
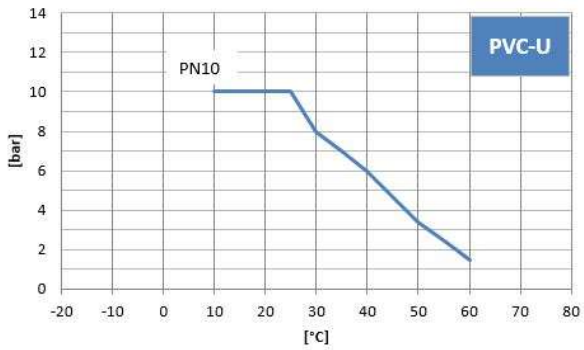


Diagrams:

Flow - characteristic



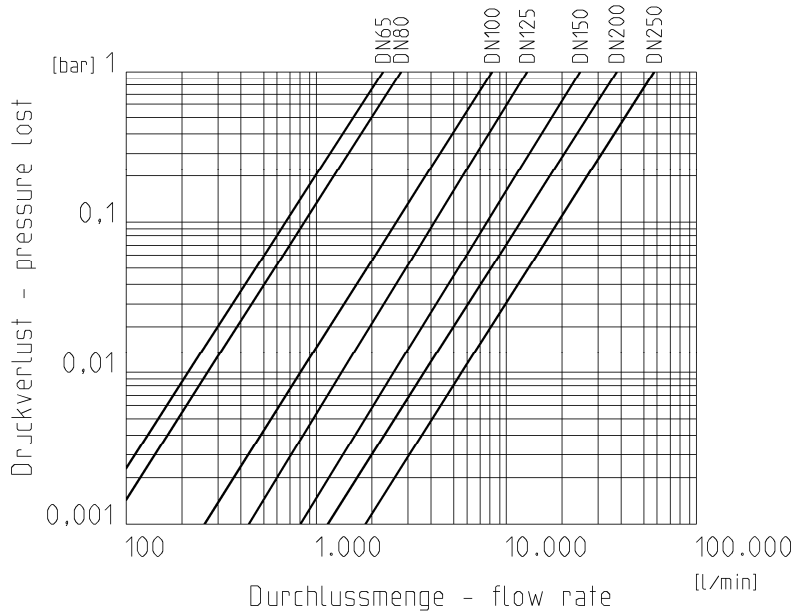
Pressure – Temperature – Diagrams



Butterfly valve K4
with hand wheel and position feedback



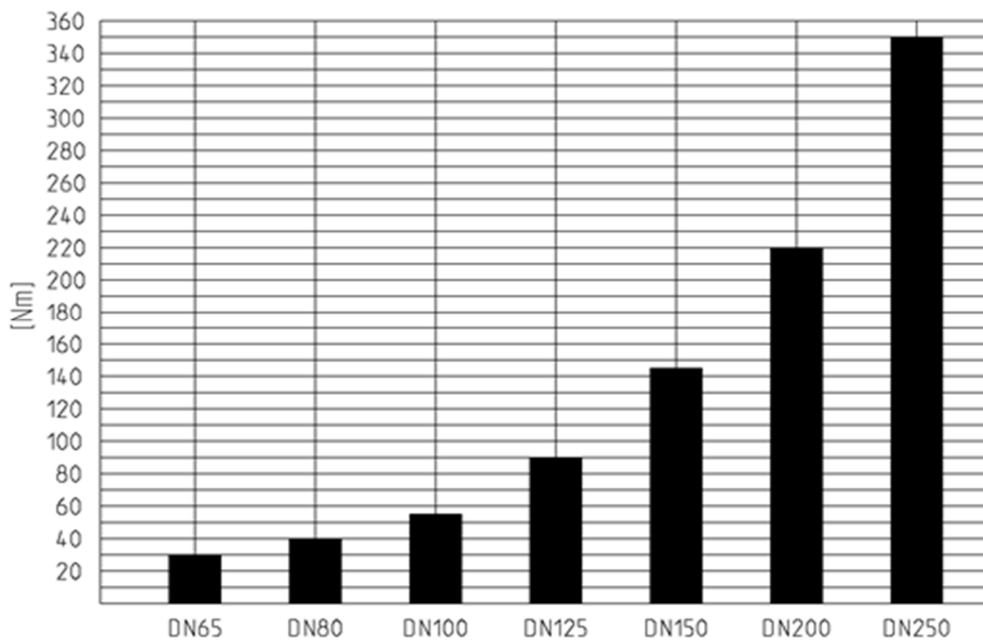
Pressure – loss – diagram



Cv value

Pressure - loss	DN65	DN80	DN100	DN125	DN150	DN200	DN250
0,001 bar	73 l/min	88 l/min	260 l/min	433 l/min	805 l/min	1200 l/min	1820 l/min
1 bar	2300 l/min	2800 l/min	8200 l/min	13700 l/min	25500 l/min	38000 l/min	57600 l/min

Torque



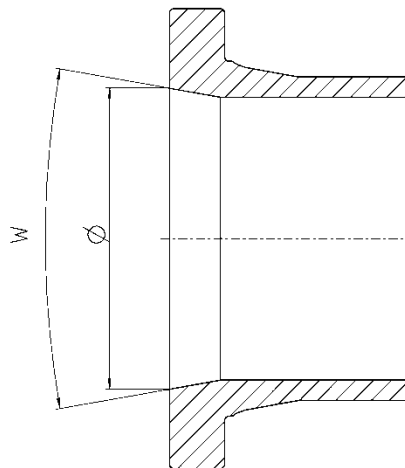
Butterfly valve K4
with hand wheel and position feedback

Tightening torque of screws for flange connections

DN	65	80	100	125	150	200	250
Nm	15	18	20	30	40	55	80

Installation in piping:

For a correct and complete opening of the flap, it is necessary that the used sockets and stub flanges have at least an inner diameter according to the table.



DN	d	Ø (mm)	w (°)
DN50*	d63*	60	40
DN65	d75	60	40
DN80	d90	77	40
DN100	d110	96,5	40
DN125	d140	121,5	40
DN150	d160	146,5	40
DN200	d225	203	40
DN250	d280	248	40

* Suitable only for DIN DN50 d63 sockets and stub flanges.

Butterfly valve K4
with hand wheel and position feedback

Wiring plan for position feedback

