

## Butterfly Valve K4 without operation element



### **General:**

- Seal materials: EPDM  
FPM
- Body material: PP-GF
- Flap material: PVC-C
- Dimensions: DN65 – DN100  
d75 – d110  
2 ½“ – 4“
- Flange standards: DIN 2501 PN 10  
ANSI B 16,5 Class150  
JIS 10 K  
BS Table D&E
- Additional dimension: DN65/d63  
DIN 2501 PN 10

### **Operating pressure:**

PVC-C PN10

### **Technical features:**

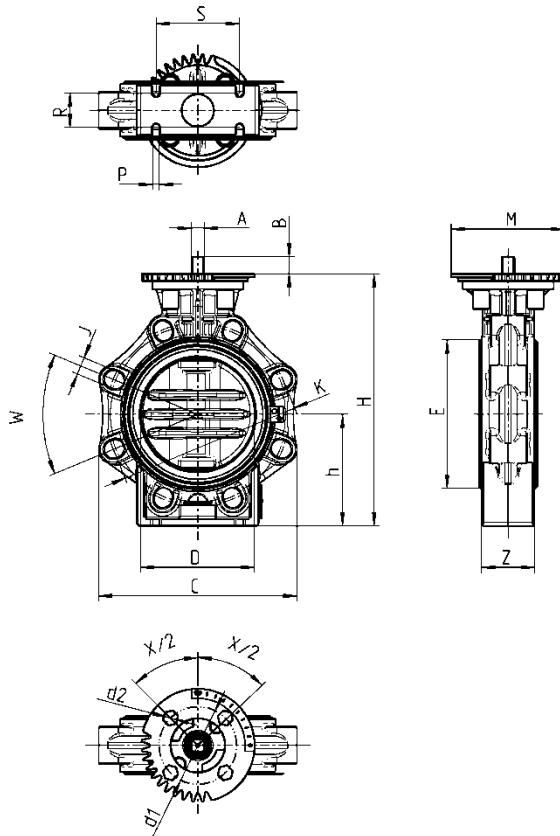
- only sleeve gasket and flap in touch with medium
- double sealed shaft
- integrated bracket for mix point mounting
- simple and quick assembling of the actuator without any extra parts

This document does not constitute a guarantee, it is for initial information purposes only. The product range is continually upgraded, the designs and types therefore only reflect the state of the art at the time of printing. Subject to technical modifications!

# Butterfly Valve K4 without operation element



**Dimensions:**



DN	65	80	100
d	75	90	110
G	2 1/2"	3"	4"
A	11	11	14
B	17,5	17,5	19,5
C	133	176	206
D	65	80	100
E	98	116	146
h	100	100	115
H	232	239	269
J	19	19	19
K	127-145	146-160	175-190,5
M	114	114	114
P	7	9	9
R	25	30	35
S	55	70	85
W	90°	45°	45°
Z	46	49	56
PN	10	10	10

Dimensions in mm

# Butterfly Valve K4

without operation element

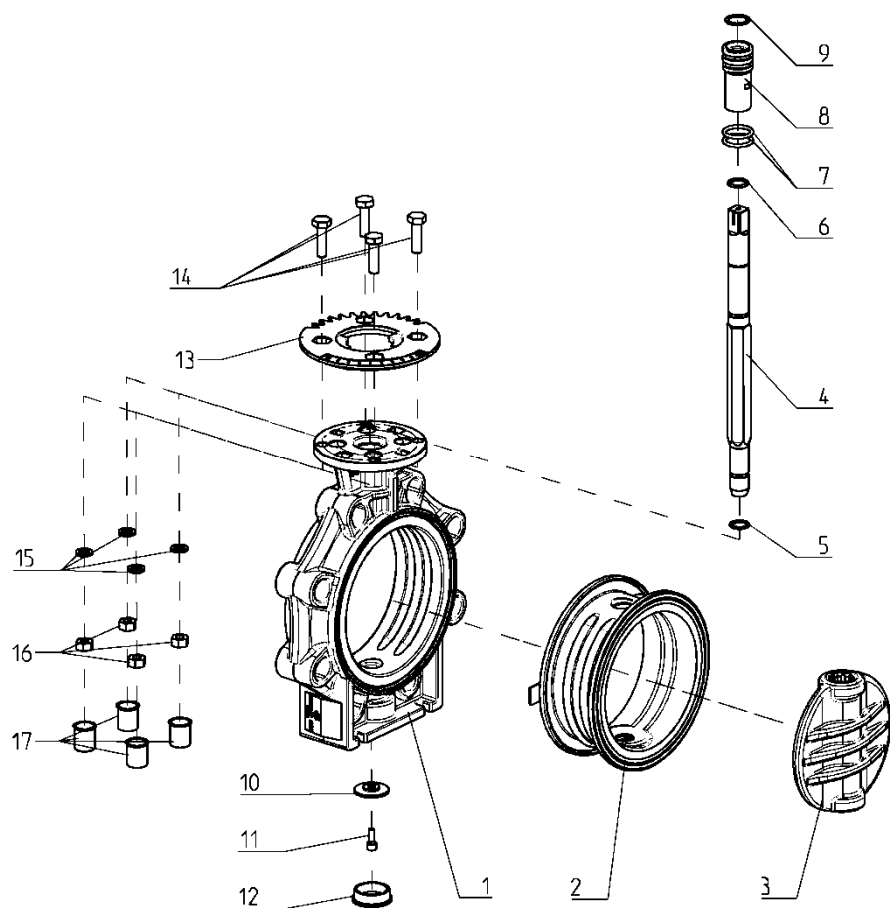
## Adapters of pivoting valves – flange dimensions

DN	Type of flange ISO 5211	d1	d2	X/2	A
65	F07	70	M8	45°	11
80	F07	70	M8	45°	11
100	F07	70	M8	45°	14

Dimensions in mm

### Exploded drawing:

- 01. Body
- 02. Sleeve
- 03. Disc
- 04. Shaft
- 05. Seal shaft below
- 06. Seal shaft above
- 07. Seal pilot bushing
- 08. Pilot bushing
- 09. Retaining ring
- 10. Holding disc
- 11. Screw
- 12. Cap
- 13. Cover plate
- 14. Screws
- 15. Tooth wheels
- 16. Nuts
- 17. Caps



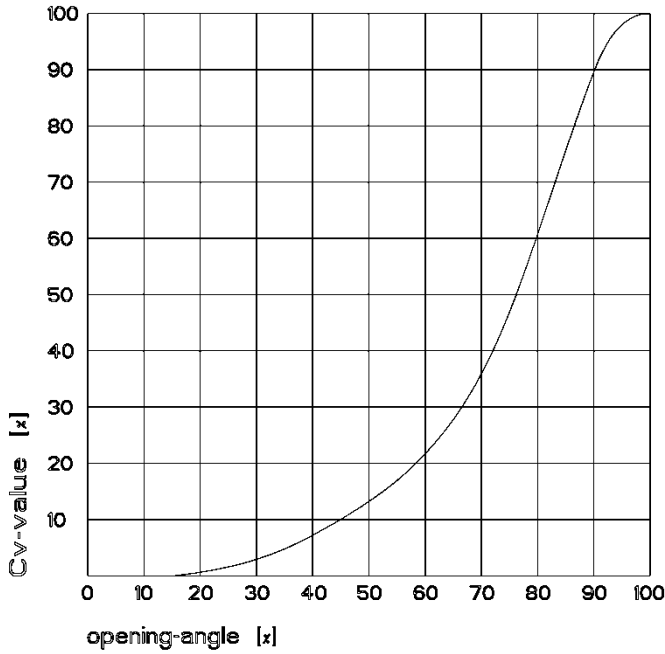
# Butterfly Valve K4

without operation element

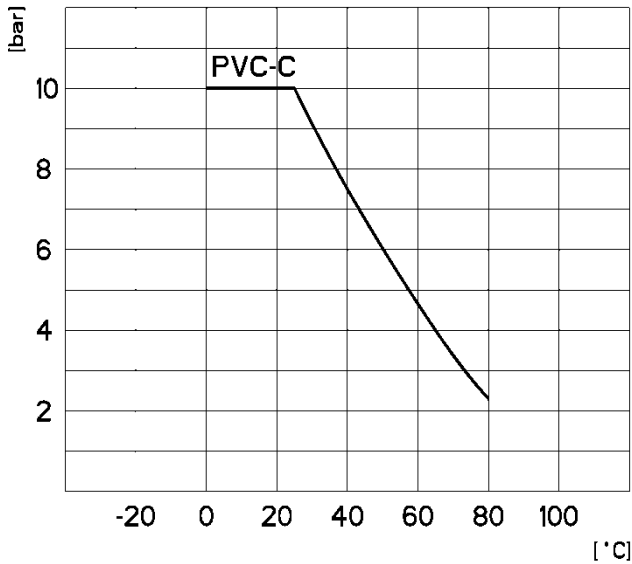


## Diagrams:

### Flow - characteristic



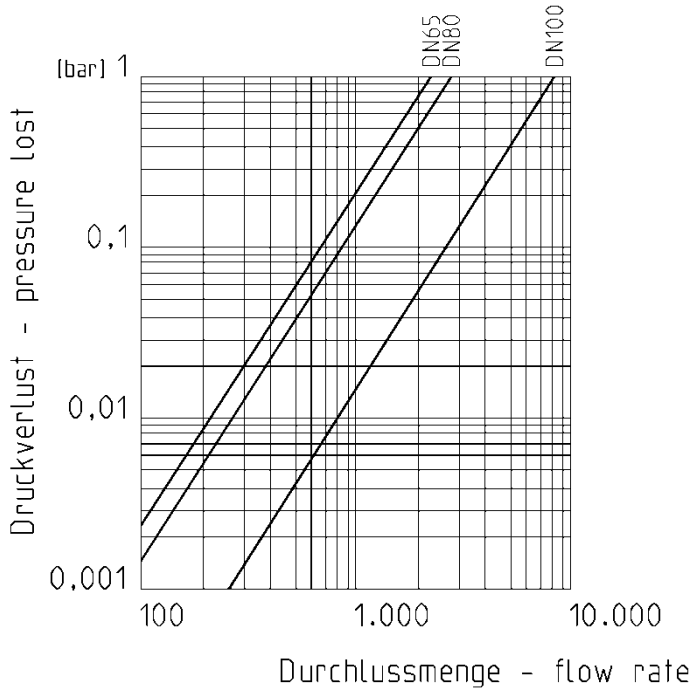
### Pressure – temperature – diagram



# Butterfly Valve K4 without operation element



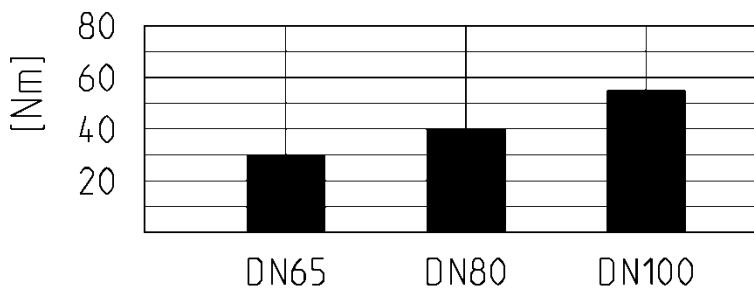
## Pressure – loss - diagram



## Kv value table

Pressure loss	DN65	DN80	DN100
0,001 bar	73 l/min	88 l/min	260 l/min
1 bar	2300 l/min	2800 l/min	8200 l/min

## Torque



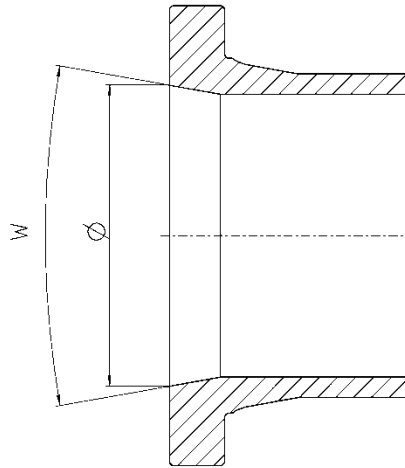
## Tightening torque of screws for flange connections

DN	65	80	100
Nm	15	18	20

## Butterfly Valve K4 without operation element

### Installation in piping:

For a correct and complete opening of the flap, it is necessary that the used sockets and stub flanges have at least an inner diameter according to the table.



DN	d	Ø (mm)	w (°)
DN50*	d63*	60	40
DN65	d75	60	40
DN80	d90	77	40
DN100	d110	96,5	40

\* Suitable only for **DIN** DN50 d63 sockets and stub flanges.