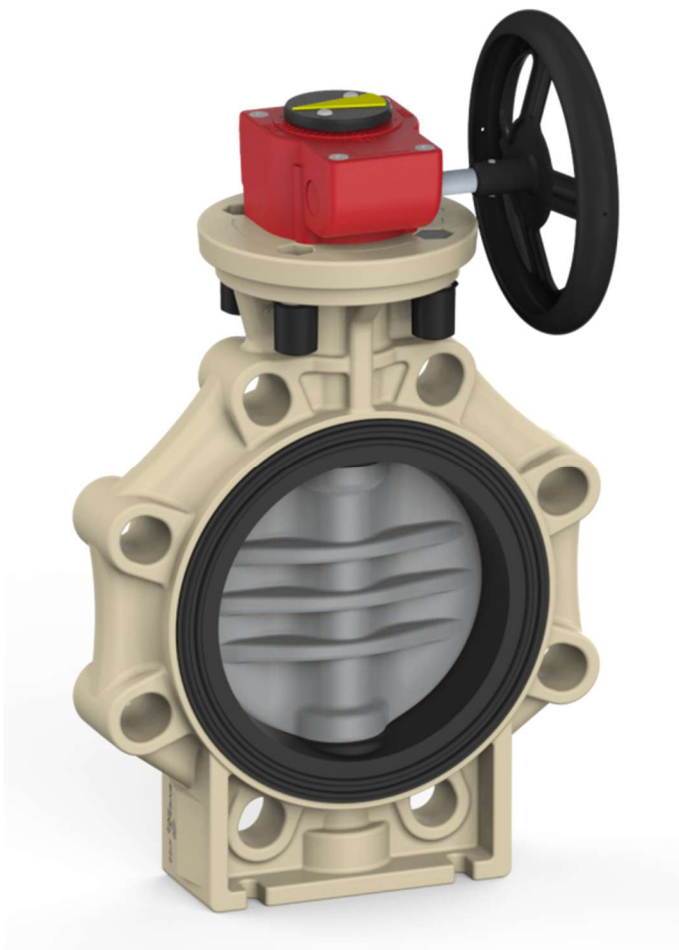


## Butterfly valve K4 with hand wheel



### **General:**

- Sealing materials: EPDM  
FPM
- Body material: PP-GF
- Klappenwerkstoffe: PVC-C
- Dimensions: DN65 – DN100  
d75 – d110  
2 ½" – 4"
- Flange standards: DIN 2501 PN10  
ANSI B 16,5 Class 150  
JIS 10 K  
BS Table D&E
- Additional dimensions: DN65/d63  
DIN 2501 PN10

### **Operating pressure:**

PVC-C PN10

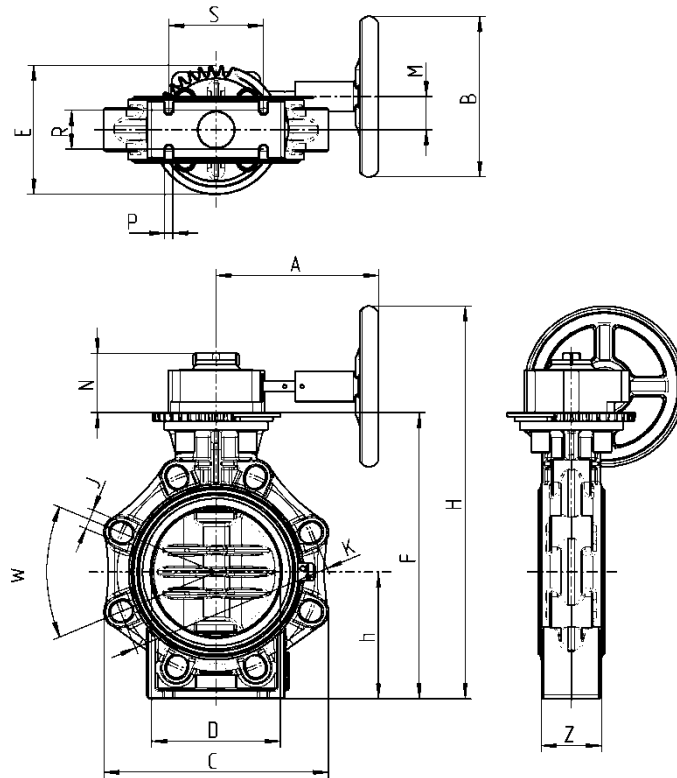
### **Technical features**

- only sleeve gasket and flap in touch with medium
- double sealed shaft
- integrated bracket for fix point mounting
- variable locking positions  
90° ±5° adjustable
- fixed position of the disc due to self-locking gear mechanism
- smooth running of gear wheel due to high coefficient worm gear
- less space needed compared to hand lever
- gear protection IP67
- ambient temperature range for gear mechanism - 20°C bis +80°C
- Optional available with position feedback

This document does not constitute a guarantee, it is for initial information purposes only. The product range is continually upgraded, the designs and types therefore only reflect the state of the art at the time of printing. Subject to technical modifications!

## Butterfly valve K4 with hand wheel

**Dimensions:**



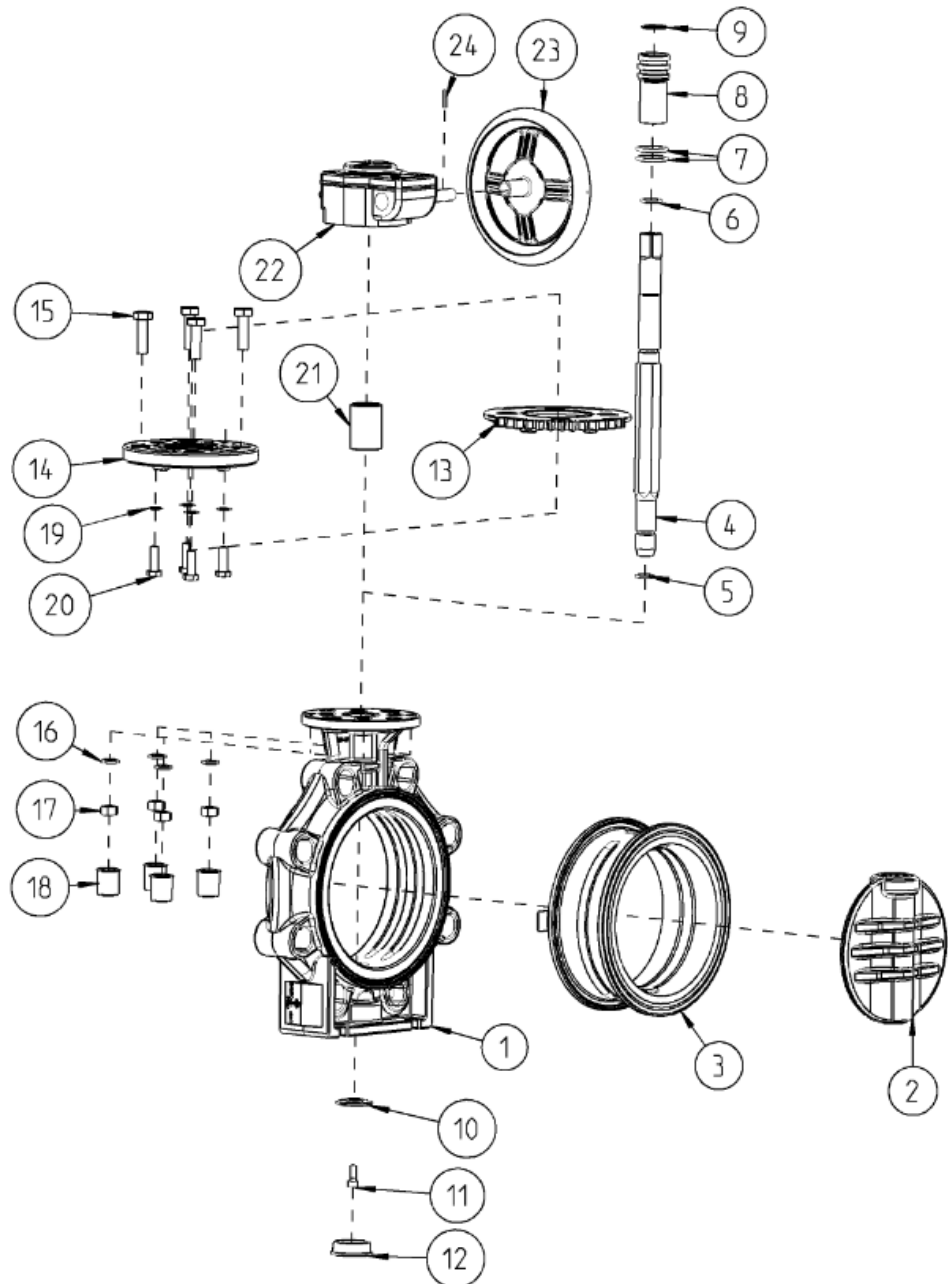
DN	65	80	100
D	75	90	110
G	2 1/2"	3"	4"
W	90°	45°	45°
J	19	19	19
K	127 – 145	146 – 160	175 – 190,5
K-DIN	145	160	180
K-ANSI	139,7	152,4	190,5
D	65	80	100
C	133	176	206
Z	46	49	56
S	55	70	85
R	25	30	35
P	7	9	9
h	100	100	115
F	232	239	269
N	52	52	52
H	308	315	357,5
A	120	120	121
B	100	100	125
M	42,5	42,5	42,5
E	114	114	114

Dimensions in mm

# Butterfly valve K4 with hand wheel

**Exploded Drawing:**

1. Body
2. Flap
3. Sleeve
4. Shaft
5. Sealing shaft below
6. Sealing shaft above
7. Sealing pilot bushing
8. Pilot bushing
9. Retaining ring
10. Holding disc
11. Screw
12. Cap
13. Cover plate
14. Adapter plate
15. Screw
16. Tooth wheels
17. Nuts
18. Caps
19. Tooth wheels
20. Screw
21. Coupling
22. Gear actuator
23. Handwheel
24. Coupling

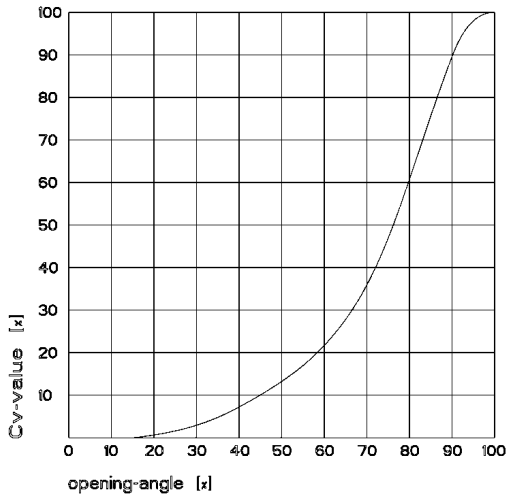


# Butterfly valve K4 with hand wheel

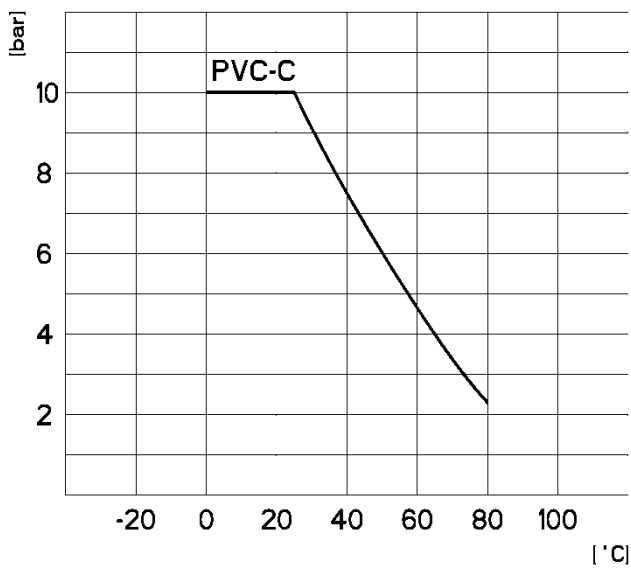


## Diagrams:

### Flow - characteristic

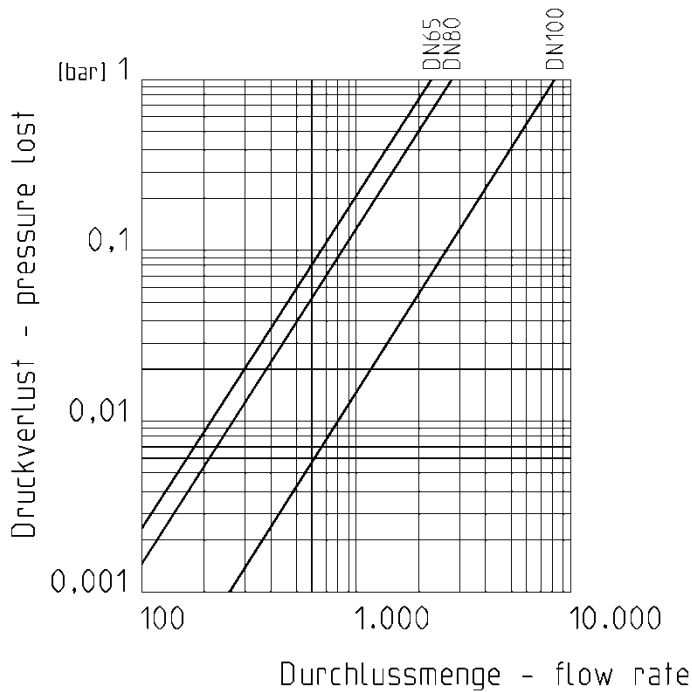


### Pressure – temperature - diagram



## Butterfly valve K4 with hand wheel

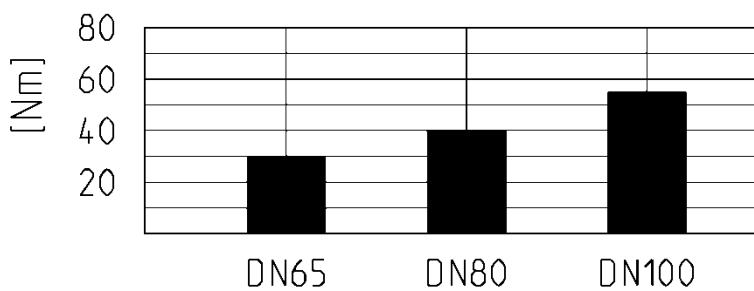
### Pressure – loss - diagram



### Cv value table

Pressure loss	DN65	DN80	DN100
0,001 bar	73 l/min	88 l/min	260 l/min
1 bar	2.300 l/min	2.800 l/min	8.200 l/min

### Torque



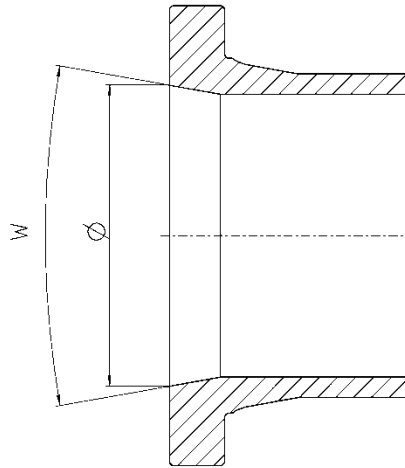
### Tightening torque of screws for flange connections

DN	65	80	100
Nm	15	18	20

## Butterfly valve K4 with hand wheel

### Installation in piping:

For a correct and complete opening of the flap, it is necessary that the used sockets and stub flanges have at least an inner diameter according to the table.



DN	d	Ø (mm)	w (°)
DN50*	d63*	60	40
DN65	d75	60	40
DN80	d90	77	40
DN100	d110	96,5	40

\* Suitable only for **DIN** DN50 d63 sockets and stub flanges.