

Butterfly valve K4
with hand wheel and position feedback



General:

- Sealing materials: EPDM
FPM
- Body material: PP-GF
- Flap material: PVC-C
- Dimensions: DN65 – DN100
d75 – d110
2 ½" – 4"
- Flange standards: DIN 2501 PN10
ANSI B 16,5 Class 150
JIS 10 K
BS Table D&E
- Additional dimensions: DN65/d63
DIN 2501 PN10

Operating pressure:

PVC-C PN10

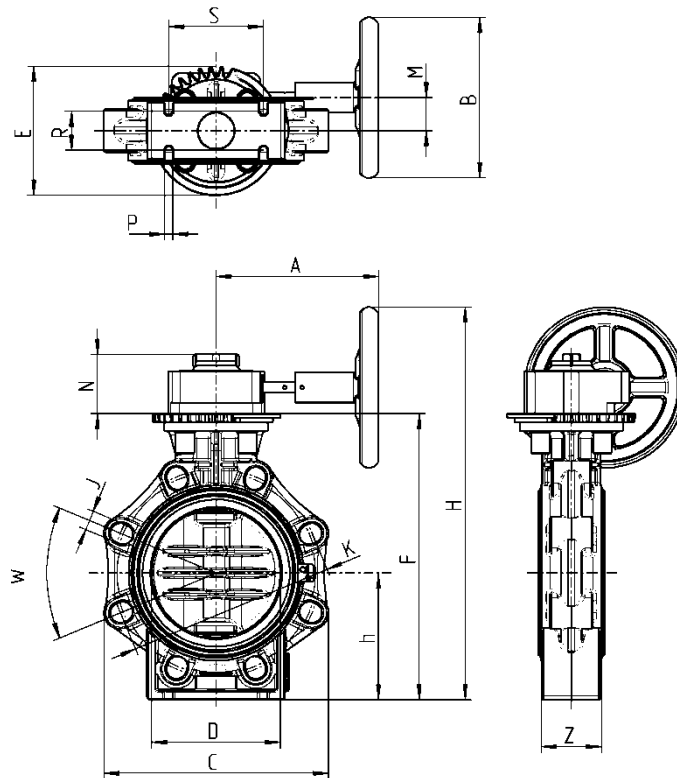
Technical features

- only sleeve gasket and disc in touch with medium
- double sealed shaft
- integrated bracket for fix point mounting
- variable locking positions
90° ±5° adjustable
- fixed position of the disc due to self-locking gear mechanism
- smooth running of gear wheel due to high coefficient worm gear
- less space needed compared to hand lever
- gear protection IP65
- ambient temperature range for gear
-20°C to +120°C

This print contains no warranty promise, but it should give you some first information. The product range is extended continuously, therefore the versions and types correspond to the actual status of printing. Subject to technical modifications!

Butterfly valve K4
with hand wheel and position feedback

Dimensions:



DN	65	80	100
D	75	90	110
G	2 1/2"	3"	4"
W	90°	45°	45°
J	19	19	19
K	127 – 145	146 – 160	175 – 190,5
K-DIN	145	160	180
K-ANSI	139,7	152,4	190,5
D	65	80	100
C	133	176	206
Z	46	49	56
S	55	70	85
R	25	30	35
P	7	9	9
h	100	100	115
F	232	239	269
N	52	52	52
H	308	315	357,5
A	120	120	121
B	100	100	125
M	42,5	42,5	42,5
E	114	114	114

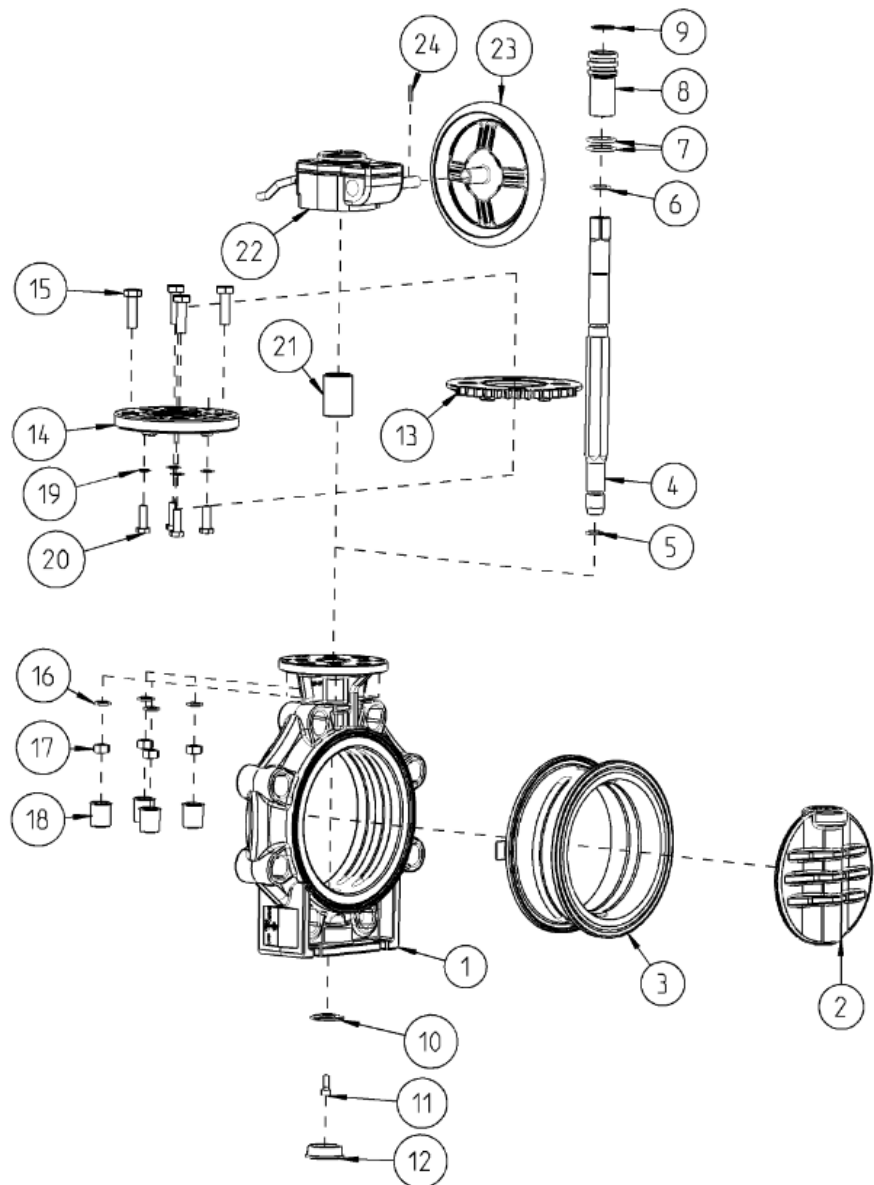
Dimensions in mm

Butterfly valve K4
with hand wheel and position feedback



Explosionszeichnung:

1. Body
2. Flap
3. Sleeve
4. Shaft
5. Sealing shaft below
6. Sealing shaft above
7. Sealing pilot bushing
8. Pilot bushing
9. Retaining ring
10. Holding disc
11. Screw
12. Cap
13. Cover plate
14. Adapter plate
15. Screw
16. Tooth wheels
17. Nuts
18. Caps
19. Tooth wheels
20. Screw
21. Coupling
22. Gear actuator
23. Handwheel
24. Coupling

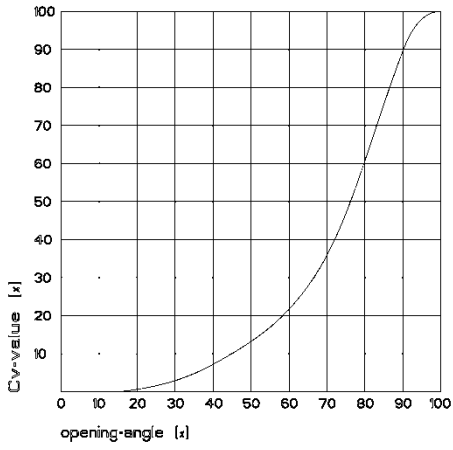


Butterfly valve K4 with hand wheel and position feedback

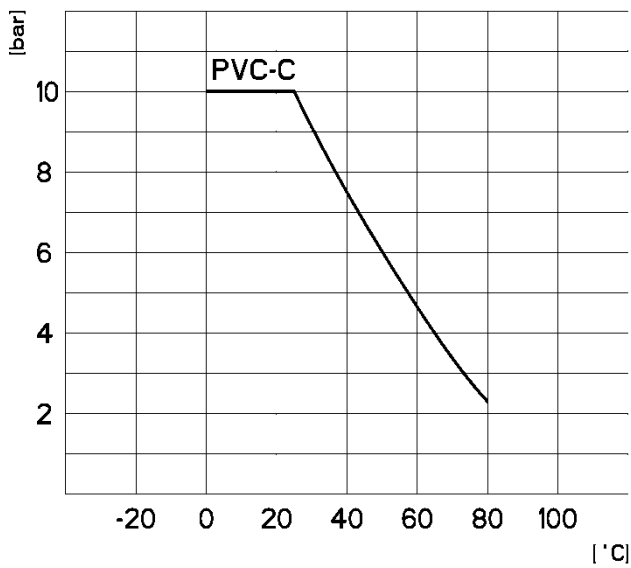


Diagrams:

Flow - characteristics



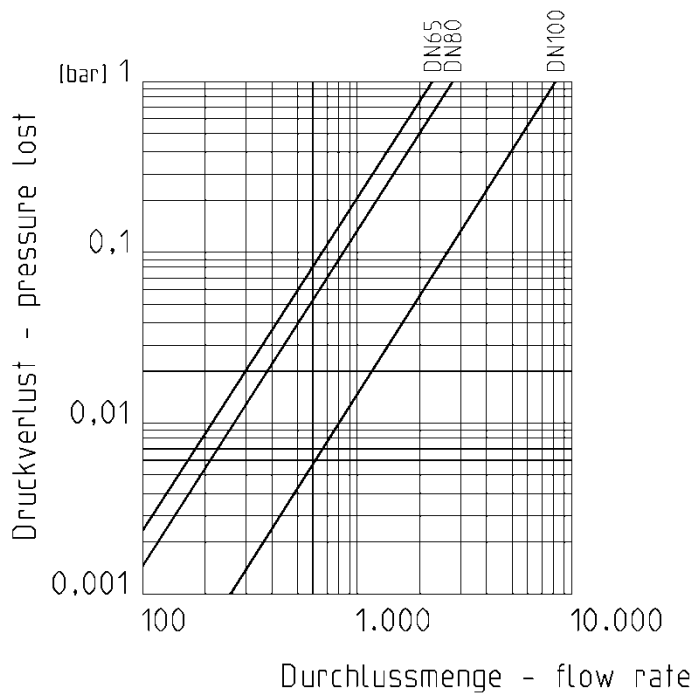
Pressure – temperature - diagram



Butterfly valve K4
with hand wheel and position feedback



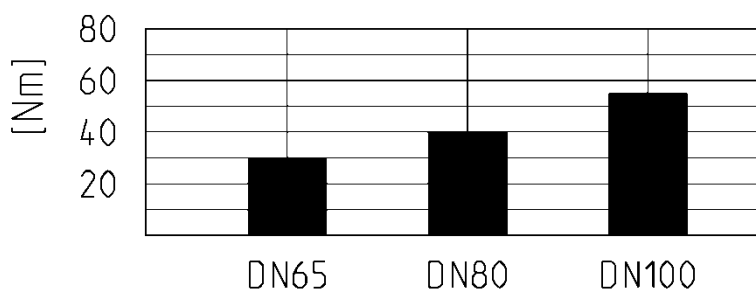
Pressure – loss - diagram



Cv value table

Pressure loss	DN65	DN80	DN100
0,001 bar	73 l/min	88 l/min	260 l/min
1 bar	2.300 l/min	2.800 l/min	8.200 l/min

Torque



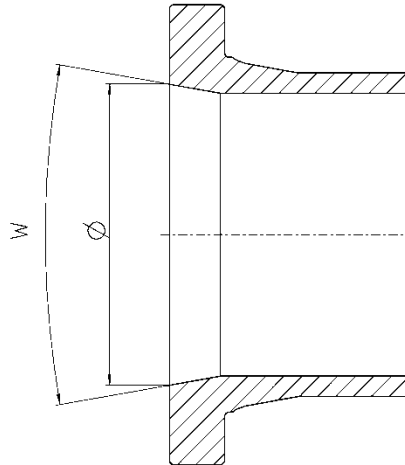
Tightening torque for screws for flange connections

DN	65	80	100
Nm	15	18	20

Butterfly valve K4
with hand wheel and position feedback

Installation in piping:

For a correct and complete opening of the flap, it is necessary that the used sockets and stub flanges have at least an inner diameter according to the table.



DN	d	Ø (mm)	w (°)
DN50*	d63*	60	40
DN65	d75	60	40
DN80	d90	77	40
DN100	d110	96,5	40

* Suitable only for **DIN** DN50 d63 sockets and stub flanges.

Butterfly valve K4
with hand wheel and position feedback

Wiring plan for position feedback

