

Butterfly Valve K4 with hand lever



General:

- Seal materials: EPDM
FPM
- Body material: PP-GF
- Flap material: PVC-C
- Dimensions: DN65 – DN100
d75 – d110
2 ½" – 4"
- Flange standards: DIN 2501 PN 10
ANSI B 16,5 Class150
JIS 10 K
BS Table D&E
- Additional dimension: DN65/d63
DIN 2501 PN 10

Operating pressure:

PVC-C PN10

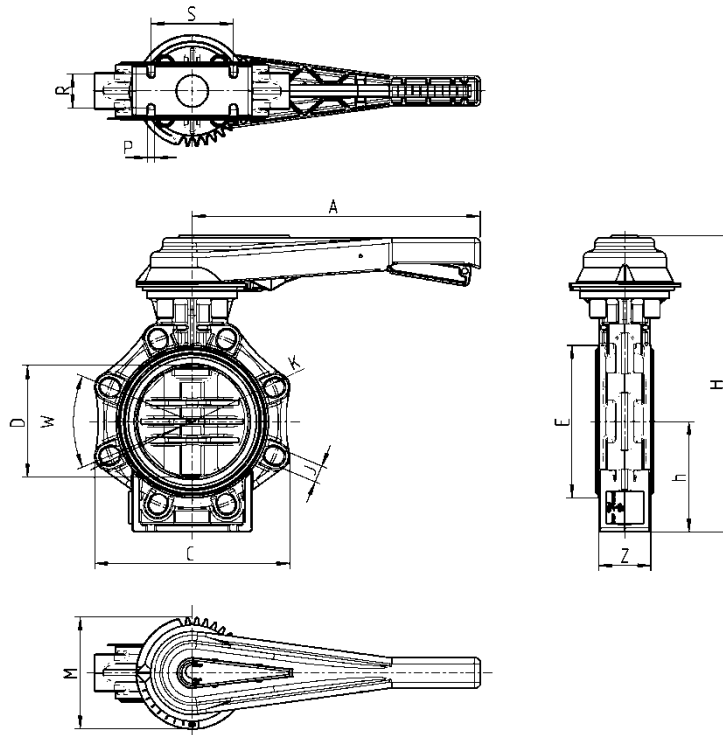
Technical features:

- only sleeve gasket and flap in touch with medium
- double sealed shaft
- integrated bracket for fix point mounting
- simple and quick assembling of the actuator without any extra parts
- 10 different disc locking positions
- reliable „Locking-handle-system“
- Hand lever with marking plate (different colours available)
- Metal adapter between handle and shaft avoids abrasion of the handle

This document does not constitute a guarantee, it is for initial information purposes only. The product range is continually upgraded, the designs and types therefore only reflect the state of the art at the time of printing. Subject to technical modifications!

Butterfly Valve K4 with hand lever

Dimensions:



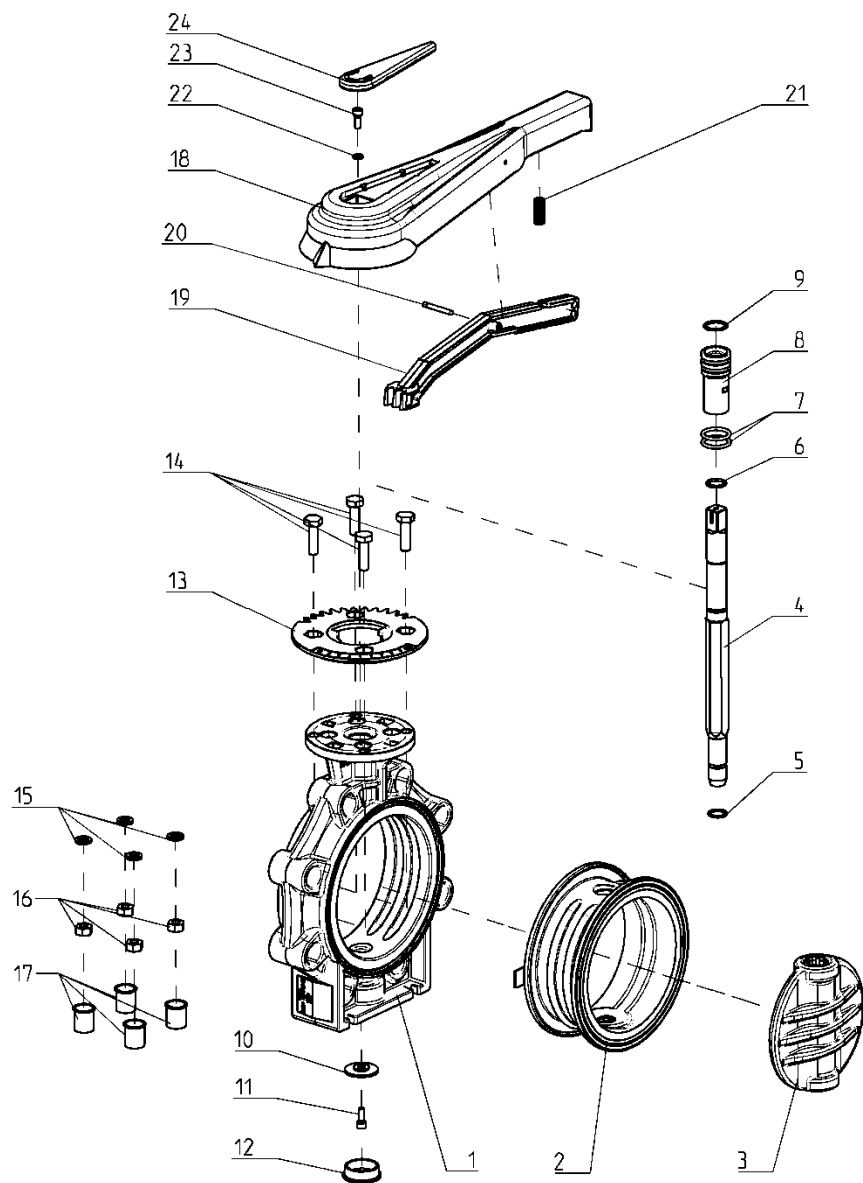
DN	65	80	100
d	75	90	110
G	2 1/2"	3"	4"
A	230	230	300
D	65	80	100
C	133	176	206
W	90°	45°	45°
J	19	19	19
K	127 – 145	146 – 160	175 – 190,5
H	285	292	322
h	100	100	115
E	98	116	146
M	114	114	114
Z	46	49	56
S	55	70	85
R	25	30	35
P	7	9	9
PN	10	10	10

Dimensions in mm

Butterfly Valve K4 with hand lever

Exploded drawing:

- 01. Body
- 02. Sleeve
- 03. Flap
- 04. Shaft
- 05. Seal shaft below
- 06. Seal shaft above
- 07. Seal pilot bushing
- 08. Pilot bushing
- 09. Retaining ring
- 10. Holding disc
- 11. Screw
- 12. Cap
- 13. Cover plate
- 14. Screws
- 15. Tooth wheel
- 16. Nuts
- 17. Caps
- 18. Handle
- 19. Lever
- 20. Pin
- 21. Spring
- 22. Washer
- 23. Screw
- 24. Marking plate

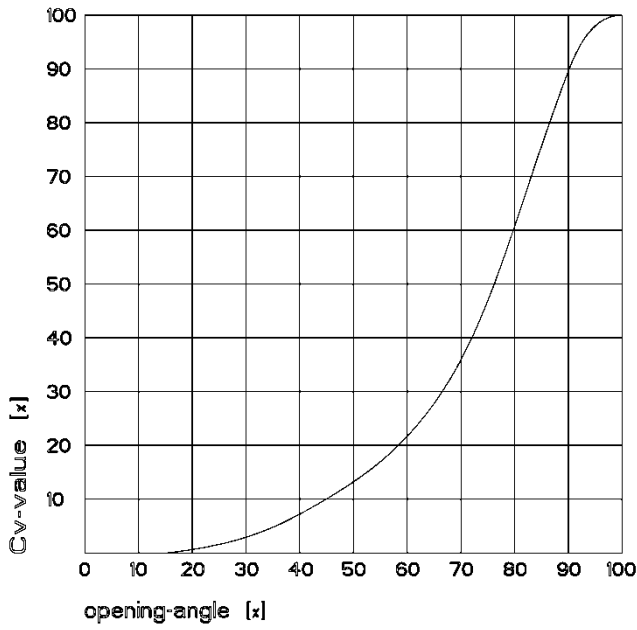


Butterfly Valve K4 with hand lever

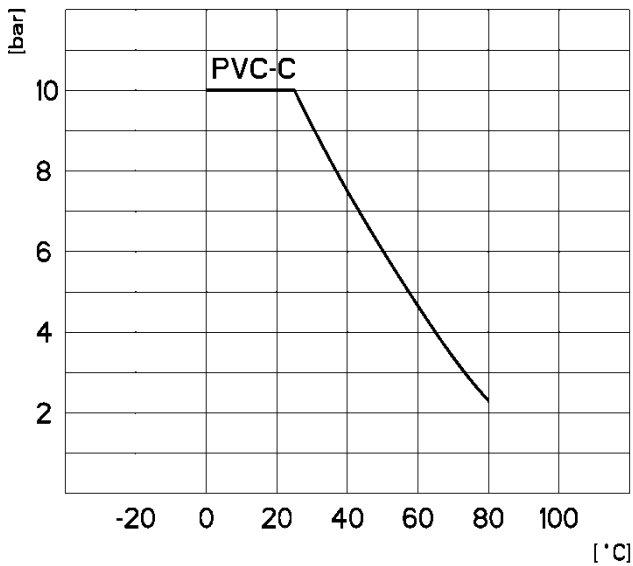


Diagrams:

Flow - characteristic



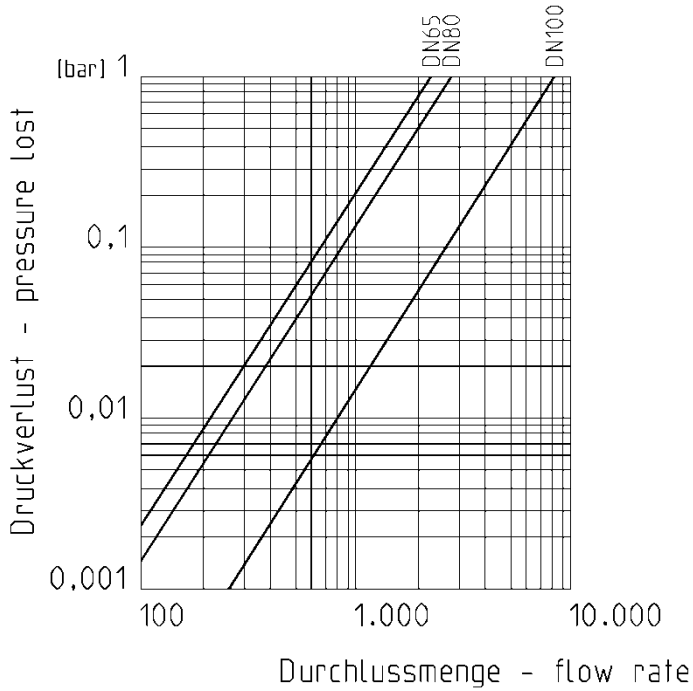
Pressure – temperature – diagram



Butterfly Valve K4 with hand lever



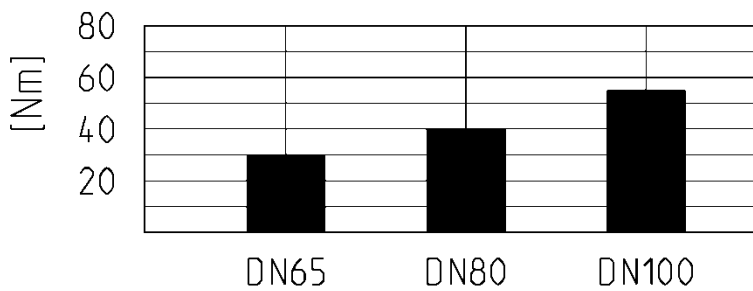
Pressure – loss - diagram



Kv value table

Pressure loss	DN65	DN80	DN100
0,001 bar	73 l/min	88 l/min	260 l/min
1 bar	2300 l/min	2800 l/min	8200 l/min

Torque



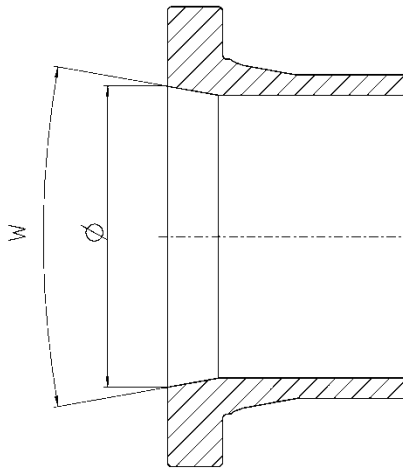
Tightening torque of screws for flange connections

DN	65	80	100
Nm	15	18	20

Butterfly Valve K4 with hand lever

Installation in piping:

For a correct and complete opening of the flap, it is necessary that the used sockets and stub flanges have at least an inner diameter according to the table.



DN	d	Ø (mm)	w (°)
DN50*	d63*	60	40
DN65	d75	60	40
DN80	d90	77	40
DN100	d110	96,5	40
DN125	d140	121,5	40
DN150	d160	146,5	40
DN200	d225	203	40

* Suitable only for **DIN** DN50 d63 sockets and stub flanges.