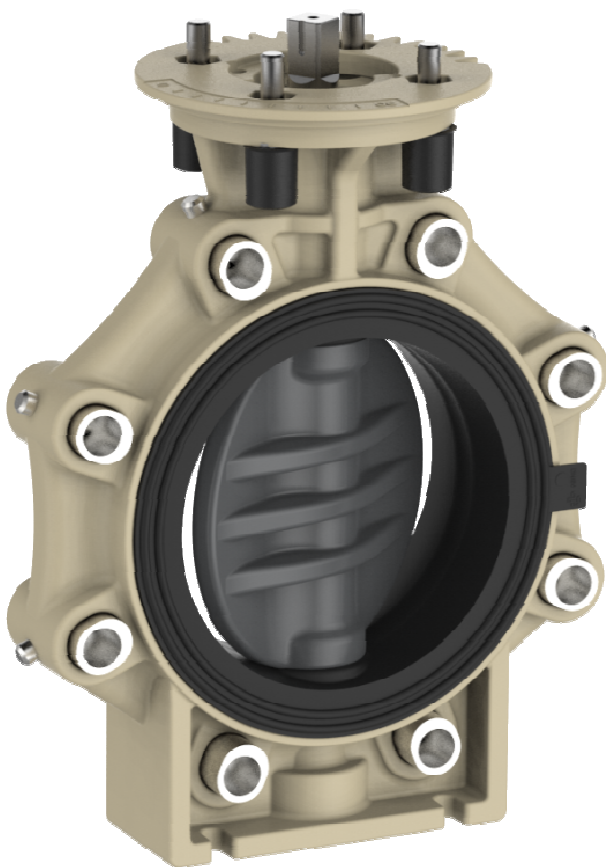


Butterfly valve K4 Lug-Type without operation element



General:

- Sealing materials: EPDM
FPM
- Body material: PP-GF
- Flap material: PVC-U, PP-H, PVDF
- Dimensions: DN65 – DN200
d75 – d225
2 1/2" – 8"
- Flange standards: DIN 2501 PN10
ANSI B 16,5 Class 150
- Additional dimensions: DN65/d63 PVC-U
DIN 2501 PN10
- Insert material: INOX A4
- Pin material: INOX A2

Operating pressure:

PVC-U, PP-H, PVDF

Used as intermediate butterfly valve: PN10

Technical features:

- Only sleeve gasket and flap in touch with medium
- Double sealed shaft
- Integrated bracket for mix point mounting
- Simple and quick assembling of the actuator without any extra parts
- If used as End-of-line valve a blind flange has to be mounted on the free connection side.
- Pressure has to be reduced if a flange is disassembled on one side
 - DN65 to DN125 → max. 6bar
 - DN150 to DN200 → max. 4bar

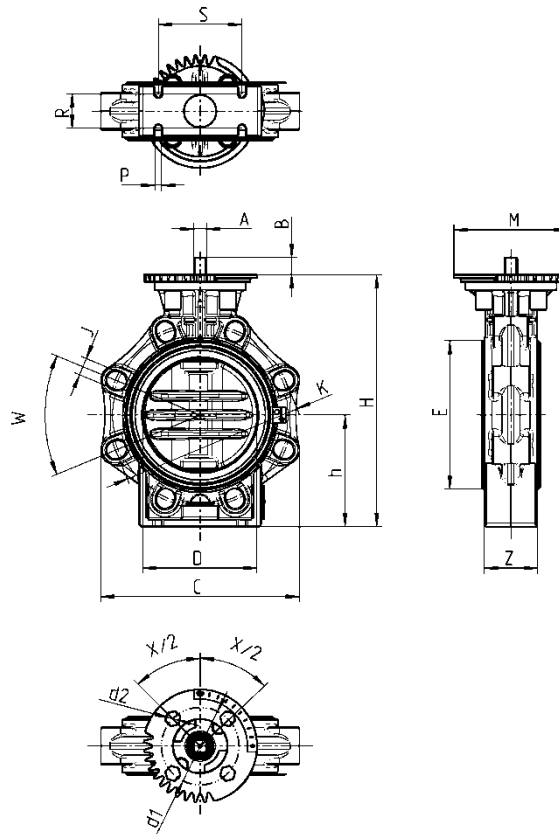
Only temporary usage

This document does not constitute a guarantee, it is for initial information purposes only. The product range is continually upgraded, the designs and types therefore only reflect the state of the art at the time of printing. Subject to technical modifications!

Butterfly valve K4 Lug-Type without operation element



Dimensions:



							With adapter plate	
DN	65	80	100	125	150	200	150	200
d	75	90	110	140	160	225	160	225
G	2 1/2"	3"	4"	5"	6"	8"	6"	8"
A	11	11	14	14	17	17	17	17
B	17,5	17,5	19,5	19,5	23	23	23	23
C	133	176	206	234,5	261	314	261	314
D	65	80	100	125	150	200	150	200
E	98	116	146	170	196	251	196	251
h	100	100	115	130	147,5	175	147,5	175
H	232	239	269	303,5	333	395	333	395
J	19	19	19	23	23	23	23	23
K	127-145	146-160	175-190,5	209,5-216	234,5-241,5	290-298,45	234,5-241,5	290-298,45
K-DIN	145	160	180	210	240	295	240	295
K-ANSI	139,7	152,4	190,5	215,9	241,3	298,5	241,3	298,45
M	114	114	114	114	150	150	138	138
P	7	9	9	9	9	9	9	9
R	25	30	35	45	45	40	45	40
S	55	70	85	100	110	145	110	145
W	90°	45°	45°	45°	45°	45°	45°	45°
Z	46	49	56	64	70	71	70	71

Butterfly valve K4 Lug-Type without operation element



Dimensions in mm

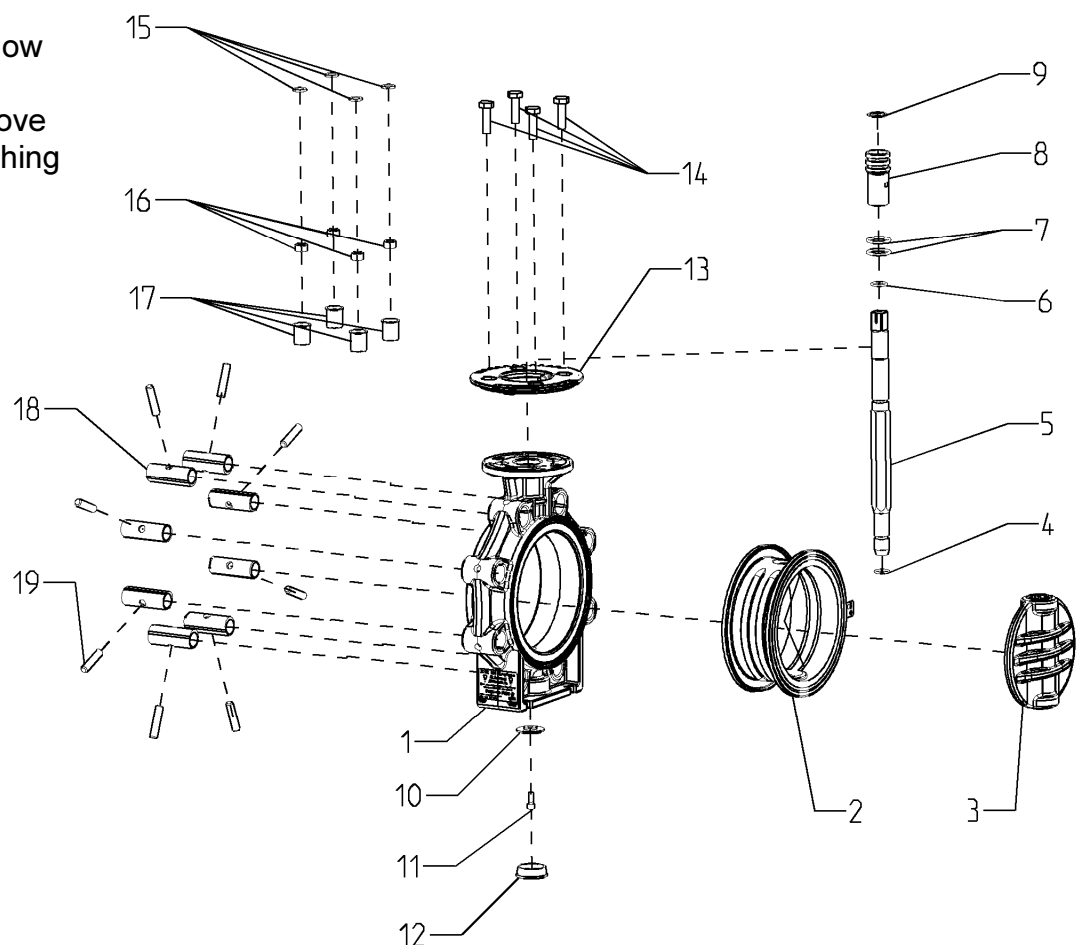
Adapters of pivoting valves – flange dimensions

DN	Flange type ISO 5211	d1	d2	X/2	A
65	F07	70	M8	45°	11
80	F07	70	M8	45°	11
100	F07	70	M8	45°	14
125	F07	70	M8	45°	14
150	F10	102	M10	45°	17
200	F10	102	M10	45°	17
with adapter plate					
150	F07	70	M8	45°	17
200	F07	70	M8	45°	17

Dimensions in mm

Exploded drawing:

01. Body
02. Sleeve
03. Flap
04. Sealing shaft below
05. Shaft
06. Sealing shaft above
07. Sealing pilot bushing
08. Pilot bushing
09. Retaining ring
10. Holding disc
11. Screw
12. Cap
13. Cover plate
14. Screws
15. Tooth wheels
16. Nuts
17. Caps
18. Inserts
19. Pins



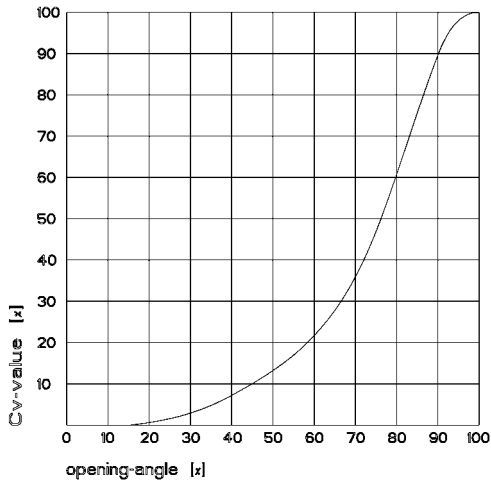
© Praher Plastics Austria GmbH DB/DEEN/23/06/41/0/B Subject to technical modifications!

Butterfly valve K4 Lug-Type without operation element

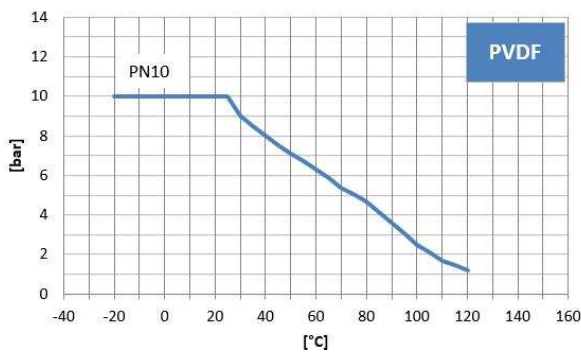
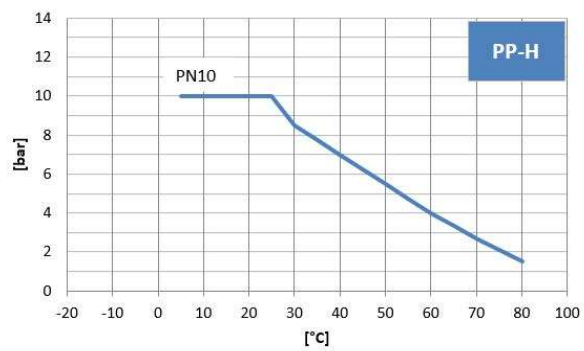
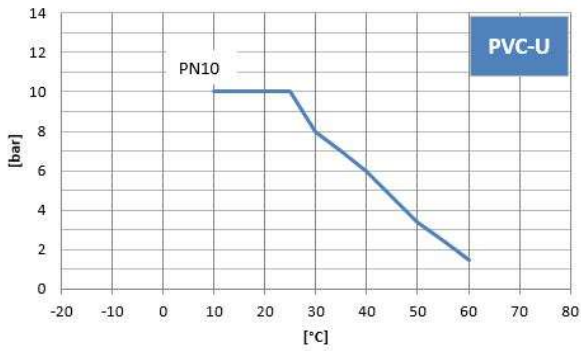


Diagrams:

Flow – characteristic



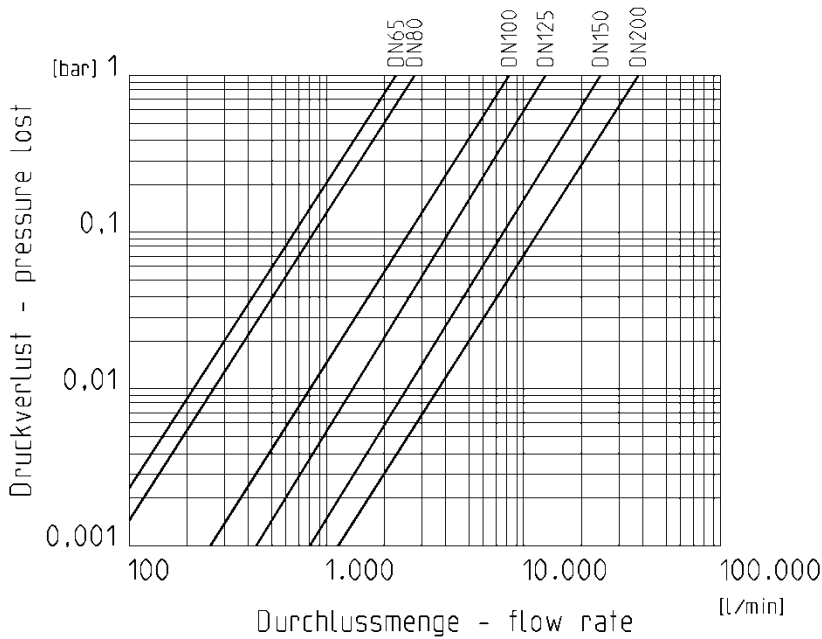
Pressure – Temperature – Diagrams



Butterfly valve K4 Lug-Type without operation element



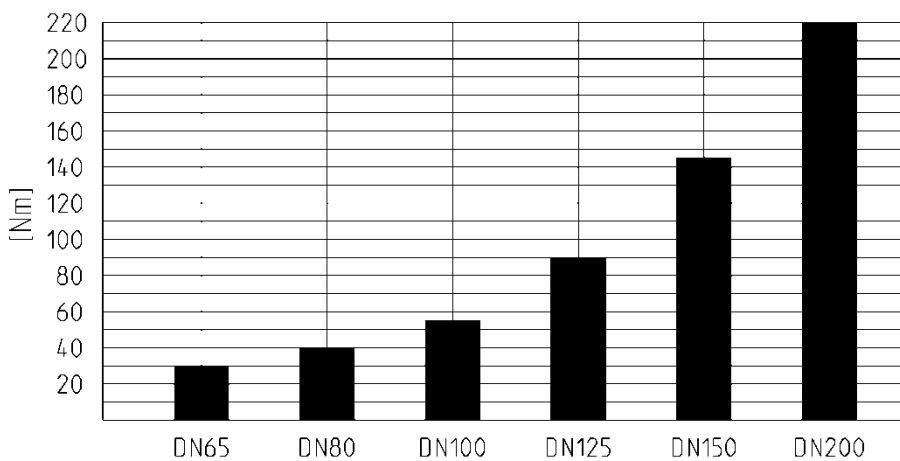
Pressure – loss - diagram



Cv value table

Pressure loss	DN65	DN80	DN100	DN125	DN150	DN200
0,001 bar	73 l/min	88 l/min	260 l/min	433 l/min	805 l/min	1200 l/min
1 bar	2300 l/min	2800 l/min	8200 l/min	13700 l/min	25500 l/min	38000 l/min

Torque



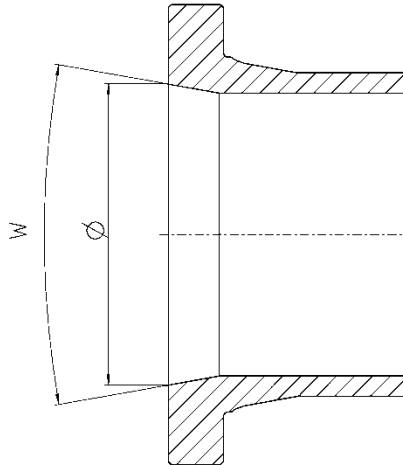
Tightening torque of screws for flange connections

DN	65	80	100	125	150	200
Nm	15	18	20	30	40	55

Butterfly valve K4 Lug-Type without operation element

Installation in piping:

For a correct and complete opening of the flap, it is necessary that the used sockets and stub flanges have at least an inner diameter according to the table.



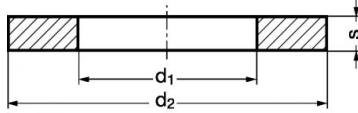
DN	d	Ø (mm)	w (°)
DN50*	d63*	60	40
DN65	d75	60	40
DN80	d90	77	40
DN100	d110	96,5	40
DN125	d140	121,5	40
DN150	d160	146,5	40
DN200	d225	203	40

* Suitable only for **DIN** DN50 d63 sockets and stub flanges.

Butterfly valve K4 Lug-Type without operation element

General installation instructions:

- Use suitable washers in accordance with DIN125A.



DN	65	80	100	125	150	200
Thread	M16	M16	M16	M16	M20	M20
d1	17	17	17	17	21	21
d2	30	30	30	30	37	37
s	3	3	3	3	3	3

Dimensions in mm

- Adapt screw length to flange or stub flange.
- Check torque of screws on the opposite side, when one-side is removed (see torque of screws at flange connections).