

Butterfly valve K4 Lug-Type with hand wheel



General:

- Sealing materials: EPDM
FPM
- Body material: PP-GF
- Flap materials: PVC-U, PP-H, PVDF
- Dimensionen: DN65 – DN200
d75 – d225
2 ½“ – 8“
- Flange standards: DIN 2501 PN10
ANSI B 16,5 Class 150
- Additional connections: DN65/d63 PVC-U
DIN 2501 PN10
- Insert material: INOX A4
- Pin material: INOX A2

Operating pressure:

PVC-U, PP-H, PVDF

Used as intermediate butterfly valve: PN10

Technical

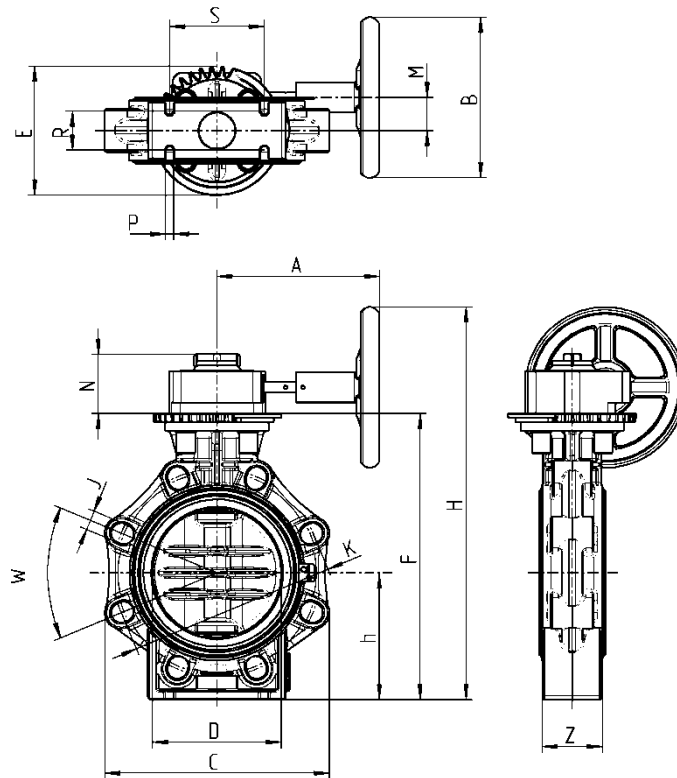
- only sleeve gasket and disc in touch with medium
- double sealed shaft
- integrated bracket for fix point mounting
- variable locking positions
90° ±5° adjustable
- fixed position of the disc due to self-locking gear mechanism
- smooth running of gear wheel due to high coefficient worm gear
- less space needed compared to hand lever
- gear protection IP67
- Ambient temperature range for gear mechanism
-20°C bis +120°C
- Optional available with position feedback
- If used as End-of-line valve a blind flange has to be mounted on the free connection side.
- Pressure has to be reduced if a flange is disassembled on one side
 - DN65 to DN125 → max. 6bar
 - DN150 to DN200 → max. 4bar
- Only temporary usage

This print contains no warranty promise, but it should give you some first information. The product range is extended continuously, therefore the versions and types correspond to the actual status of printing.
Subject to technical modifications!

Butterfly valve K4 Lug-Type with hand wheel



Dimensions:



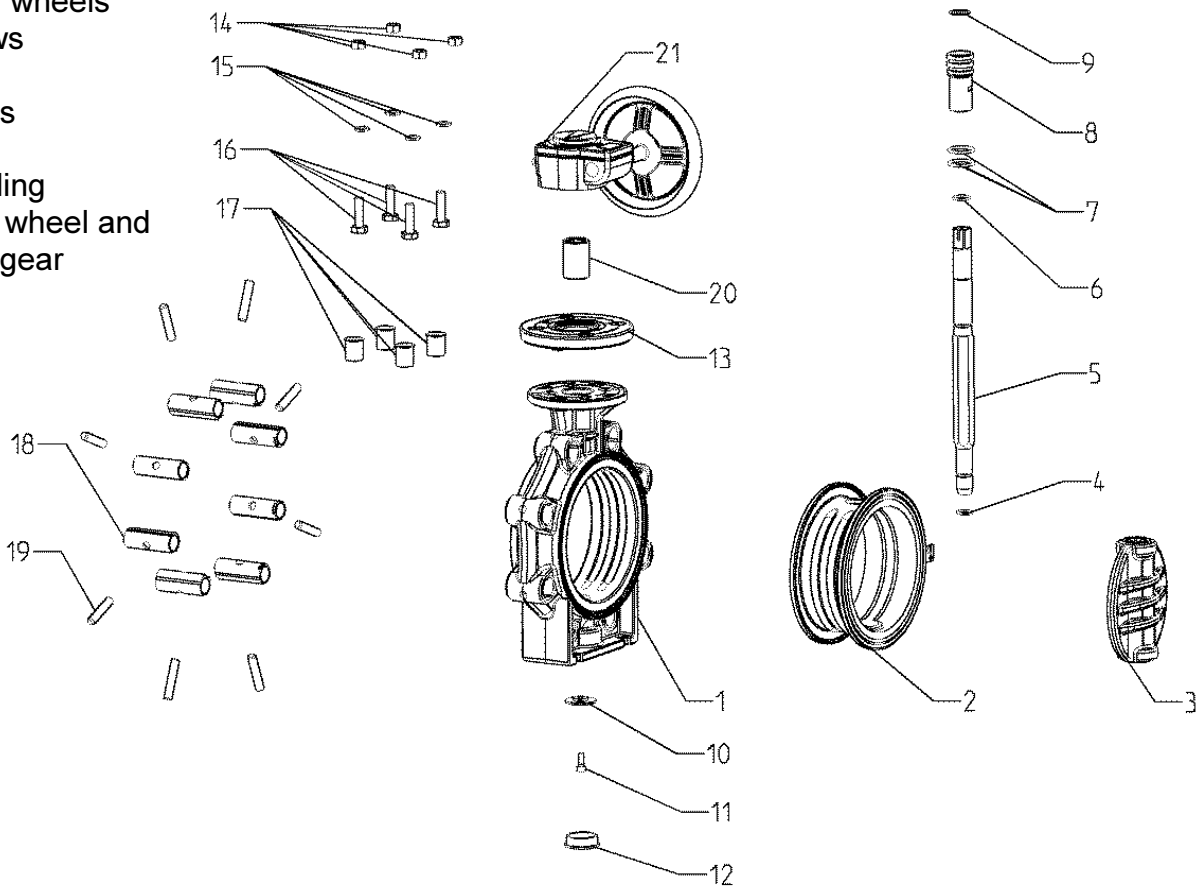
DN	65	80	100	125	150	200
D	75	90	110	140	160	225
G	2 1/2"	3"	4"	5"	6"	8"
W	90°	45°	45°	45°	45°	45°
J	19	19	19	23	23	23
K	127 – 145	146 – 160	175 – 190,5	209,5 – 216	234,5 – 241,5	290 – 298,45
K-DIN	145	160	180	210	240	295
K-ANSI	139,7	152,4	190,5	215,9	241,3	298,45
D	65	80	100	125	150	200
C	133	176	206	234,5	261	314
Z	46	49	56	64	70	71
S	55	70	85	100	110	145
R	25	30	35	45	45	40
P	7	9	9	9	9	9
h	100	100	115	130	147,5	175
F	232	239	269	303,5	337,5	399,5
N	52	52	52	52	60	60
H	308	315	357,5	392	447,5	509,5
A	120	120	121	121	122	122
B	100	100	125	125	160	160
M	42,5	42,5	42,5	42,5	50	50
E	114	114	114	114	137	137

Dimensions in mm

Butterfly valve K4 Lug-Type with hand wheel

Exploded drawing:

1. Body
2. Sleeve
3. Flap
4. Sealing shaft below
5. Shaft
6. Sealing shaft above
7. Sealing pilot bushing
8. Pilot bushing
9. Retaining ring
10. Holding disc
11. Screw
12. Cap
13. Cover plate
14. Nuts
15. Tooth wheels
16. Screws
17. Caps
18. Inserts
19. Pins
20. Coupling
21. Hand wheel and hand gear

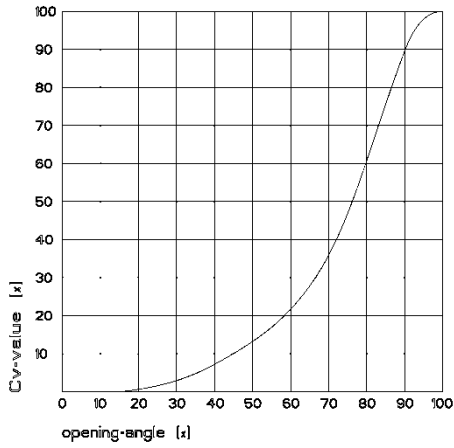


Butterfly valve K4 Lug-Type with hand wheel

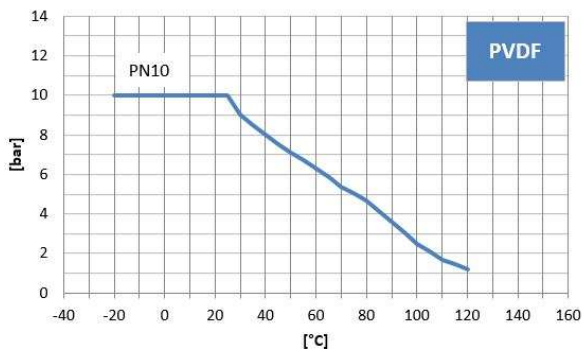
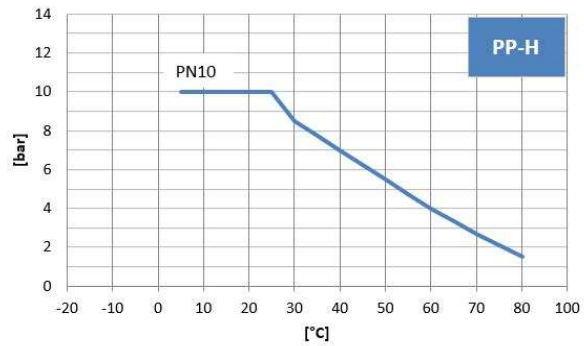
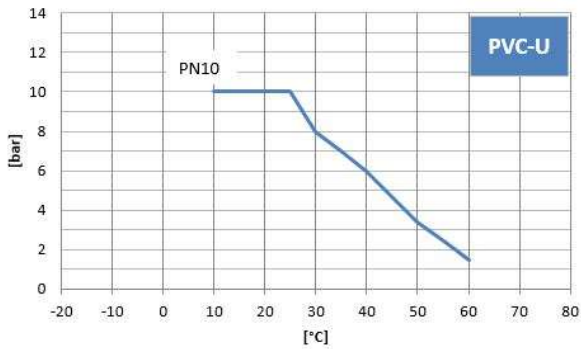


Diagrams:

Flow – characteristic



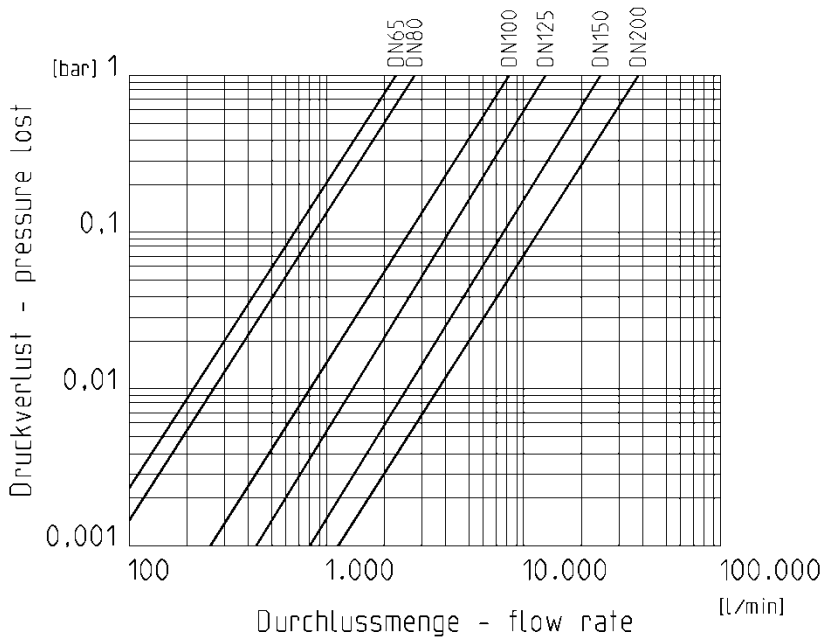
Pressure – Temperature – Diagrams



Butterfly valve K4 Lug-Type with hand wheel



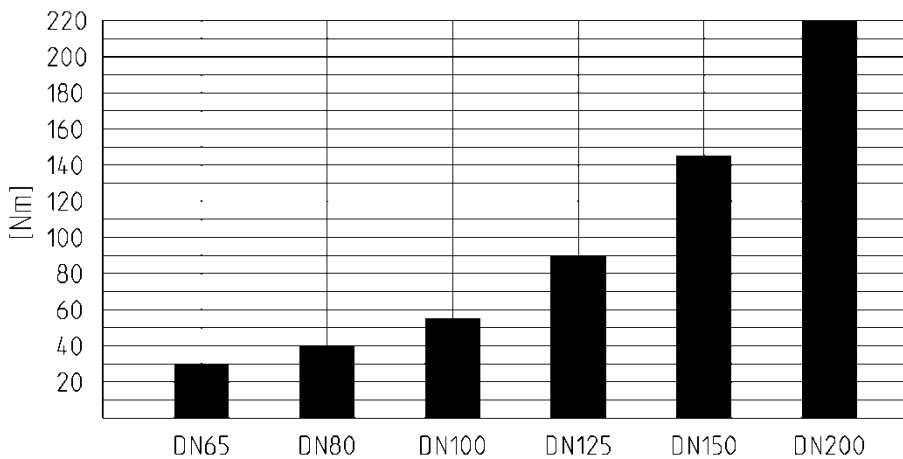
Pressure – loss - diagram



Cv value table

Pressure loss	DN65	DN80	DN100	DN125	DN150	DN200
0,001 bar	73 l/min	88 l/min	260 l/min	433 l/min	805 l/min	1200 l/min
1 bar	2300 l/min	2800 l/min	8200 l/min	13700 l/min	25500 l/min	38000 l/min

Torque



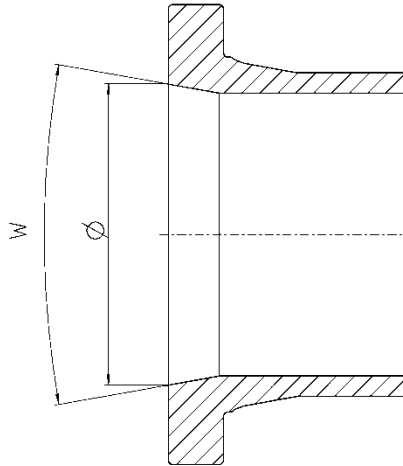
Tightening torque for screws for flange connections

DN	65	80	100	125	150	200
Nm	15	18	20	30	40	55

Butterfly valve K4 Lug-Type with hand wheel

Installation in piping:

For a correct and complete opening of the flap, it is necessary that the used sockets and stub flanges have at least an inner diameter according to the table.



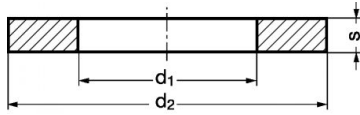
DN	d	Ø (mm)	w (°)
DN50*	d63*	60	40
DN65	d75	60	40
DN80	d90	77	40
DN100	d110	96,5	40
DN125	d140	121,5	40
DN150	d160	146,5	40
DN200	d225	203	40

* Suitable only for **DIN** DN50 d63 sockets and stub flanges.

Butterfly valve K4 Lug-Type with hand wheel

General installation instructions:

- Use suitable washers in accordance with DIN125A.



DN	65	80	100	125	150	200
Thread	M16	M16	M16	M16	M20	M20
d1	17	17	17	17	21	21
d2	30	30	30	30	37	37
s	3	3	3	3	3	3

Dimensions in mm

- Adapt screw length to flange or stub flange.
- Check torque of screws on the opposite side, when one-side is removed (see torque of screws at flange connections).