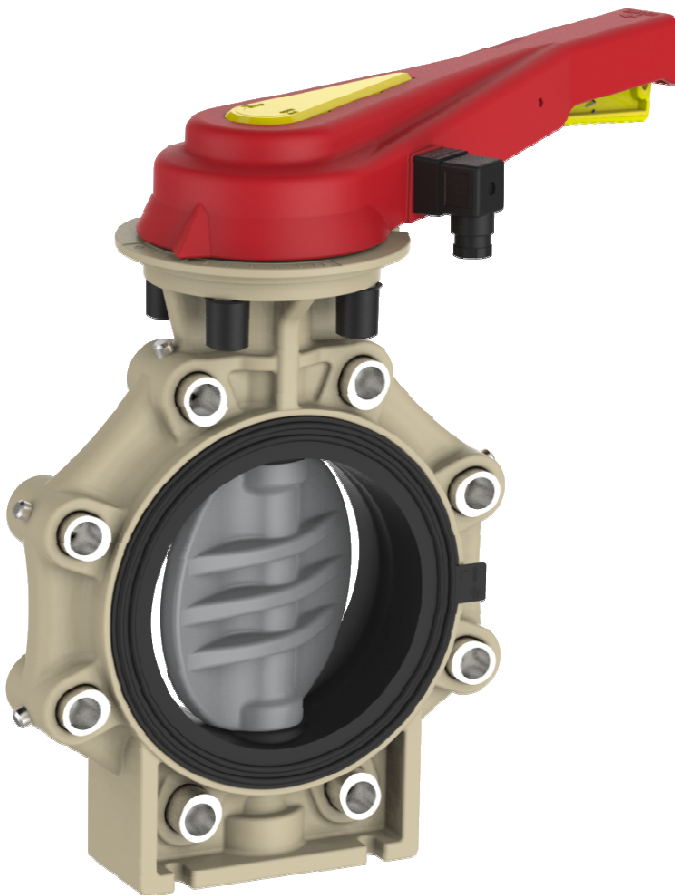


Butterfly valve K4 Lug-Type with hand lever and position feedback



General:

- Sealing materials: EPDM, FPM
- Body material: PP-GF
- Flap material: PVC-C
- Dimensions: DN65 – DN100
d75 – d110
2 ½" – 4"
- Flange connections: DIN 2501 PN 10
ANSI B 16,5 Class 150
- Additional dimensions: DN65/d63
DIN 2501 PN 10
- Insert material: INOX A4
- Pin material: INOX A2

Operating pressure:

PVC-C

Used as intermediate butterfly valve: PN10

Technical characteristics

- only sleeve gasket and disc in touch with medium
- double sealed shaft
- integrated bracket for fix point mounting
- simple and quick assembling of the actuator without any extra parts
- 10 different disc locking position
- Reliable „locking-handle-system“
- Hand lever with marking plate (different colours available)
- Metal adapter between handle and shaft avoids abrasion of the handle
- If used as End-of-line valve a blind flange has to be mounted on the free connection side.
- Pressure has to be reduced if a flange is disassembled on one side
 - DN65 to DN125 → max. 6bar
 - DN150 to DN200 → max. 4bar

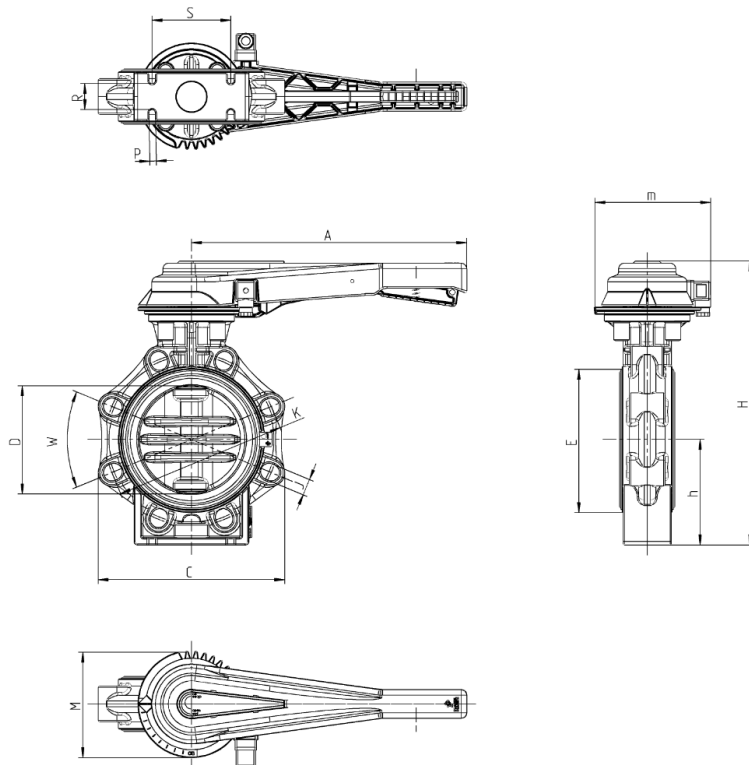
Only temporary usage
- integration position feedback in hand lever
 - Limit switch IP67
 - mechanical
 - AG-NI NO
 - AG-NI NC (on request)
 - AU NO (on request)
 - AU NC (on request)
 - inductive (on request)
 - NPN/PNP
 - Namur (on request)
 - adjustable
 - incl. stainless steel bolts
 - incl. device plug

This print contains no warranty promise, but it should give you some first information. The product range is extended continuously, therefore the versions and types correspond to the actual status of printing.a
Subject to technical modifications!

Butterfly valve K4 Lug-Type with hand lever and position feedback



Dimensions:



DN	65	80	100
d	75	90	110
G	2 1/2"	3"	4"
A	230	230	300
D	65	80	100
C	133	176	206
W	90°	45°	45°
J	19	19	19
K	127 – 145	146 – 160	175 – 190,5
K-DIN	145	160	180
K-ANSI	139,7	152,4	190,5
H	285	292	322
h	100	100	115
E	98	116	146
M	114	114	114
Z	46	49	56
S	55	70	85
R	25	30	35
P	7	9	9

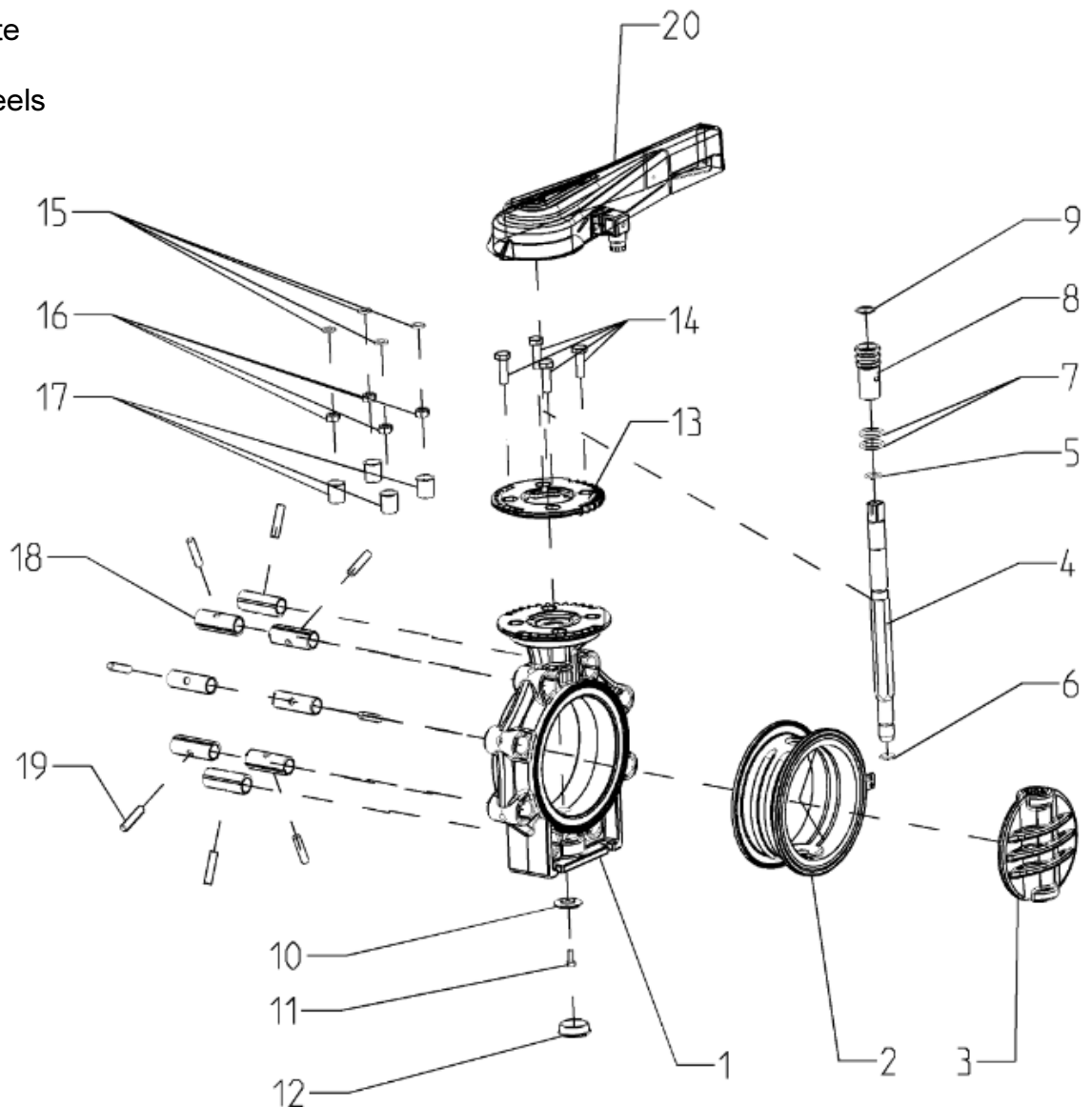
Dimensions in mm

Butterfly valve K4 Lug-Type with hand lever and position feedback



Exploded drawing:

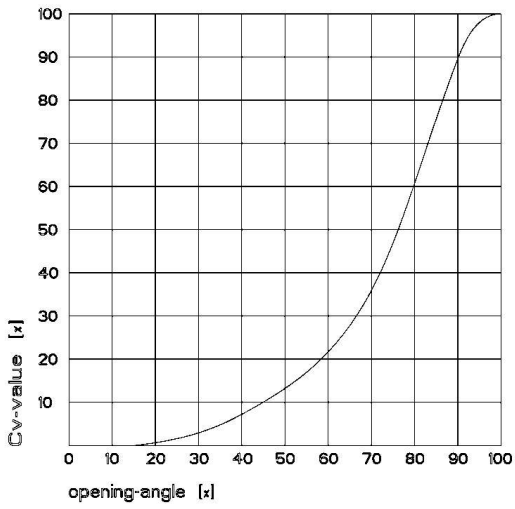
- 01. Body
- 02. Sleeve
- 03. Flap
- 04. Shaft
- 05. Sealing shaft above
- 06. Sealing shaft below
- 07. Sealing pilot bushing
- 08. Pilot bushing
- 09. Retaining ring
- 10. Holding disc
- 11. Screw
- 12. Cap
- 13. Cover plate
- 14. Screws
- 15. Tooth wheels
- 16. Nuts
- 17. Caps
- 18. Inserts
- 19. Pins
- 20. Handle



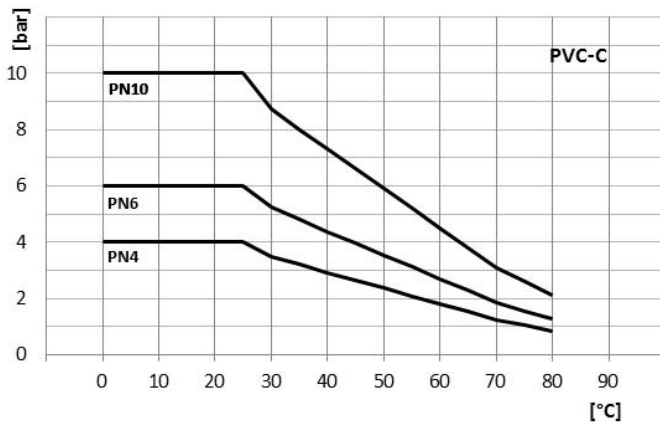
Diagrams:

Flow - characteristic

Butterfly valve K4 Lug-Type with hand lever and position feedback

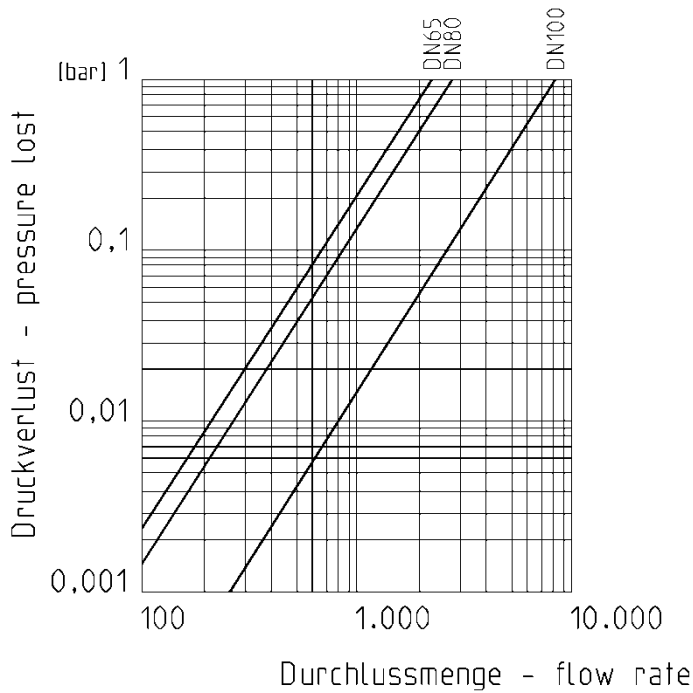


Pressure – temperature - diagram



Butterfly valve K4 Lug-Type with hand lever and position feedback

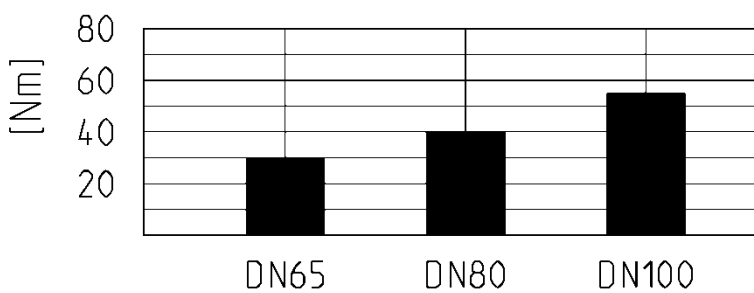
Pressure loss - diagram



Cv value table

Pressure loss	DN65	DN80	DN100
0,001 bar	73 l/min	88 l/min	260 l/min
1 bar	2300 l/min	2800 l/min	8200 l/min

Torque



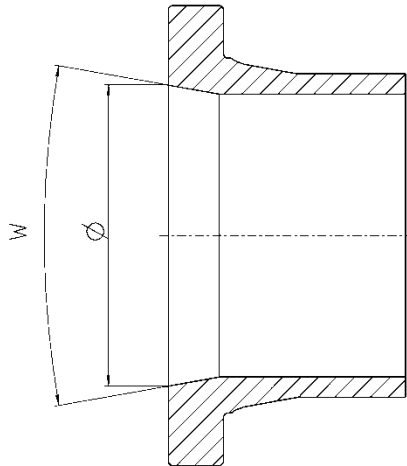
Tightening torque of screws for flange connection

DN	65	80	100
Nm	15	18	20

Butterfly valve K4 Lug-Type
with hand lever and position feedback

Installation in piping:

For a correct and complete opening of the flap, it is necessary that the used sockets and stub flanges have at least an inner diameter according to the table.



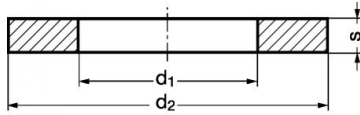
DN	d	Ø (mm)	w (°)
DN50*	d63*	60	40
DN65	d75	60	40
DN80	d90	77	40
DN100	d110	96,5	40

* Suitable only for **DIN** DN50 d63 sockets and stub flanges.

Butterfly valve K4 Lug-Type with hand lever and position feedback

General installation instructions:

- Use suitable washers in accordance with DIN125A.



DN	65	80	100
Thread	M16	M16	M16
d1	17	17	17
d2	30	30	30
s	3	3	3

Dimensions in mm

- Adapt screw length to flange or stub flange.
- Check torque of screws on the opposite side, when one-side is removed (see torque of screws at flange connections).

Butterfly valve K4 Lug-Type

with hand lever and position feedback



Technical data position feedback:

Limit switch mechanical		
Type	Silver nickel (Ag-Ni) NO/NC*	Gold contact (Au) NO*/NC*
Voltage max.	15-250V AC (15-30V DC)	5-250V AC (5-30V DC)
Current max.	100mA-5A	1mA-3A
Protection class limit switch	IP67	
Protection class DIN connector plug	IP65	
Ambient temperature	-10°C bis +50°C	
Connection diagram	NO	NC

* on request

Limit switch inductive *		
Type	NPN*/PNP*	NAMUR* EMV as per IEC / EN 60947-5-2:2004; NE 21 DIN EN 60947-5-6
Voltage max.	10-30V DC	8V DC
Current max.	0-100mA	NAMUR intrinsically safe
Protection class limit switch	IP67	
Protection class DIN connector plug	IP65	
Ambient temperature	-10°C bis +50°C	
Connection diagram		

* on request

© Praher Plastics Austria GmbH DB/DEEN/23/06/405/B Subject to technical modifications!