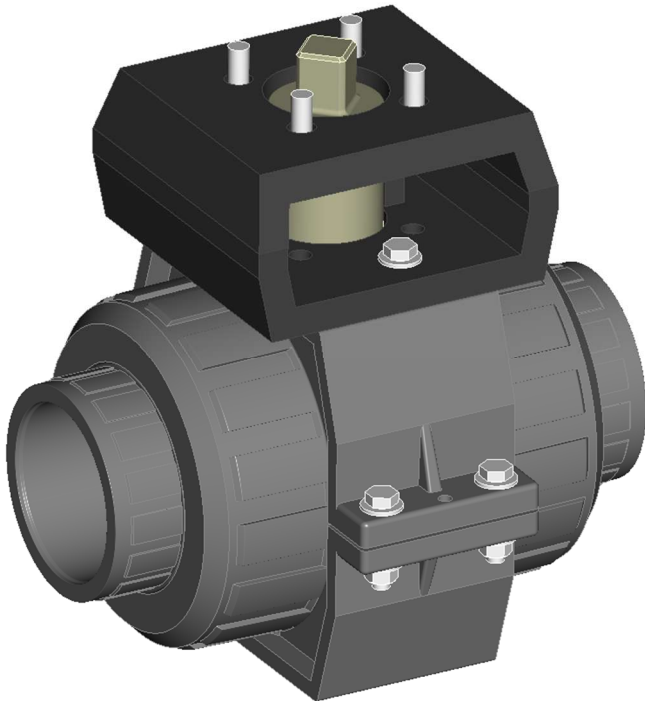


## 2 way ball valve S4 with adapter set



### General:

- Material: PVC-U / PVC-C  
PP / PVDF
  - Seal material: EPDM / FPM
  - Ball seating joint: PTFE
  - Dimensions:
- |       |                              |
|-------|------------------------------|
| PVC-U | DN10 d16 3/8" – DN80 d110 4" |
| PVC-C | DN10 d16 3/8" – DN50 d63 2"  |
| PP    | DN10 d16 3/8" – DN80 d110 4" |
| PVDF  | DN10 d16 3/8" – DN80 d110 4" |

### Connector types:

#### PVC-U / PVC-C

- Solvent socket DIN / ASTM
- Threaded socket BSP

#### PP

- Fusion socket DIN
- Fusion spigot DIN

#### PVDF

- Fusion socket DIN
- Fusion spigot DIN

Further connector types on request

### Operating pressure:

DN10 d16 3/8" – DN65 d75 d2 1/2"	PN16/10
DN80 d90 3"	PN10/6
DN80 d110 4"	PN6

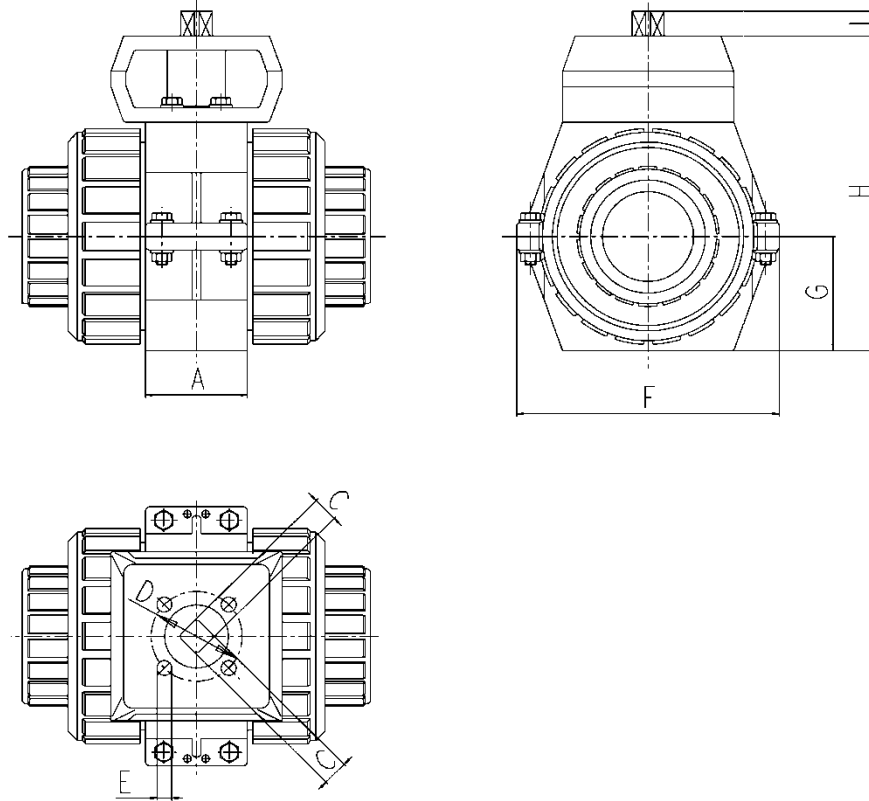
### Technical features:

- radial installation and removal
- double sided blocked ball
- machined ball
- full section area of flow (nominal bore)
- floating ball

This document does not constitute a guarantee, it is for initial information purposes only. The product range is continually upgraded, the designs and types therefore only reflect the state of the art at the time of printing. Subject to technical modifications!

**2 way ball valve S4**  
with adapter set

**Dimensions:**



DN	10	15	20	25	32	40	50	65	80	80
d	16	20	25	32	40	50	63	75	90	110
ISO Flange	F04	F04	F04	F04	F05	F05	F05	F07	F07	F07
G	3/8"	1/2"	3/4"	1"	1 1/4"	1 1/2"	2"	2 1/2"	3"	4"
A	36	36	36	36	56	56	56	78	78	78
C	11	11	11	11	14	14	14	17	17	17
D	42	42	42	42	50	50	50	70	70	70
E	5,5	5,5	5,5	5,5	6,5	6,5	6,5	9	9	9
F	113	113	113	113	144	144	144	204	204	204
G	33	33	40	43	51	56	64	85	100	100
H	104	104	118	124	150	160	176	242,5	272,5	272,5
I	11	11	11	11	13	13	13	18	18	18
PN	16	16	16	16	16	16	16	16	10	6
PN <sub>PP</sub>	10	10	10	10	10	10	10	10	6	6

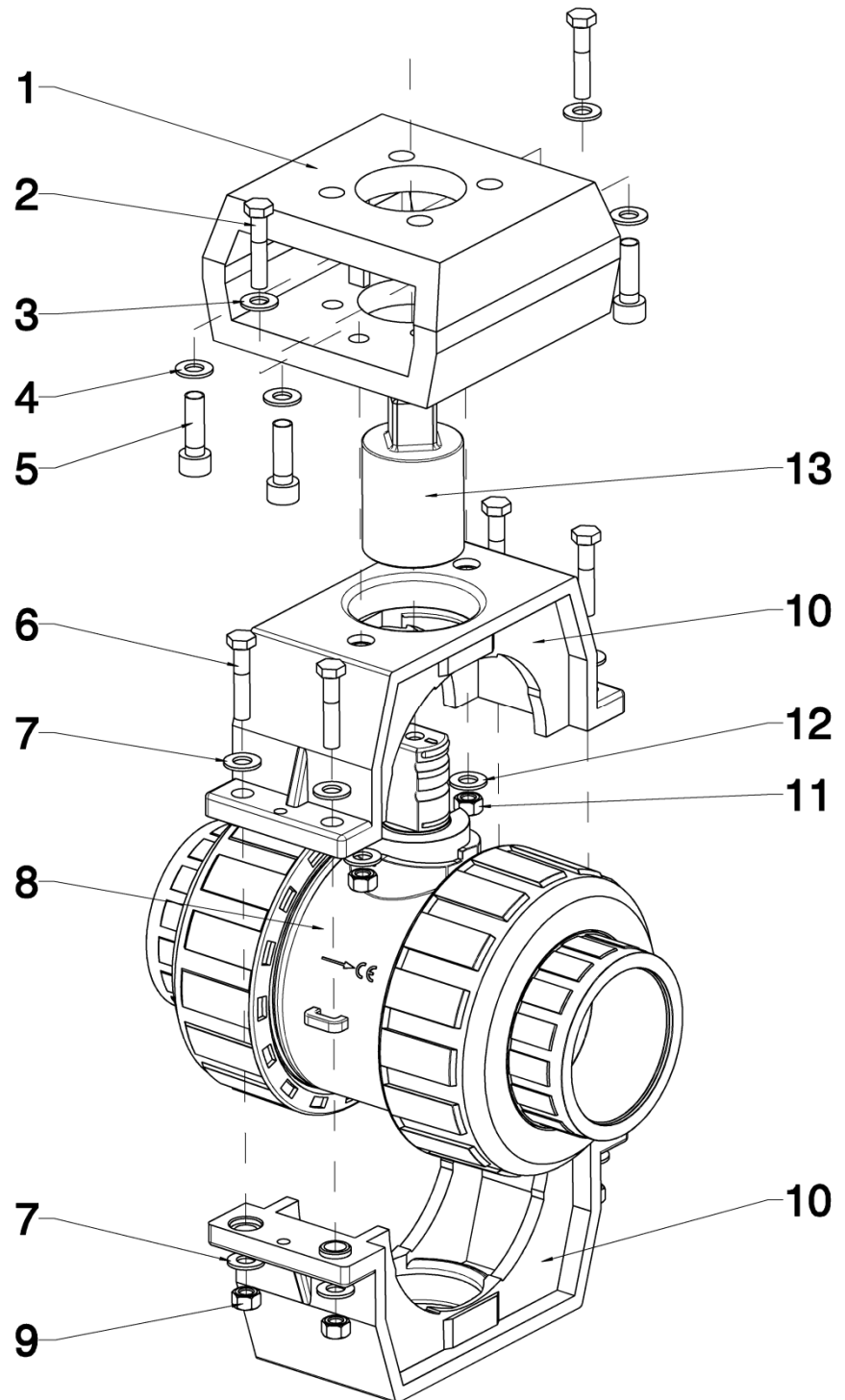
Further Dimensions see data sheet 2W KH S4 hand operated

dimensionens in mm

## 2 way ball valve S4 with adapter set

### Exploded drawing:

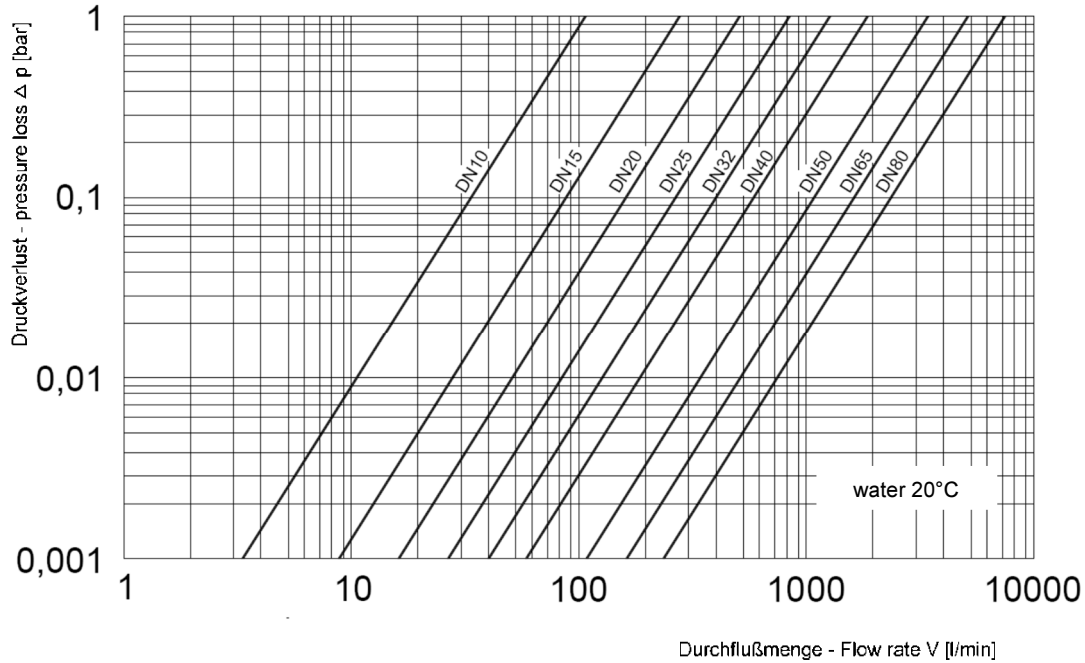
- 01. Console
- 02. Hexagon screw
- 03. Toothed washer
- 04. Toothed washer
- 05. Hexagon socket screw
- 06. Hexagon screw
- 07. Washer
- 08. Ball valve
- 09. Hexagon nut
- 10. Valve bracker
- 11. Hexagon nut
- 12. Toothed washer
- 13. Clutch



## 2 way ball valve S4 with adapter set

### Diagrams:

#### Pressure loss diagram

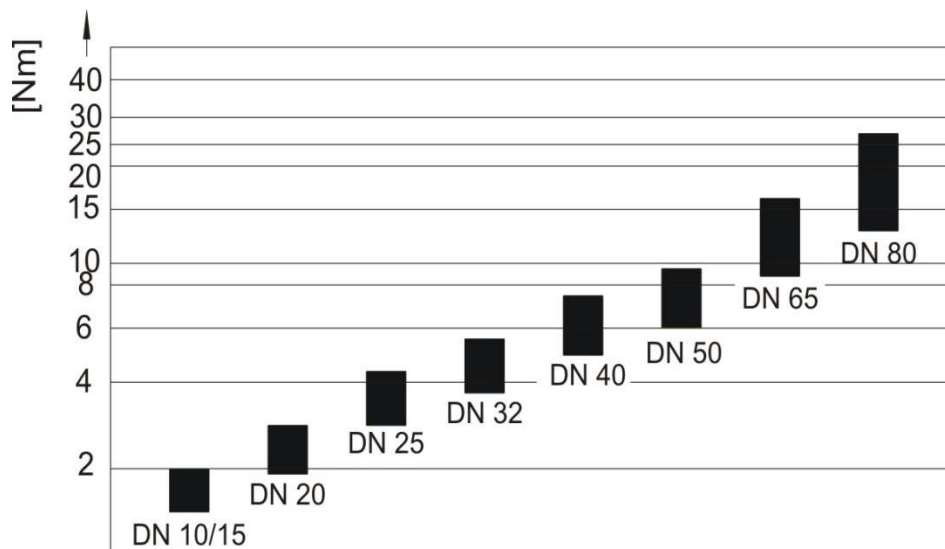


#### Cv value table

Pressure loss	DN10	DN15	DN20	DN25	DN32	DN40	DN50	DN65	DN80
0,001 bar	3,4	8,8	16,1	26,7	40,1	58,7	110	165	240
1 bar	107	278	509	843	1269	1858	3424	5133	7455

l/min

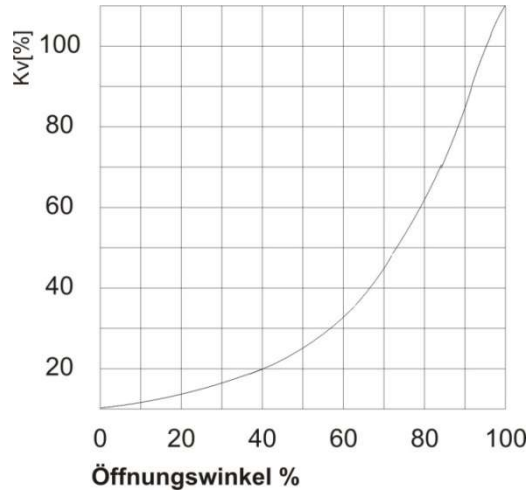
#### Torque



## 2 way ball valve S4 with adapter set

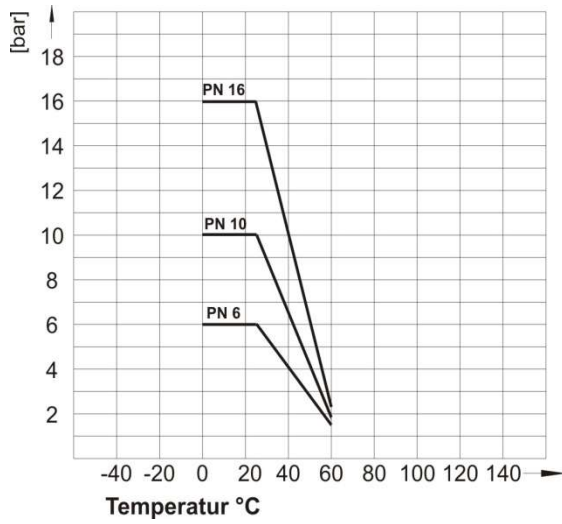


### Flow characteristics

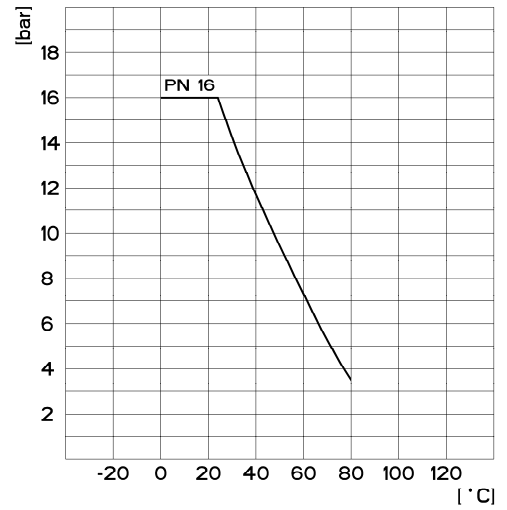


### Pressure – Temperature

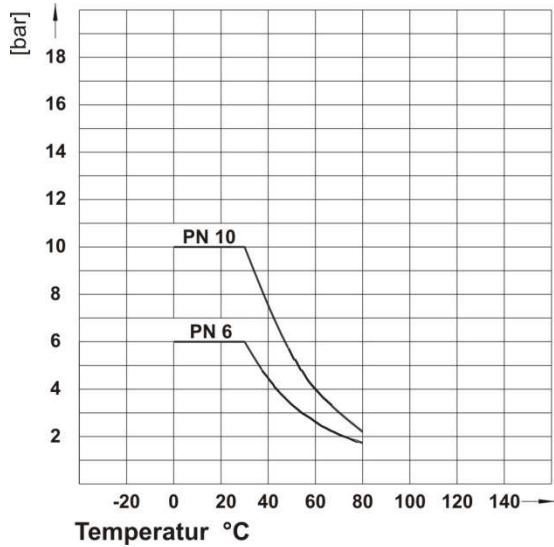
#### PVC-U



#### PVC-C



#### PP



#### PVDF

