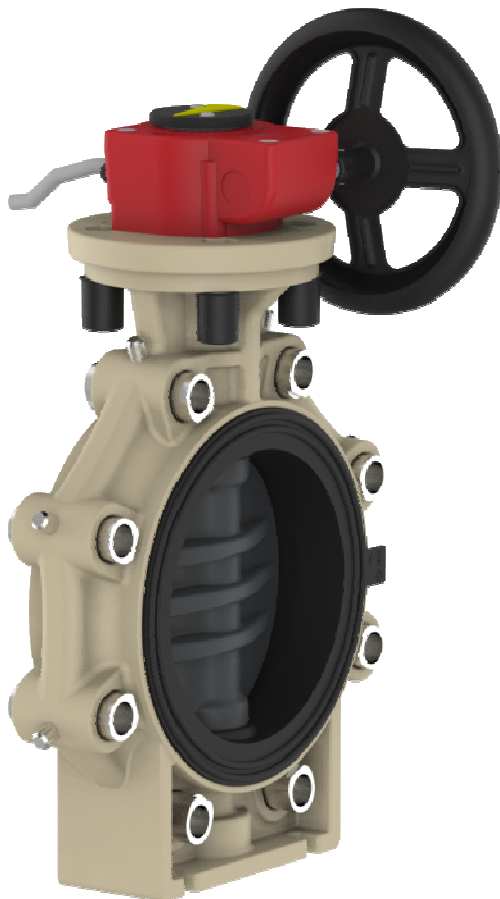


Butterfly valve K4 Lug-Type
with hand wheel and position feedback



General:

- Sealing materials: EPDM
FPM
- Body material: PP-GF
- Flap materials: PVC-U, PP-H, PVDF
- Dimensions: DN65 – DN200
d75 – d225
2 1/2" – 8"
- Flange standards: DIN 2501 PN10
ANSI B 16,5 Class 150
- Additional dimensions: DN65/d63
DIN 2501 PN10
- Insert material: INOX A4
- Pin material: INOX A2

Operating pressure:

PVC-U, PP-H, PVDF

Used as intermediate butterfly valve: PN10

Technical features

- only sleeve gasket and disc in touch with medium
- double sealed shaft
- integrated bracket for fix point mounting
- variable locking positions
90° ±5° adjustable
- fixed position of the disc due to self-locking gear mechanism
- smooth running of gear wheel due to high coefficient worm gear
- less space needed compared to hand lever
- gear protection IP65
- ambient temperature range for gear
-20°C to +120°C
- If used as End-of-line valve a blind flange has to be mounted on the free connection side.
- Pressure has to be reduced if a flange is disassembled on one side
 - DN65 to DN125 → max. 6bar
 - DN150 to DN200 → max. 4bar

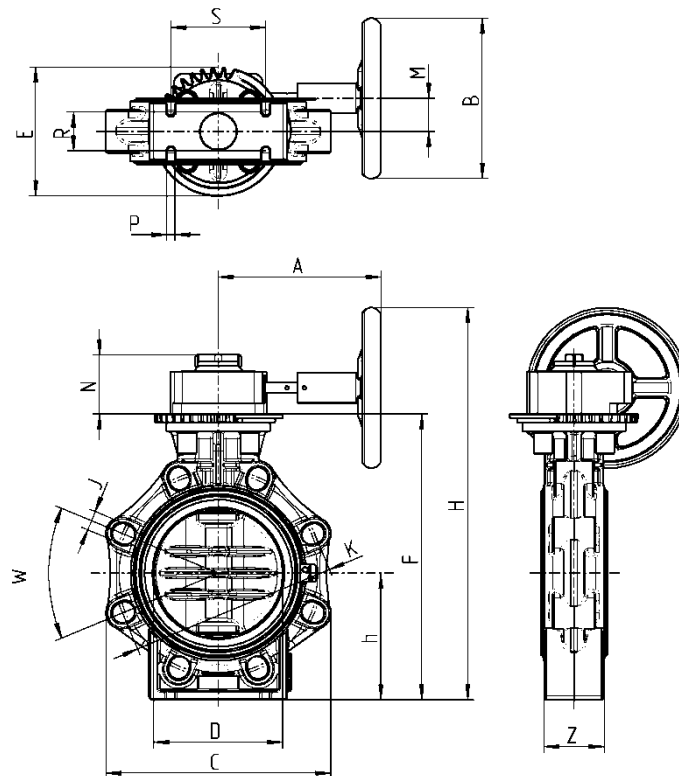
Only temporary usage

This print contains no warranty promise, but it should give you some first information. The product range is extended continuously, therefore the versions and types correspond to the actual status of printing. Subject to technical modifications!

Butterfly valve K4 Lug-Type
with hand wheel and position feedback



Dimensions:



| | | | | | | |
|--------|-----------|-----------|-------------|-------------|---------------|--------------|
| DN | 65 | 80 | 100 | 125 | 150 | 200 |
| D | 75 | 90 | 110 | 140 | 160 | 225 |
| G | 2 1/2" | 3" | 4" | 5" | 6" | 8" |
| W | 90° | 45° | 45° | 45° | 45° | 45° |
| J | 19 | 19 | 19 | 23 | 23 | 23 |
| K | 127 – 145 | 146 – 160 | 175 – 190,5 | 209,5 – 216 | 234,5 – 241,5 | 290 – 298,45 |
| K-DIN | 145 | 160 | 180 | 210 | 240 | 295 |
| K-ANSI | 139,7 | 152,4 | 190,5 | 215,9 | 241,3 | 298,45 |
| D | 65 | 80 | 100 | 125 | 150 | 200 |
| C | 133 | 176 | 206 | 234,5 | 261 | 314 |
| Z | 46 | 49 | 56 | 64 | 70 | 71 |
| S | 55 | 70 | 85 | 100 | 110 | 145 |
| R | 25 | 30 | 35 | 45 | 45 | 40 |
| P | 7 | 9 | 9 | 9 | 9 | 9 |
| h | 100 | 100 | 115 | 130 | 147,5 | 175 |
| F | 232 | 239 | 269 | 303,5 | 337,5 | 399,5 |
| N | 52 | 52 | 52 | 52 | 60 | 60 |
| H | 308 | 315 | 357,5 | 392 | 447,5 | 509,5 |
| A | 120 | 120 | 121 | 121 | 122 | 122 |
| B | 100 | 100 | 125 | 125 | 160 | 160 |
| M | 42,5 | 42,5 | 42,5 | 42,5 | 50 | 50 |
| E | 114 | 114 | 114 | 114 | 137 | 137 |

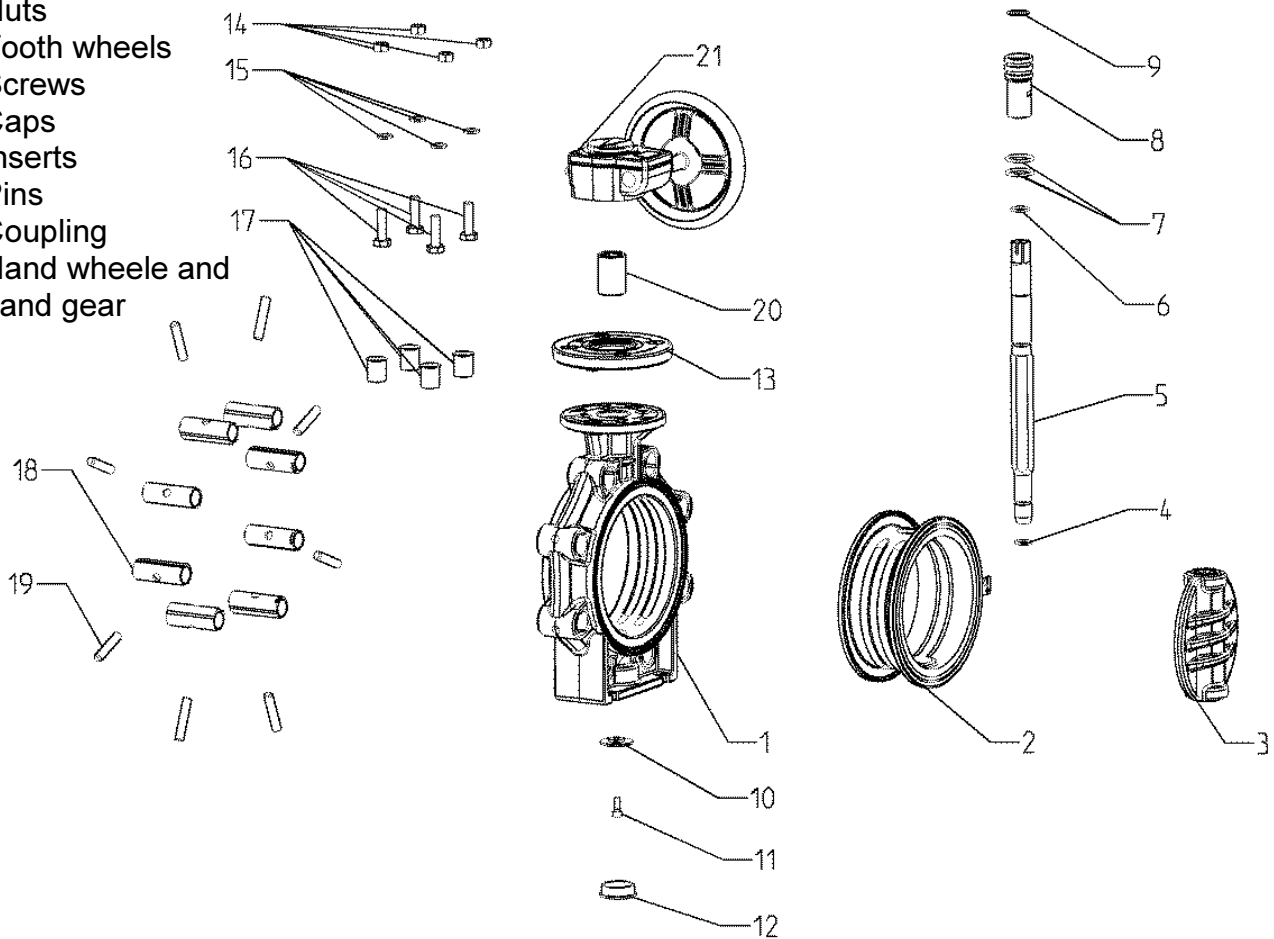
Dimensions in mm

Butterfly valve K4 Lug-Type
with hand wheel and position feedback



Exploded drawing:

1. Body
2. Sleeve
3. Flap
4. Sealing shaft below
5. Shaft
6. Sealing shaft above
7. Sealing pilot bushing
8. Pilot bushing
9. Retaining ring
10. Holding disc
11. Screw
12. Cap
13. Cover plate
14. Nuts
15. Tooth wheels
16. Screws
17. Caps
18. Inserts
19. Pins
20. Coupling
21. Hand wheel and hand gear

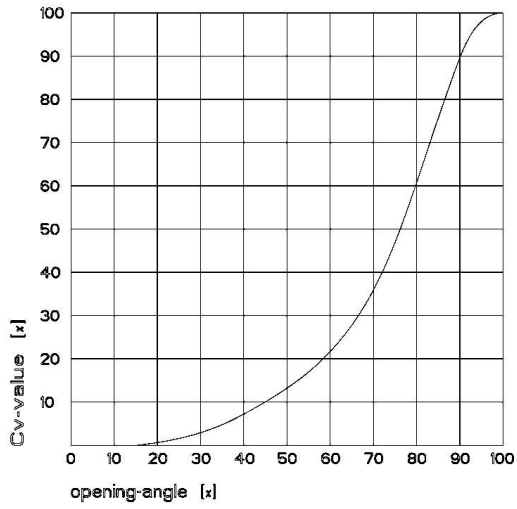


Butterfly valve K4 Lug-Type
with hand wheel and position feedback

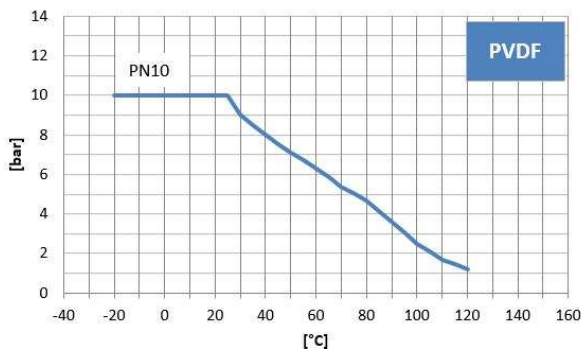
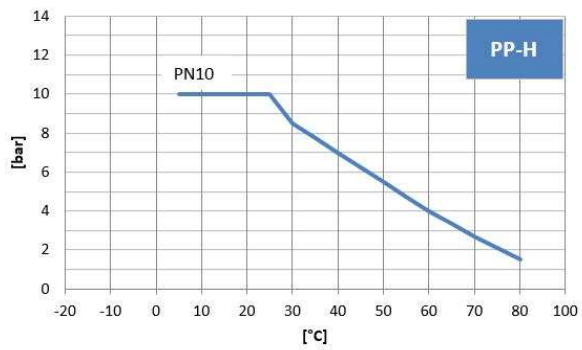
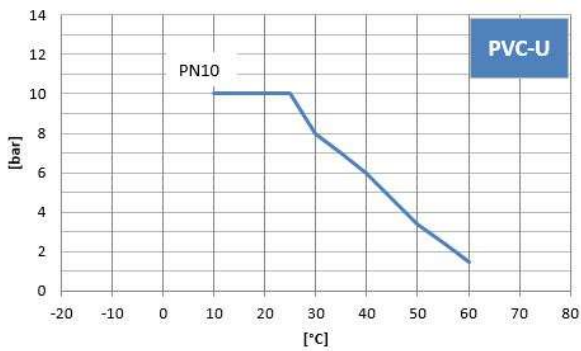


Diagrams:

Flow - characteristic



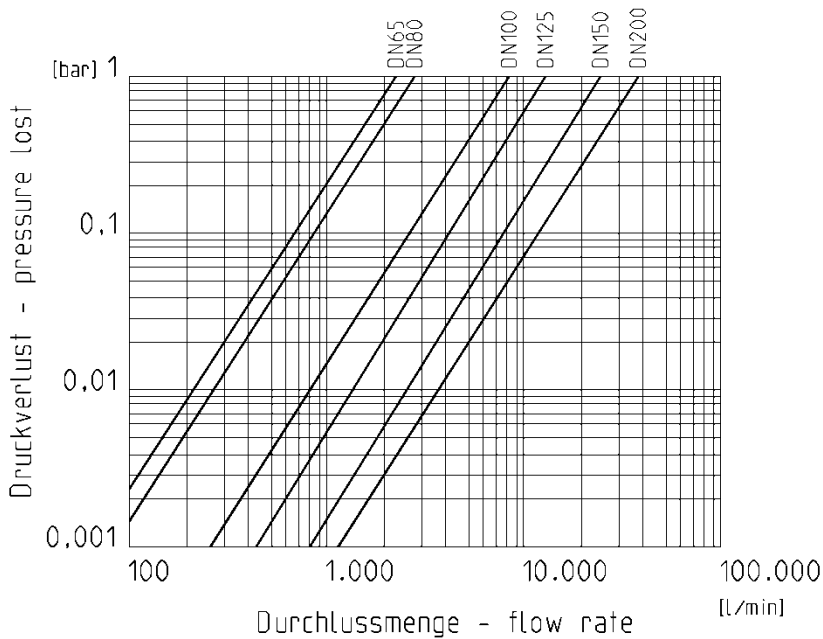
Pressure – Temperature – Diagrams



Butterfly valve K4 Lug-Type
with hand wheel and position feedback



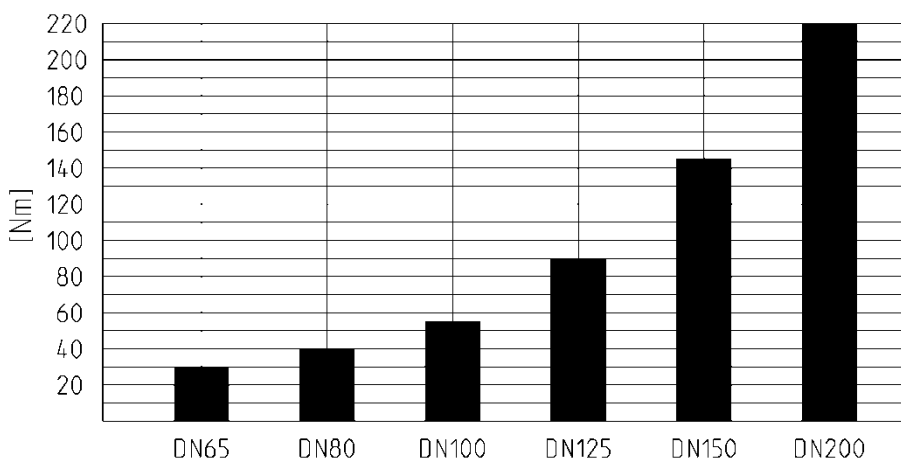
Pressure – loss – diagram



Cv value table

| Pressure loss | DN65 | DN80 | DN100 | DN125 | DN150 | DN200 |
|---------------|------------|------------|------------|-------------|-------------|-------------|
| 0,001 bar | 73 l/min | 88 l/min | 260 l/min | 433 l/min | 805 l/min | 1200 l/min |
| 1 bar | 2300 l/min | 2800 l/min | 8200 l/min | 13700 l/min | 25500 l/min | 38000 l/min |

torque



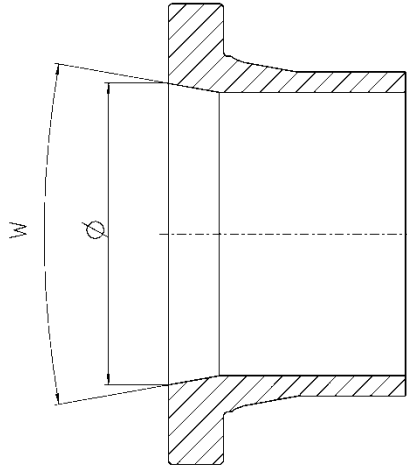
Tightening torque of screws for flange connections

| | | | | | | |
|----|----|----|-----|-----|-----|-----|
| DN | 65 | 80 | 100 | 125 | 150 | 200 |
| Nm | 15 | 18 | 20 | 30 | 40 | 55 |

Butterfly valve K4 Lug-Type
with hand wheel and position feedback

Installation in piping:

For a correct and complete opening of the flap, it is necessary that the used sockets and stub flanges have at least an inner diameter according to the table.



| DN | d | Ø (mm) | w (°) |
|-------|------|-----------|----------|
| DN50* | d63* | 60 | 40 |
| DN65 | d75 | 60 | 40 |
| DN80 | d90 | 77 | 40 |
| DN100 | d110 | 96,5 | 40 |
| DN125 | d140 | 121,5 | 40 |
| DN150 | d160 | 146,5 | 40 |
| DN200 | d225 | 203 | 40 |

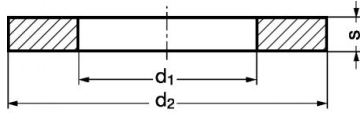
* Suitable only for **DIN** DN50 d63 sockets and stub flanges.

Butterfly valve K4 Lug-Type
with hand wheel and position feedback



General installation instructions:

- Use suitable washers in accordance with DIN125A.



| DN | 65 | 80 | 100 | 125 | 150 | 200 |
|--------|-----|-----|-----|-----|-----|-----|
| Thread | M16 | M16 | M16 | M16 | M20 | M20 |
| d1 | 17 | 17 | 17 | 17 | 21 | 21 |
| d2 | 30 | 30 | 30 | 30 | 37 | 37 |
| s | 3 | 3 | 3 | 3 | 3 | 3 |

Dimensions in mm

- Adapt screw length to flange or stub flange.
- Check torque of screws on the opposite side, when one-side is removed (see torque of screws at flange connections).

Wiring plan for position feedback

