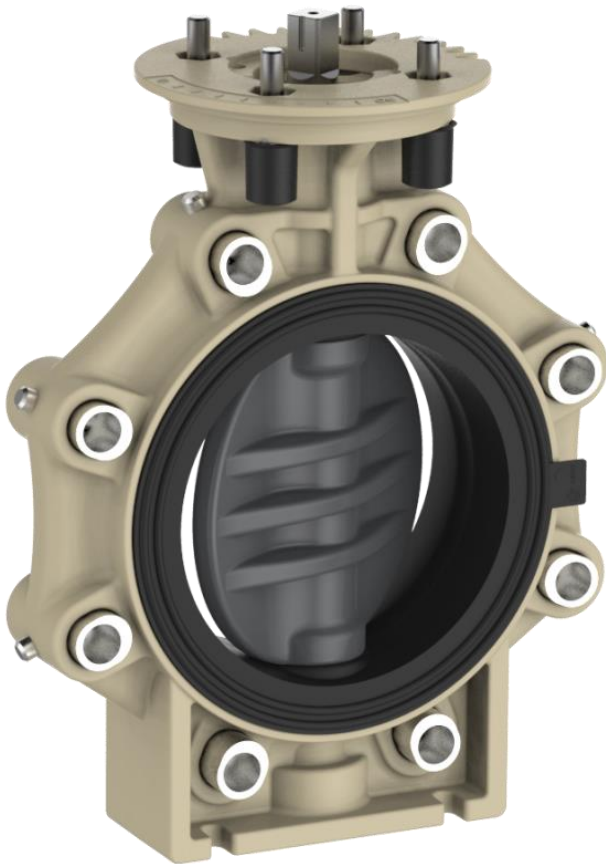


Butterfly valve K4 Lug-Type without operation element



General:

- Sealing materials: EPDM
FPM
- Body material: PP-GF
- Flap material: PVC-C
- Dimensions: DN65 – DN100
d75 – d110
2 1/2" – 4"
- Flange standards: DIN 2501 PN10
ANSI B 16,5 Class 150
- Additional dimension: DN65/d63 PVC-U
DIN 2501 PN10
- Insert material: INOX A4
- Pin material: INOX A2

Operating pressure:

PVC-C

Used as intermediate butterfly valve: PN10

Technical features:

- Only sleeve gasket and flap in touch with medium
- Double sealed shaft
- Integrated bracket for mix point mounting
- Simple and quick assembling of the actuator without any extra parts
- If used as End-of-line valve a blind flange has to be mounted on the free connection side.
- Pressure has to be reduced if a flange is disassembled on one side
 - DN65 to DN125 → max. 6bar
 - DN150 to DN200 → max. 4bar

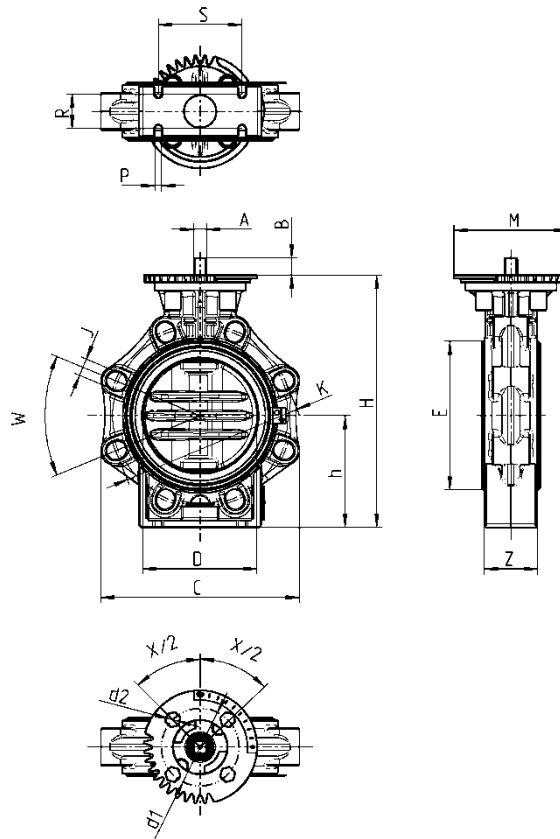
Only temporary usage

This document does not constitute a guarantee, it is for initial information purposes only. The product range is continually upgraded, the designs and types therefore only reflect the state of the art at the time of printing. Subject to technical modifications!

Butterfly valve K4 Lug-Type without operation element



Dimensions:



DN	65	80	100
d	75	90	110
G	2 1/2"	3"	4"
A	11	11	14
B	17,5	17,5	19,5
C	133	176	206
D	65	80	100
E	98	116	146
h	100	100	115
H	232	239	269
J	19	19	19
K	127-145	146-160	175-190,5
K-DIN	145	160	180
K-ANSI	139,7	152,4	190,5
M	114	114	114
P	7	9	9
R	25	30	35
S	55	70	85
W	90°	45°	45°
Z	46	49	56

Dimensions in mm



Butterfly valve K4 Lug-Type without operation element



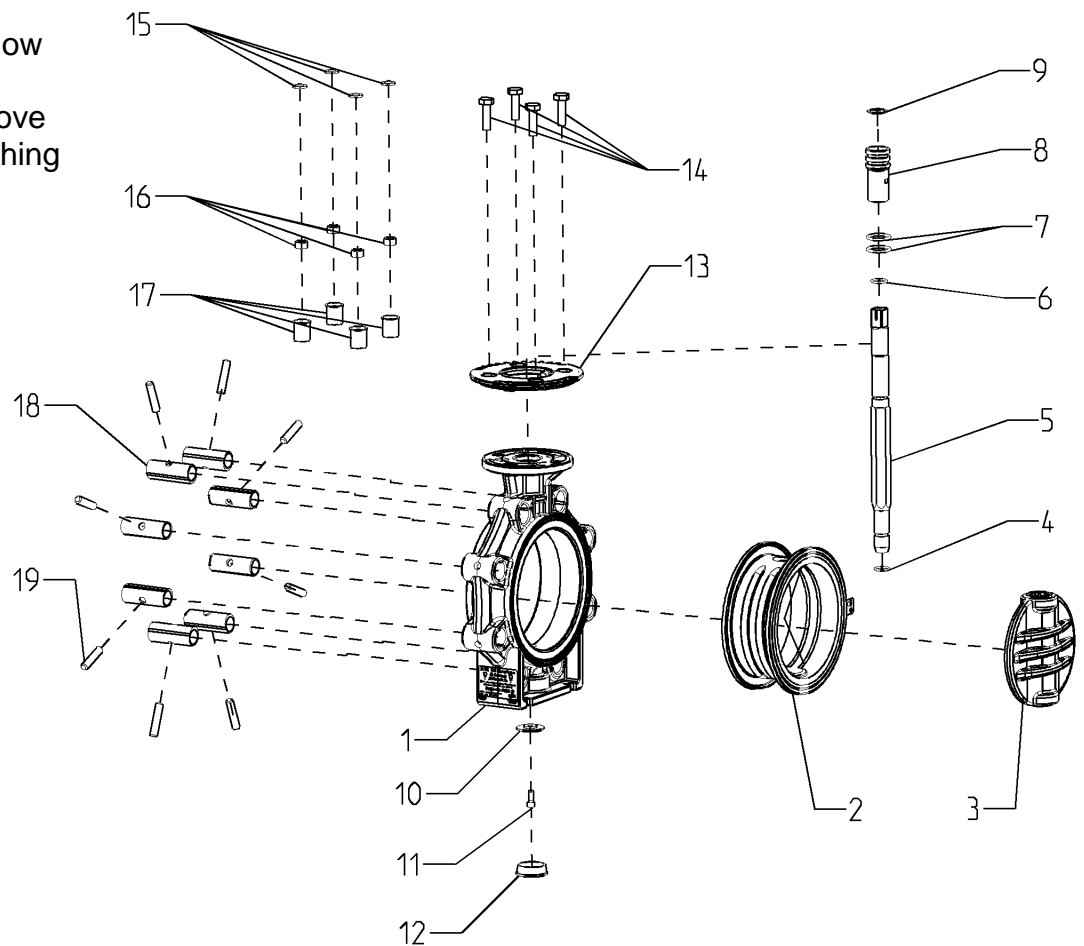
Adapters of pivoting valves – flange dimensions

DN	Flange type ISO 5211	d1	d2	X/2	A
65	F07	70	M8	45°	11
80	F07	70	M8	45°	11
100	F07	70	M8	45°	14

Dimensions in mm

Exploded drawing:

- 01. Body
- 02. Sleeve
- 03. Flap
- 04. Sealing shaft below
- 05. Shaft
- 06. Sealing shaft above
- 07. Sealing pilot bushing
- 08. Pilot bushing
- 09. Retaining ring
- 10. Holding disc
- 11. Screw
- 12. Cap
- 13. Cover plate
- 14. Screws
- 15. Tooth wheels
- 16. Nuts
- 17. Caps
- 18. Inserts
- 19. Pins

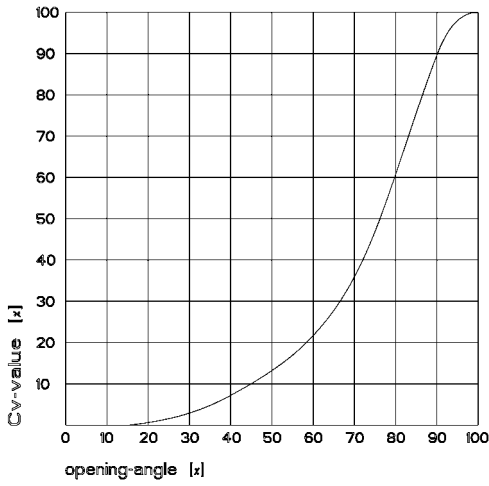


Butterfly valve K4 Lug-Type without operation element

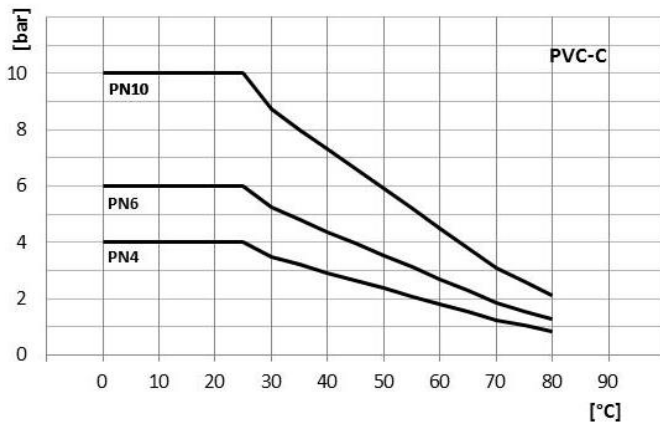


Diagrams:

Flow - characteristic



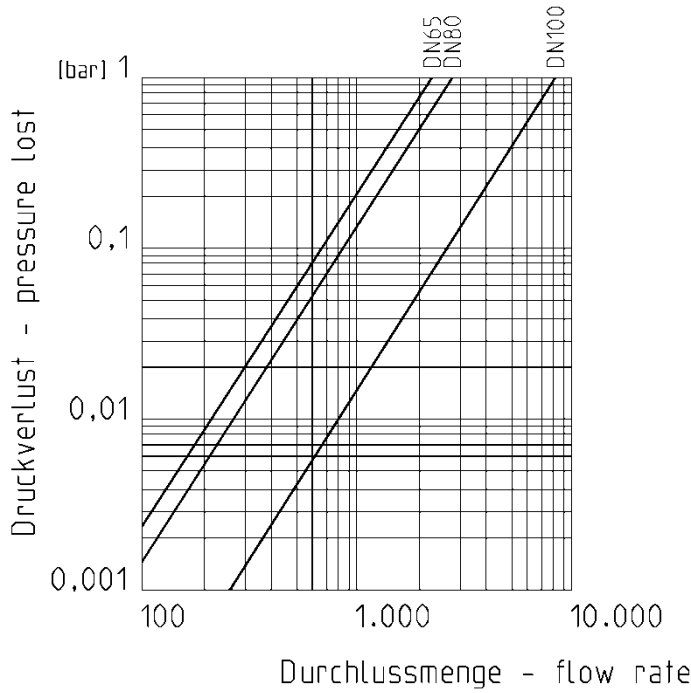
Pressure – temperatur - diagram



Butterfly valve K4 Lug-Type without operation element



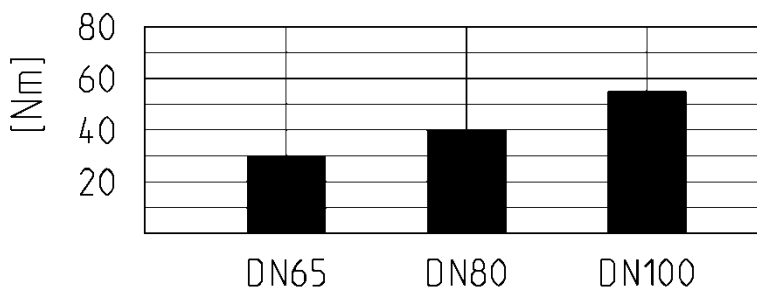
Pressure – loss - diagram



Cv value table

Pressure loss	DN65	DN80	DN100
0,001 bar	73 l/min	88 l/min	260 l/min
1 bar	2300 l/min	2800 l/min	8200 l/min

Torque



Tightening torque of screws for flange connections

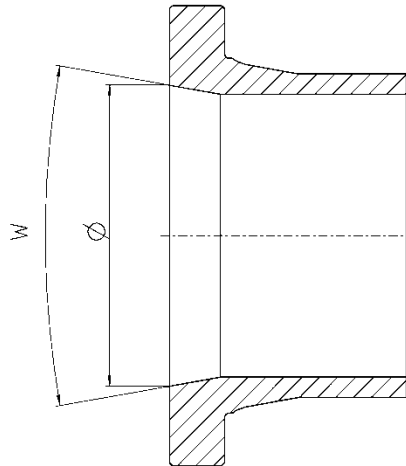
DN	65	80	100
Nm	15	18	20



Butterfly valve K4 Lug-Type without operation element

Installation in piping:

For a correct and complete opening of the flap, it is necessary that the used sockets and stub flanges have at least an inner diameter according to the table.



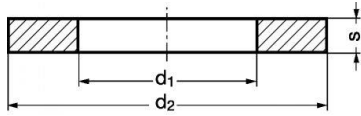
DN	d	Ø (mm)	w (°)
DN50*	d63*	60	40
DN65	d75	60	40
DN80	d90	77	40
DN100	d110	96,5	40

* Suitable only for **DIN** DN50 d63 sockets and stub flanges.

Butterfly valve K4 Lug-Type without operation element

General installation instructions:

- Use suitable washers in accordance with DIN125A.



DN	65	80	100
Thread	M16	M16	M16
d1	17	17	17
d2	30	30	30
s	3	3	3

Dimensions in mm

- Adapt screw length to flange or stub flange.
- Check torque of screws on the opposite side, when one-side is removed (see torque of screws at flange connections).