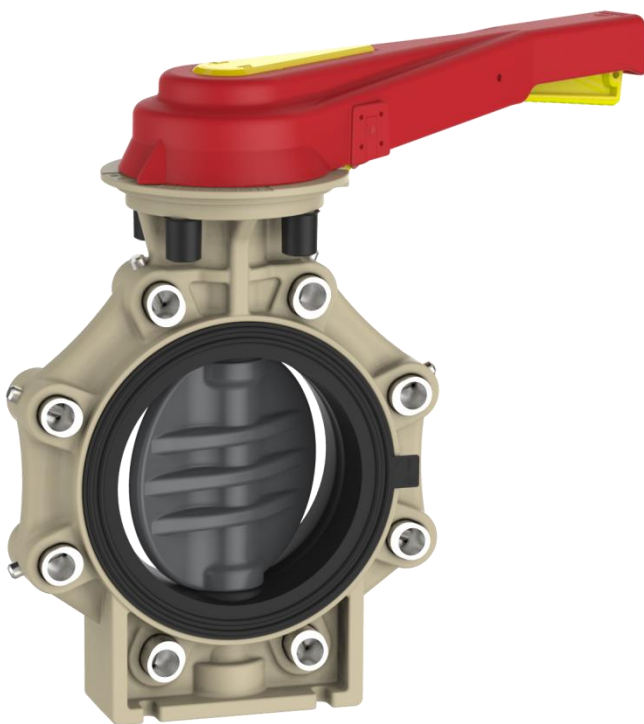


Butterfly valve K4 Lug-Type with hand lever



General:

- Sealing materials: EPDM
FPM
- Body material: PP-GF
- Flap materials: PVC-U, PP-H, PVDF
- Dimensions: DN65 – DN200
d75 – d225
2 ½" – 8"
- Flange standards: DIN 2501 PN 10
ANSI B 16,5 Class 150
- Additional dimensions: DN65/d63 PVC-U
DIN 2501 PN 10
- Insert material: INOX A4
- Pin material: INOX A2

Operating pressure:

PVC-U, PP-H, PVDF

Used as intermediate butterfly valve: PN10

Technical features

- only sleeve gasket and flap in touch with medium
- double sealed shaft
- integrated bracket for fix point mounting
- simple and quick assembling of the actuator without any extra parts
- 10 different disc locking positions
- Reliable „Locking-handle-system“
- Hand lever with marking plate (different colours available)
- Metal adapter between handle and shaft avoids abrasion of the handle
- If used as End-of-line valve a blind flange has to be mounted on the free connection side.
- Pressure has to be reduced if a flange is disassembled on one side
 - DN65 to DN125 → max. 6bar
 - DN150 to DN200 → max. 4bar

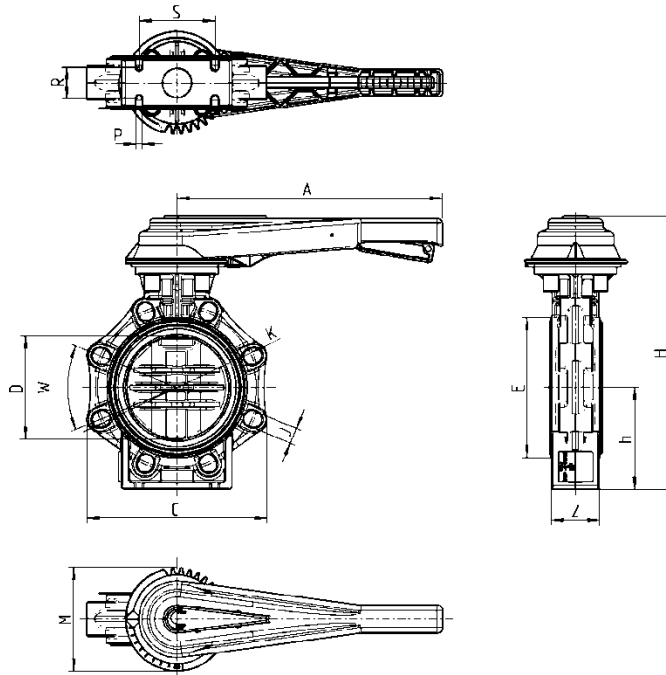
Only temporary usage

This document does not constitute a guarantee, it is for initial information purpose only. The product range is continually upgraded, the designs and types therefore only reflect the state of the art at the time of printing. Subject to technical modifications!

Butterfly valve K4 Lug-Type with hand lever



Dimensions:



| DN | 65 | 80 | 100 | 125 | 150 | 200 |
|--------|-----------|-----------|-------------|-------------|---------------|--------------|
| d | 75 | 90 | 110 | 140 | 160 | 225 |
| G | 2 1/2" | 3" | 4" | 5" | 6" | 8" |
| A | 230 | 230 | 300 | 300 | 386 | 386 |
| D | 65 | 80 | 100 | 125 | 150 | 200 |
| C | 133 | 176 | 206 | 234,5 | 261 | 314 |
| W | 90° | 45° | 45° | 45° | 45° | 45° |
| J | 19 | 19 | 19 | 23 | 23 | 23 |
| K | 127 – 145 | 146 – 160 | 175 – 190,5 | 209,5 – 216 | 234,5 – 241,3 | 290 – 298,45 |
| K-DIN | 145 | 160 | 180 | 210 | 240 | 295 |
| K-ANSI | 139,7 | 152,4 | 190,5 | 215,9 | 241,3 | 298,45 |
| H | 285 | 292 | 322 | 358 | 396 | 458 |
| h | 100 | 100 | 115 | 130 | 147,5 | 175 |
| E | 98 | 116 | 146 | 170 | 196 | 251 |
| M | 114 | 114 | 114 | 114 | 150 | 150 |
| Z | 46 | 49 | 56 | 64 | 70 | 71 |
| S | 55 | 70 | 85 | 100 | 110 | 145 |
| R | 25 | 30 | 35 | 45 | 45 | 40 |
| P | 7 | 9 | 9 | 9 | 9 | 9 |

Dimensions in mm

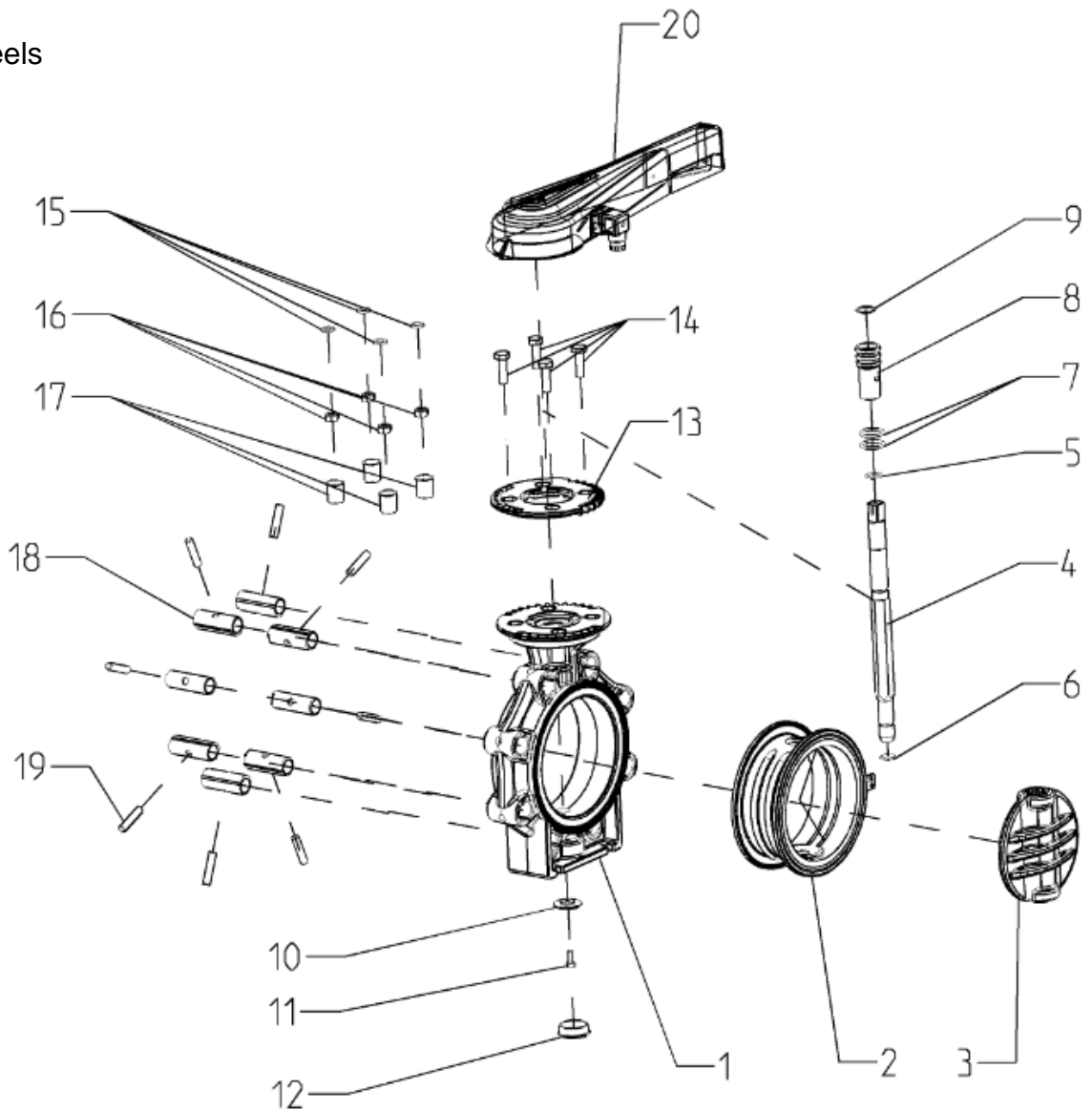


Butterfly valve K4 Lug-Type with hand lever



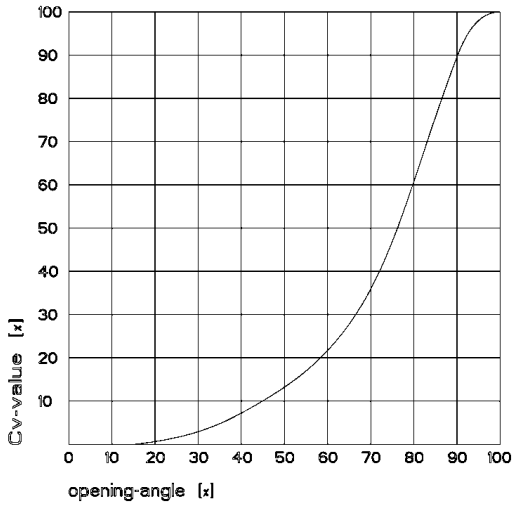
Exploded drawing:

- 01. Body
- 02. Sleeve
- 03. Flap
- 04. Shaft
- 05. Sealing shaft above
- 06. Sealing shaft below
- 07. Sealing pilot bushing
- 08. Pilot bushing
- 09. Retaining ring
- 10. Holding disc
- 11. Screw
- 12. Cap
- 13. Cover plate
- 14. Screws
- 15. Tooth wheels
- 16. Nuts
- 17. Caps
- 18. Inserts
- 19. Pins
- 20. Handle

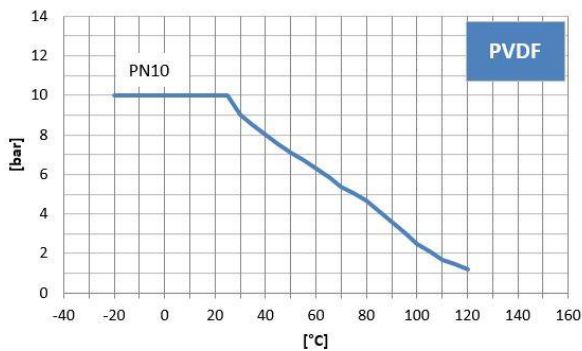
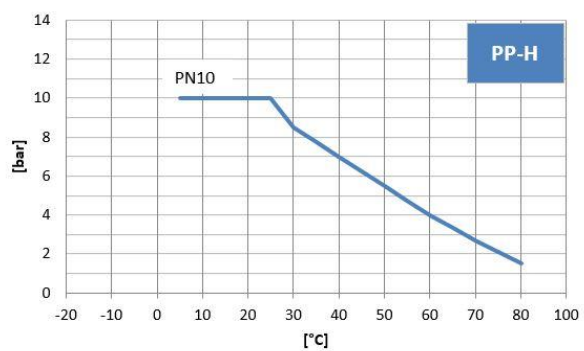
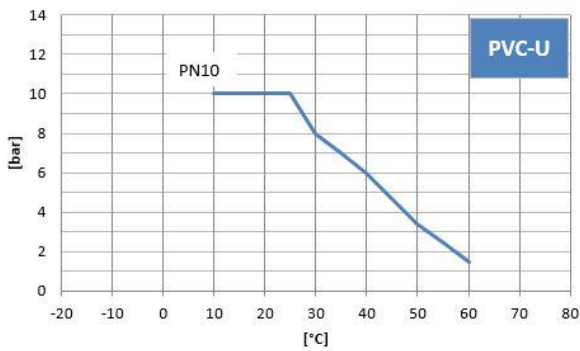


Diagrams:

Flow – characteristics



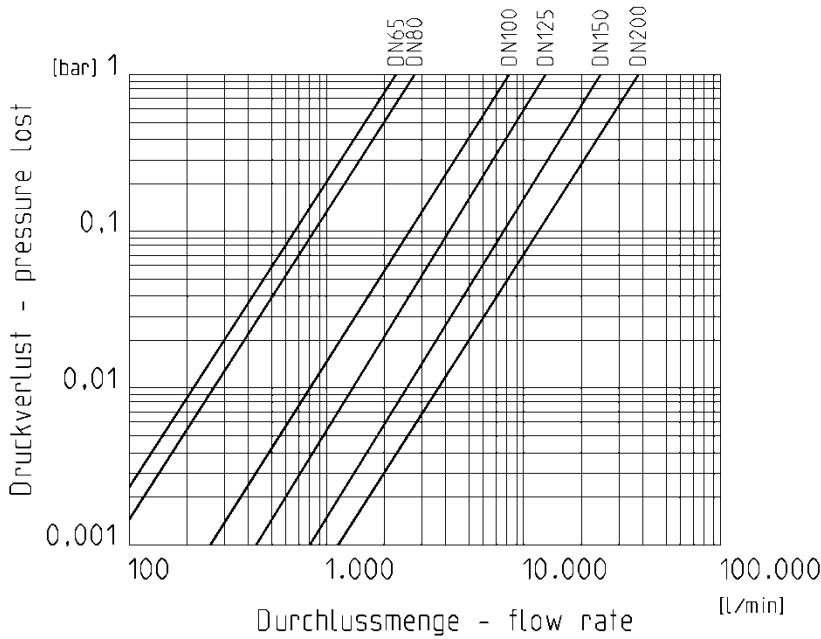
Pressure – Temperature – Diagrams



Butterfly valve K4 Lug-Type with hand lever



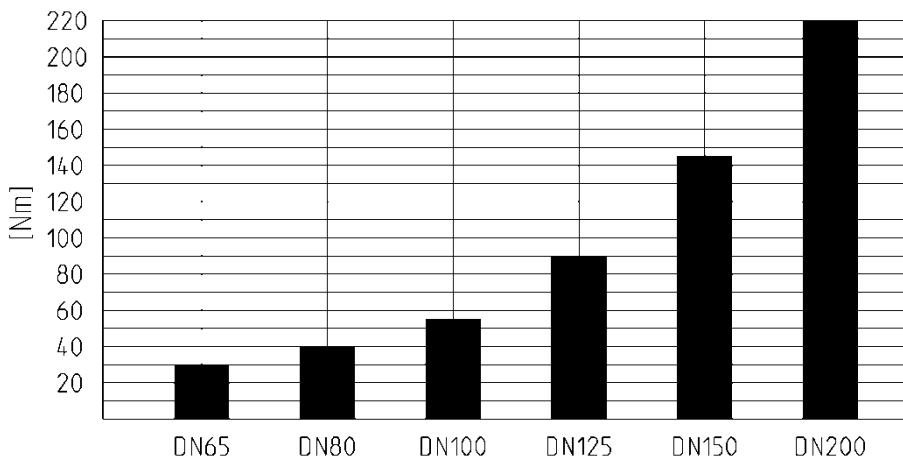
Pressure loss - diagram



Cv value table

| Pressure loss | DN65 | DN80 | DN100 | DN125 | DN150 | DN200 |
|---------------|-------------|-------------|-------------|--------------|--------------|--------------|
| 0,001 bar | 73 l/min | 88 l/min | 260 l/min | 433 l/min | 805 l/min | 1200 l/min |
| 1 bar | 2.300 l/min | 2.800 l/min | 8.200 l/min | 13.700 l/min | 25.500 l/min | 38.000 l/min |

Torque



Tightening torque of screws for flange connections

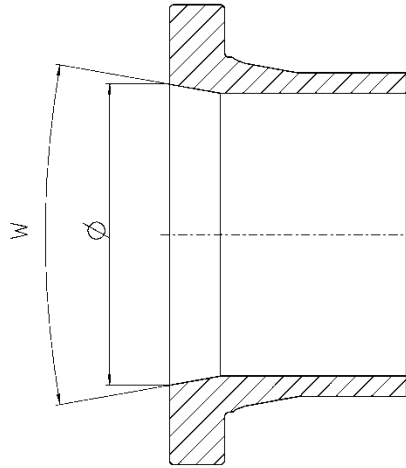
| DN | 65 | 80 | 100 | 125 | 150 | 200 |
|----|----|----|-----|-----|-----|-----|
| Nm | 15 | 18 | 20 | 30 | 40 | 55 |



Butterfly valve K4 Lug-Type with hand lever

Installation in piping:

For a correct and complete opening of the flap, it is necessary that the used sockets and stub flanges have at least an inner diameter according to the table.



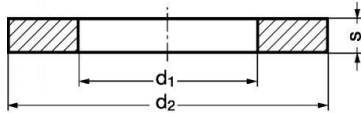
| DN | d | Ø (mm) | w (°) |
|-------|------|-----------|----------|
| DN50* | d63* | 60 | 40 |
| DN65 | d75 | 60 | 40 |
| DN80 | d90 | 77 | 40 |
| DN100 | d110 | 96,5 | 40 |
| DN125 | d140 | 121,5 | 40 |
| DN150 | d160 | 146,5 | 40 |
| DN200 | d225 | 203 | 40 |

* Suitable only for **DIN** DN50 d63 sockets and stub flanges.

Butterfly valve K4 Lug-Type with hand lever

General installation instructions:

- Use suitable washers in accordance with DIN125A.



| DN | 65 | 80 | 100 | 125 | 150 | 200 |
|--------|-----|-----|-----|-----|-----|-----|
| thread | M16 | M16 | M16 | M16 | M20 | M20 |
| d1 | 17 | 17 | 17 | 17 | 21 | 21 |
| d2 | 30 | 30 | 30 | 30 | 37 | 37 |
| s | 3 | 3 | 3 | 3 | 3 | 3 |

Dimensions in mm

- Adapt screw length to flange or stub flange.
- Check torque of screws on the opposite side, when one-side is removed (see torque of screws at flange connections).