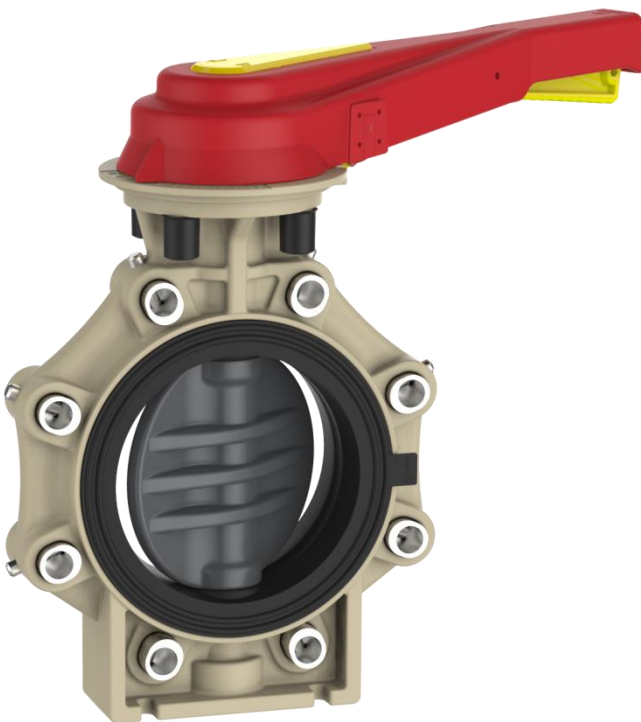


Butterfly Valve K4 Lug-Type with hand lever



General:

- Seal materials: EPDM
FPM
- Body materials: PP-GF
- Flap materials: PVC-C
- Dimensions: DN65 – DN100
d75 – d110
2 ½" – 4"
- Flange standards: DIN 2501 PN 10
ANSI B 16,5 Class 150
- Additional dimensions: DN65/d63
DIN 2501 PN 10
- Material insert: INOX A4
- Material pin: INOX A2

Operating pressure:

PVC-C

Used as intermediate butterfly valve: PN10

Technical features:

- Only sleeve gasket and flap in touch with medium
- doppelte Wellendichtung
- integrated bracket for fix point mounting
- simple and quick assembling of the actuator without any extra parts
- 10 different disc locking positions
- Reliable „Locking-handle-system“
- Hand lever with marking plate (different colours available)
- Metal adapter between handle and shaft avoids abrasion of the handle
- If used as End-of-line valve a blind flange has to be mounted on the free connection side.
- Pressure has to be reduced if a flange is disassembled on one side
 - DN65 to DN125 → max. 6bar
 - DN150 to DN200 → max. 4bar

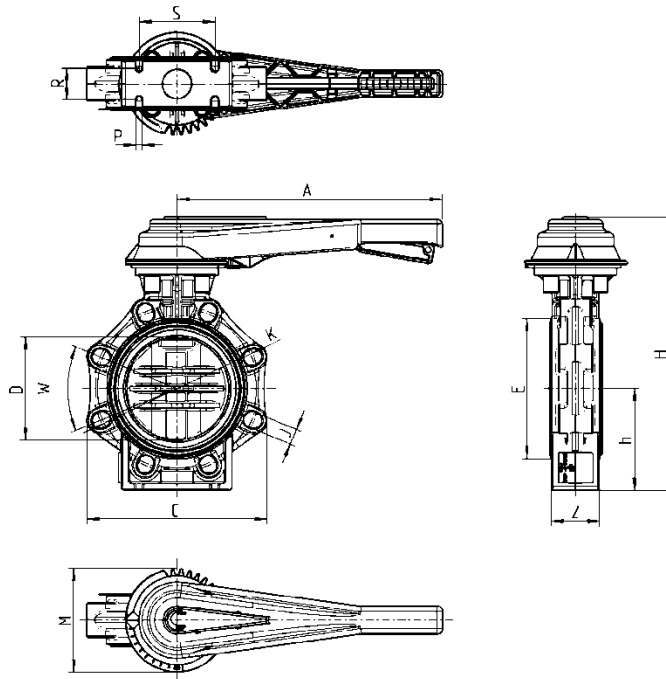
Only temporary usage

This document does not constitute a guarantee, it is for initial information purpose only. The product range is continually upgraded, the designs and types therefore only reflect the state of the art at the time of printing. Subject to technical modifications!

Butterfly Valve K4 Lug-Type with hand lever



Dimensions:



DN	65	80	100
d	75	90	110
G	2 1/2"	3"	4"
A	230	230	300
D	65	80	100
C	133	176	206
W	90°	45°	45°
J	19	19	19
K	127 – 145	146 – 160	175 – 190,5
K-DIN	145	160	180
K-ANSI	139,7	152,4	190,5
H	285	292	322
h	100	100	115
E	98	116	146
M	114	114	114
Z	46	49	56
S	55	70	85
R	25	30	35
P	7	9	9
PN	10	10	10

Dimensions in mm

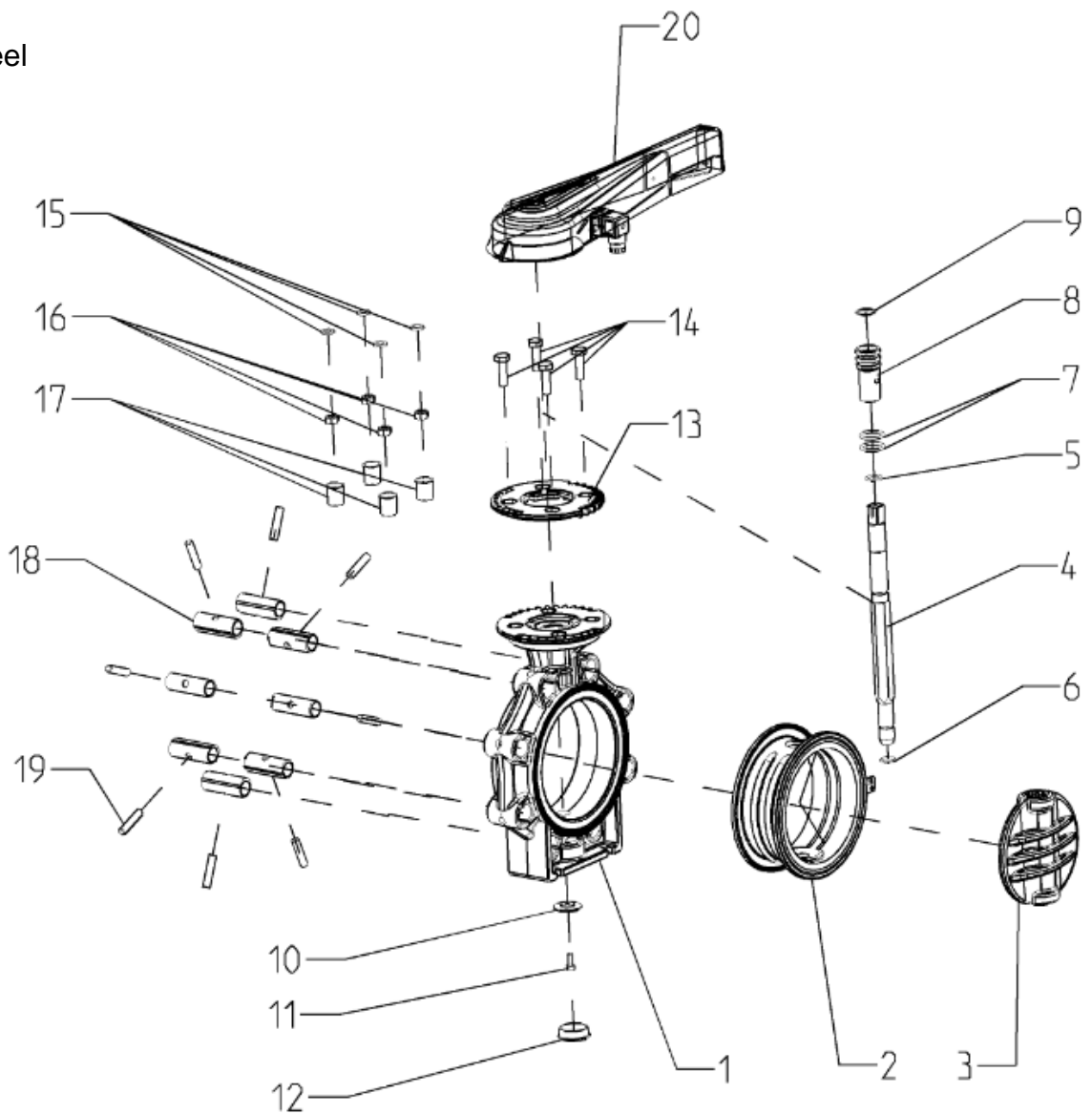


Butterfly Valve K4 Lug-Type with hand lever



Exploded drawing:

- 01. Body
- 02. Sleeve
- 03. Flap
- 04. Shaft
- 05. Seal shaft above
- 06. Seal shaft below
- 07. Seal pilot bushing
- 08. Pilot bushing
- 09. Retaining ring
- 10. Holding disc
- 11. Screw
- 12. Cap
- 13. Cover plate
- 14. Screws
- 15. Tooth wheel
- 16. Nuts
- 17. Caps
- 18. Inserts
- 19. Pins
- 20. Handle

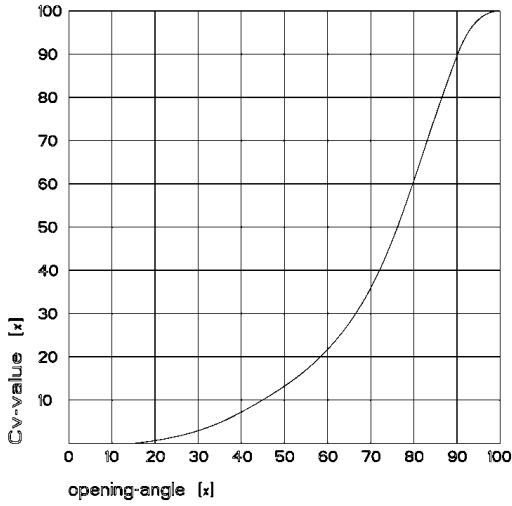


Butterfly Valve K4 Lug-Type with hand lever

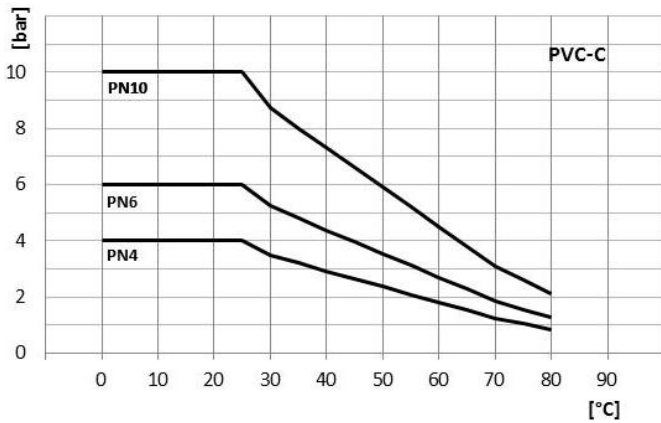


Diagrams:

Flow - characteristic



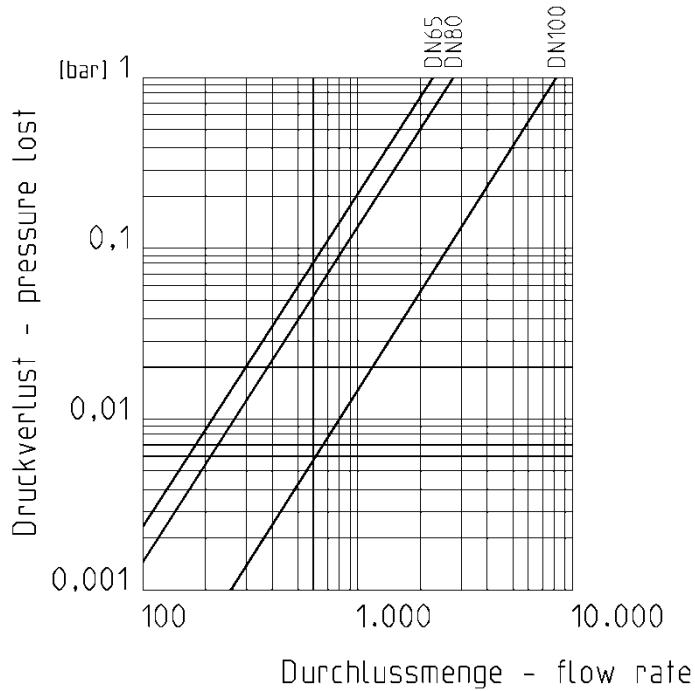
Pressure – temperature - diagram



Butterfly Valve K4 Lug-Type with hand lever



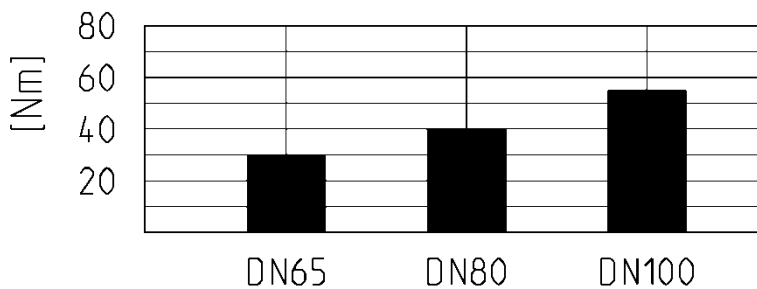
Pressure – loss - diagram



Cv value table

Pressure loss	DN65	DN80	DN100
0,001 bar	73 l/min	88 l/min	260 l/min
1 bar	2.300 l/min	2.800 l/min	8.200 l/min

Torque



Tightening torque of screws for flange connections

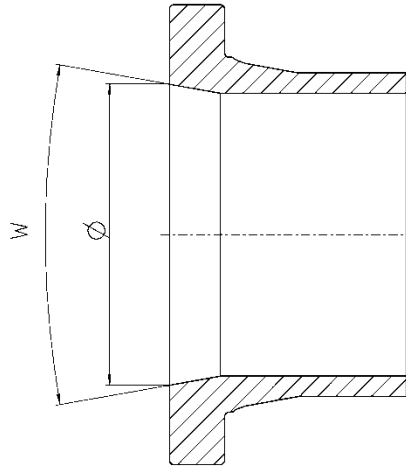
DN	65	80	100
Nm	15	18	20



Butterfly Valve K4 Lug-Type with hand lever

Installation in piping:

For a correct and complete opening of the flap, it is necessary that the used sockets and stub flanges have at least an inner diameter according to the table.



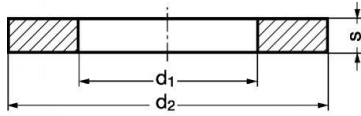
DN	d	Ø (mm)	w (°)
DN50*	d63*	60	40
DN65	d75	60	40
DN80	d90	77	40
DN100	d110	96,5	40

* Suitable only for **DIN** DN50 d63 sockets and stub flanges.

Butterfly Valve K4 Lug-Type with hand lever

General installation instructions:

- Use suitable washers in accordance with DIN125A.



DN	65	80	100
Thread	M16	M16	M16
d1	17	17	17
d2	30	30	30
s	3	3	3

Dimensions in mm

- Adapt screw length to flange or stub flange.
- Check torque of screws on the opposite side, when one-side is removed (see torque of screws at flange connections).