

# Pipe clip PP

for PVC / PP / PVDF / PE pipes



Type A



Type B



Type C



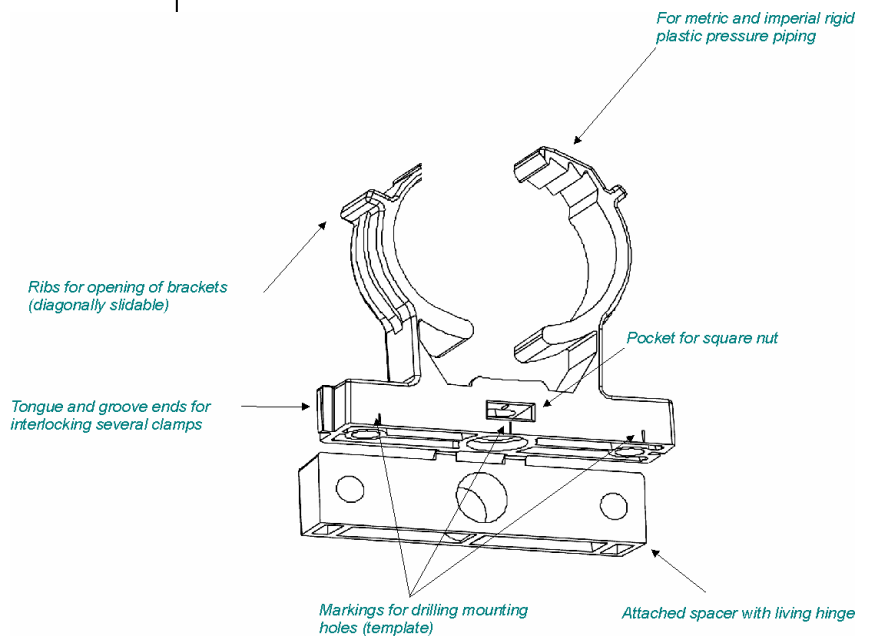
Type D

## General:

- Dimension: Type A d10 – d32  
Type B d16-19 up to d87-95  
ANSI / ASTM / DIN  
JIS / SCH80 pipes  
Type C d25 – d225  
Type D d90 – d400
- Material: PP

## Technical features:

- Corrosion resistant
- Integrated distance plate (Type B)
- Easy assembling
- Long lifetime

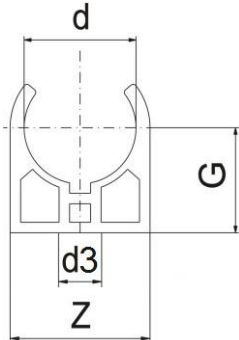


This document does not constitute a guarantee, it is for initial information purposes only. The product range is continually upgraded, the designs and types therefore only reflect the state of the art at the time of printing.  
Subject to technical modifications!

**Pipe clip PP**  
for PVC / PP / PVDF / PE pipes

**Dimensions:**

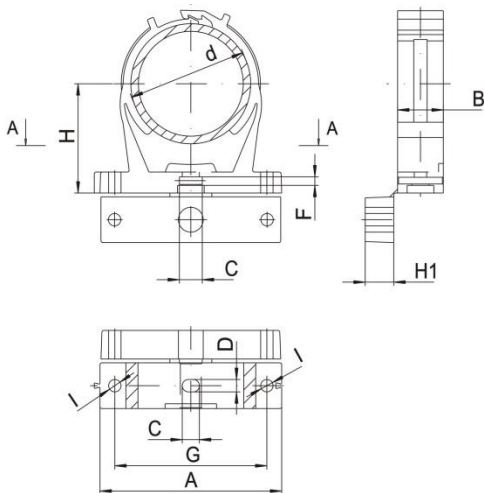
**Type A**



d	10	12	16	20	25	32
G	15,5	17	23	25	27	30
Z	16	19	25	30	35	44,5
d3	3,15	4,15	5,3	5,3	5,3	5,3

Dimensions in mm

**Type B**



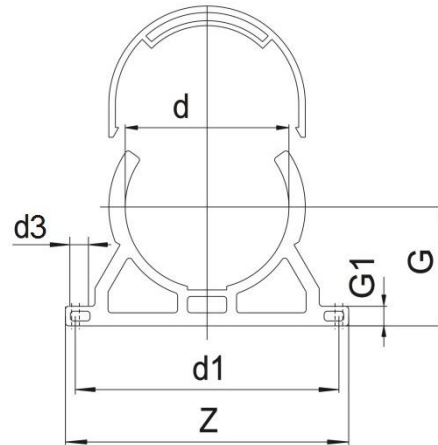
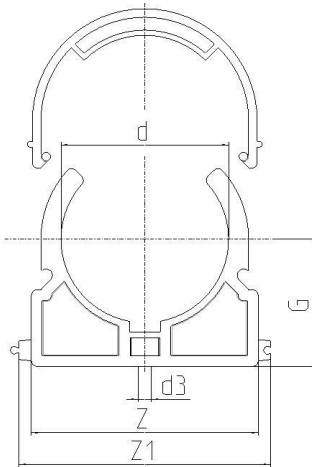
d	20 – 23	25 – 28	31 – 35	39 – 43	47 – 51	60 – 65	72 – 80	87 – 95
	1/2"	3/4"	1"	1 1/4"	1 1/2"	2"	2 1/2"	3"
A	56	61	67	80	84,5	96,5	126	137
B	14	16	16	17,5	20	24	26	26
C	9	9	9	9	9	9	12	12
D	6,5	6,5	6,5	6,5	6,5	6,5	8,5	8,5
F	3,5	3,5	3,5	3,5	3,5	3,5	4,3	4,3
G	51	46	52	67	70	80	106	117
H	27	30	31,5	37	41	49	70	80
H1	6	10	11,5	14	15	15	15	20
I	6,5	6,5	6,5	6,5	6,5	6,5	8,5	8,5

Dimensions in mm

d16 – 19 on request

**Pipe clip PP**  
for PVC / PP / PVDF / PE pipes

**Type C**

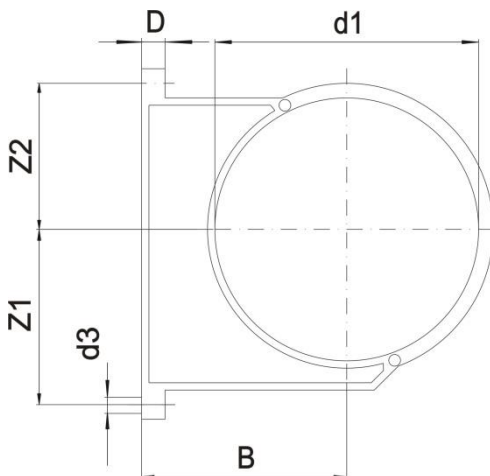


d	25	32	40	50	63	75	90
G	27,5	30,5	34,5	41,5	50	58	68
Z	35	44,5	55,5	68,5	85	101	120
Z1	41	50,5	61,5	74,5	94	110	129
d3	5,3	5,3	5,3	6,3	6,8	6,8	6,8

d	110	125	140	160	200	225
d1	167	185	204	228	287	325
G	80	105	114	124	158	170,5
G1	17	35	35	35	48	48
Z	189	207	226	250	311	344
d3	8,2	8,2	8,2	8,2	8,2	8,2

Dimensions in mm

**Type D**



d1	90	110	125	140	160	200	225	250	280	315	355	400
d3	9	9	11	11	11	13	13	13	13	13	17	17
B	105	115	130	130	147,5	175	175	200	200	225	257,5	287,5
D	15	15	20	20	20	25	25	25	25	25	30	30
Z1	89	94	115,5	120,5	130,5	151,5	164,5	182,5	197,5	218,5	275	300
Z2	71	79,5	91	97,5	106,5	119,5	131,5	142,5	155,5	171,5	208,5	228

Dimensions in mm

**Pipe clip PP**  
for PVC / PP / PVDF / PE pipes



**Pipe clip spacing**

The recommended pipe clip spacing is based on DVS 2210-1 at a density of the fluid of 1 g/cm<sup>3</sup>.

The following parameters have an influence on the pipe clip spacing:

- pipe material
- pipe diameter
- pipe wall thickness
- average pipe wall temperature
- density of fluid

Due to DVS 2210-1 the following conversion factors can be used to determine the pipe clip spacing if the fluid has another density than 1 g/cm<sup>3</sup>:

material	PN	Density fluid [g/cm <sup>3</sup> ]		
		Gas	other	
		<0,01	1,25	1,5
PE-HD	10	1,3	0,96	0,92
	16	1,21		
PP	10	1,3		
	16	1,21		
PVC-U	10	1,42		
	16	1,3		
PVC-C	10	1,4		
	16	1,27		
PVDF	10	1,48		
	16	1,36		

**Pipe clip PP**  
for PVC / PP / PVDF / PE pipes



**Pipe clip spacing PVC-U PN10**

Pipe size d	pipe wall temperature				
	20°C	30°C	40°C	50°C	60°C
16	950	900	850	750	600
20	1100	1050	1000	900	700
25	1200	1150	1050	950	750
32	1350	1300	1250	1100	900
40	1450	1400	1350	1250	1000
50	1600	1550	1500	1400	1150
63	1800	1750	1700	1550	1300
75	2000	1900	1850	1700	1450
90	2200	2100	2000	1850	1550
110	2400	2300	2250	2050	1750
125	2550	2450	2400	2200	1850
140	2700	2600	2500	2300	1950
160	2900	2800	2700	2500	2100
180	3100	2950	2850	2650	2200
200	3250	3150	3000	2800	2350
225	3450	3300	3200	2950	2500

Dimensions in [mm]

**Pipe clip spacing PVC-U PN16**

Pipe size d	pipe wall temperature				
	20°C	30°C	40°C	50°C	60°C
16	950	900	850	750	600
20	1188	1134	1080	972	756
25	1296	1242	1134	1026	810
32	1458	1404	1350	1188	972
40	1566	1512	1458	1350	1080
50	1728	1674	1620	1512	1242
63	1944	1890	1836	1674	1404
75	2160	2052	1998	1836	1566
90	2376	2268	2160	1998	1674
110	2592	2484	2430	2214	1890
125	2754	2646	2592	2376	1998
140	2916	2808	2700	2484	2106
160	3132	3024	2916	2700	2268
180	3348	3186	3078	2862	2376
200	3510	3402	3240	3024	2538
225	3726	3564	3456	3186	2700

Dimensions in [mm]

**Pipe clip spacing PVC-C PN10**

Pipe size d	pipe wall temperature							
	20°C	30°C	40°C	50°C	60°C	70°C	80°C	90°C
16	1000	950	900	850	750	675	600	500
20	1150	1100	1025	950	875	775	700	600
25	1200	1150	1100	1000	900	800	700	600
32	1350	1250	1200	1100	1000	900	800	700
40	1500	1400	1300	1250	1150	1050	900	800
50	1650	1600	1500	1400	1300	1200	1100	900
63	1850	1750	1650	1600	1500	1350	1250	1050
75	2050	1950	1850	1750	1650	1500	1350	1200
90	2250	2100	2000	1900	1800	1650	1500	1300
110	2500	2350	2200	2100	1950	1800	1650	1450
125	2650	2500	2350	2250	2100	1950	1750	1550
140	2800	2650	2500	2350	2200	2050	1850	1650
160	3000	2850	2700	2550	2400	2200	2000	1750
180	3150	3000	2850	2700	2500	2300	2100	1850
200	3350	3150	3000	2850	2650	2450	2200	1950
225	3550	3350	3200	3000	2800	2600	2350	2100

Dimensions in [mm]

**Pipe clip spacing PVC-C PN16**

Pipe size d	pipe wall temperature							
	20°C	30°C	40°C	50°C	60°C	70°C	80°C	90°C
16	1000	950	900	850	750	675	600	500
20	1150	1100	1025	950	875	775	700	600
25	1200	1150	1100	1000	900	800	700	600
32	1350	1250	1200	1100	1000	900	800	700
40	1620	1512	1404	1350	1242	1134	972	864
50	1782	1728	1620	1512	1404	1296	1188	972
63	1998	1890	1782	1728	1620	1458	1350	1134
75	2214	2106	1998	1890	1782	1620	1458	1296
90	2430	2268	2160	2052	1944	1782	1620	1404
110	2700	2538	2376	2268	2106	1944	1782	1566
125	2862	2700	2538	2430	2268	2106	1890	1674
140	3024	2862	2700	2538	2376	2214	1998	1782
160	3240	3078	2916	2754	2592	2376	2160	1890
180	3402	3240	3078	2916	2700	2484	2268	1998
200	3618	3402	3240	3078	2862	2646	2376	2106
225	3834	3618	3456	3240	3024	2808	2538	2268

Dimensions in [mm]

**Pipe clip PP**  
for PVC / PP / PVDF / PE pipes



**Pipe clip spacing PP PN10 / SDR11**

Pipe size d	pipe wall temperature						
	20°C	30°C	40°C	50°C	60°C	70°C	80°C
16	650	625	600	775	550	525	500
20	700	675	650	625	600	575	550
25	800	775	750	725	700	675	650
32	950	925	900	875	850	800	750
40	1100	1075	1050	1000	950	925	875
50	1250	1225	1200	1150	1100	1050	1000
63	1450	1425	1400	1350	1300	1250	1200
75	1550	1500	1450	1400	1350	1300	1250
90	1650	1600	1550	1500	1450	1400	1350
110	1850	1800	1750	1700	1600	1500	1400
125	2000	1950	1900	1800	1700	1600	1500
140	2100	2050	2000	1900	1800	1700	1600
160	2250	2200	2100	2000	1900	1800	1700
180	2350	2300	2200	2100	2000	1900	1800
200	2500	2400	2300	2200	2100	2000	1900
225	2650	2550	2450	2350	2250	2150	2000

Dimensions in [mm]

**Pipe clip spacing PP PN16 / SDR7.4**

Pipe size d	pipe wall temperature						
	20°C	30°C	40°C	50°C	60°C	70°C	80°C
16	696	669	642	829	589	562	535
20	749	722	696	669	642	615	589
25	856	829	803	776	749	722	696
32	1017	990	963	936	910	856	803
40	1177	1150	1124	1070	1017	990	936
50	1338	13108	1284	1231	1177	1124	1070
63	1552	1525	1498	1445	1391	1338	1284
75	1659	1605	1552	1498	1445	1391	1338
90	1766	1712	1659	1605	1552	1498	1445
110	1980	1926	1873	1819	1712	1605	1498
125	2140	2087	2033	1926	1819	1712	1605
140	2247	2194	2140	2033	1926	1819	1712
160	2408	2354	2247	2140	2033	1926	1819
180	2515	2461	2354	2247	2140	2033	1926
200	2675	2568	2461	2354	2247	2140	2033
225	2836	2729	2622	2515	2408	2301	2140

Dimensions in [mm]

**Pipe clip PP**  
for PVC / PP / PVDF / PE pipes



**Pipe clip spacing PE PN10 / SDR17**

Pipe size d	pipe wall temperature				
	20°C	30°C	40°C	50°C	60°C
16	500	450	450	400	350
20	575	550	500	450	400
25	650	600	550	550	500
32	750	750	650	650	550
40	900	850	750	750	650
50	1050	1000	900	850	750
63	1200	1150	1050	1000	900
75	1350	1300	1200	1100	1000
90	1500	1450	1350	1250	1150
110	1650	1600	1500	1450	1300
125	1750	1700	1600	1550	1400
140	1900	1850	1750	1650	1500
160	2050	1950	1850	1750	1600
180	2150	2050	1950	1850	1750
200	2300	2200	2100	2000	1900
225	2450	2350	2250	2150	2050

Dimensions in [mm]

**Pipe clip spacing PE PN16 / SDR11**

Pipe size d	pipe wall temperature				
	20°C	30°C	40°C	50°C	60°C
16	535	482	482	428	375
20	615	589	535	482	428
25	696	642	589	589	535
32	803	803	696	696	589
40	963	910	803	803	696
50	1124	1070	963	910	803
63	1284	1231	1124	1070	963
75	1445	1391	1284	1177	1070
90	1605	1552	1445	1338	1231
110	1766	1712	1605	1552	1391
125	1873	1819	1712	1659	1498
140	2033	1980	1873	1766	1605
160	2194	2087	1980	1873	1712
180	2301	2194	2087	1980	1873
200	2461	2354	2247	2140	2033
225	2622	2515	2408	2301	2194

Dimensions in [mm]



**Pipe clip spacing PVDF PN10 / SDR33**

Pipe size d	pipe wall temperature								
	20°C	30°C	40°C	50°C	60°C	70°C	80°C	100°C	120°C
16	725	700	650	600	575	550	500	450	400
20	850	800	750	750	700	650	600	500	450
25	950	900	850	800	750	700	675	600	500
32	1100	1050	1000	950	900	850	800	700	600
40	1200	1150	1100	1050	1000	950	900	750	650
50	1400	1350	1300	1200	1150	1100	1000	900	750
63	1400	1350	1300	1250	1200	1150	1100	950	800
75	1500	1450	1400	1350	1300	1250	1200	1050	850
90	1600	1550	1500	1450	1400	1350	1300	1100	950
110	1800	1750	1700	1650	1550	1500	1450	1250	1100
125	1900	1850	1800	1700	1650	1600	1500	1350	1200
140	2000	1950	1900	1800	1750	1700	1600	1450	1250
160	2150	2100	2050	1950	1850	1800	1700	1550	1350
180	2300	2200	2150	2050	1950	1900	1800	1600	1400
200	2400	2350	2250	2150	2100	2000	1900	1700	1500
225	2550	2500	2400	2300	2200	2100	2000	1800	1600

Dimensions in [mm]

**Pipe clip spacing PVDF PN16 / SDR21**

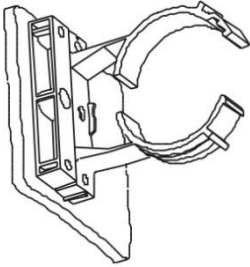
Pipe size d	pipe wall temperature								
	20°C	30°C	40°C	50°C	60°C	70°C	80°C	100°C	120°C
16	725	700	650	600	575	550	500	450	400
20	850	800	750	750	700	650	600	500	450
25	950	900	850	800	750	700	675	600	500
32	1100	1050	1000	950	900	850	800	700	600
40	1200	1150	1100	1050	1000	950	900	750	650
50	1400	1350	1300	1200	1150	1100	1000	900	750
63	1512	1458	1404	1350	1296	1242	1188	1026	864
75	1620	1566	1512	1458	1404	1350	1296	1134	918
90	1728	1674	1620	1566	1512	1458	1404	1188	1026
110	1944	1890	1836	1782	1674	1620	1566	1350	1188
125	2052	1998	1944	1836	1782	1728	1620	1458	1296
140	2160	2106	2052	1944	1890	1836	1728	1566	1350
160	2322	2268	2214	2106	1998	1944	1836	1674	1458
180	2484	2376	2322	2214	2106	2052	1944	1728	1512
200	2592	2538	2430	2322	2268	2160	2052	1836	1620
225	2754	2700	2592	2484	2376	2268	2160	1944	1728

Dimensions in [mm]

**Pipe clip PP**  
for PVC / PP / PVDF / PE pipes

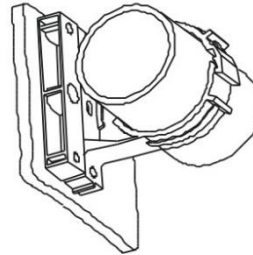
**Mounting of pipes**

1



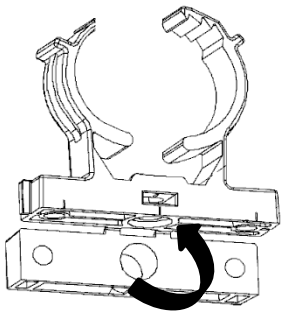
Mount the pipe clip on the wall, with a dowel and a screw

2



Press the pipe towards the wall.  
Finished!

**Mounting of a ball valve**



Turn the attached spacer with living hinge back and mount it with a screw (10 mm longer). Mounting of pipe clips is recommended at each outlet of the ball valve.