



**GOLDEN
WAVE**
INNOVATIONSPREIS

QUICK & SAFE: ENVIRONMENTAL-FRIENDLY AND ADHESIVE-FREE FLEX-FIT PIPE CONNECTIONS BY PRAHER/IBG

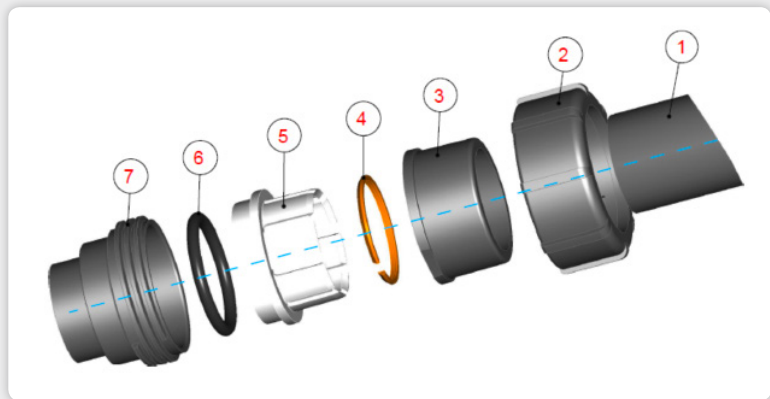
The easy-to-handle Flex-Fit connections for PVC hoses are high-quality precision parts with numerous advantages. Besides an extraordinary life-span short installation time has to be pointed out as well as independence from temperature and air humidity. Up to 25 m length (50m on request) without any fitting means less adhesive joints, less leakage-risk and therefore quick and easy installation. No use of glue and cleaner, no drying time, no safety measures are clear advantages for humans and environment. The total piping system is 100% proof for leakage and pressure (max. 4 bar) immediately after installation. Things which can easily be installed also can easily be removed.

The complete Praher/IBG Flex-Fit® compression system for ponds, pool filter and irrigation systems are in accordance with strict European health standards.

Connection types:

hose to hose, pipe to hose, hose to thread connection.

1. Pipe (PVC)
2. Union nut (PVC)
3. Clamping sleeve (PVC)
4. Brass ring (brass)
5. Clamping ring (POM)
6. O-ring (EPDM)
7. Connection (PVC)



Material: PVC-U
Sealing: EPDM
Dimensions: DN40 / DN50

Connection versions:
clamp – clamp
clamp – solvent socket
clamp – solvent spigot
clamp – male thread
clamp – female thread

Operation pressure:
PVC-hose
DN40 / DN50: PN4 (fitting)

PE-pipe
DN40: MOP8
DN50: MOP6

PVC-pipe:
DN40: MOP8
DN50: MOP6