

AQUASTAR *mp6*
plc

DATASHEET

AQUASTAR *mp6* *plc*



GENERAL

1. Automation of the 6-way valves of Praher Plastics Austria GmbH
2. A lifting and rotating actuator for PLC controls
3. For 1,5", 2" and 3" Valves
4. 24V AC/ DC and 100-265V AC
5. Easy to retrofit
6. Made for plc signals
7. Error-Handling integrated
8. Relays with gold contacts
9. Protection IP65
10. Emergency handle
11. Optical position indicator
12. Electric feedback for on position
13. Additional position CLOSED
14. Additional position Winter

APPLICATIONS

- Industrial, commercial and private use
- Car wash sites, industrial kitchen, pools, fish farming,...
- Integration in smart homes
- Integration in PLC's

TECHNICAL DATAS

Aquastar

<i>Voltage:</i>	24 V AC/DC 100-240V AC (170 – 300V DC)
<i>Protection:</i>	IP 65
<i>Frequency:</i>	50/60 Hz /DC
<i>Rated operating current:</i>	1,5"-2" / 3" 0,7 / 1A at 24V AC 0,5 / 0,7A at 24V DC 85 / 130mA at 230V AC
<i>Max. Power:</i>	20W at 1,5"-2" / 30W at 3"
<i>Environmental conditions:</i>	0-40°C, 0-95%RH not condensing
<i>Max static pressure:</i>	0,3 Bar
<i>Max water column:</i>	3 m

Praher Plastics 6-Way Valve

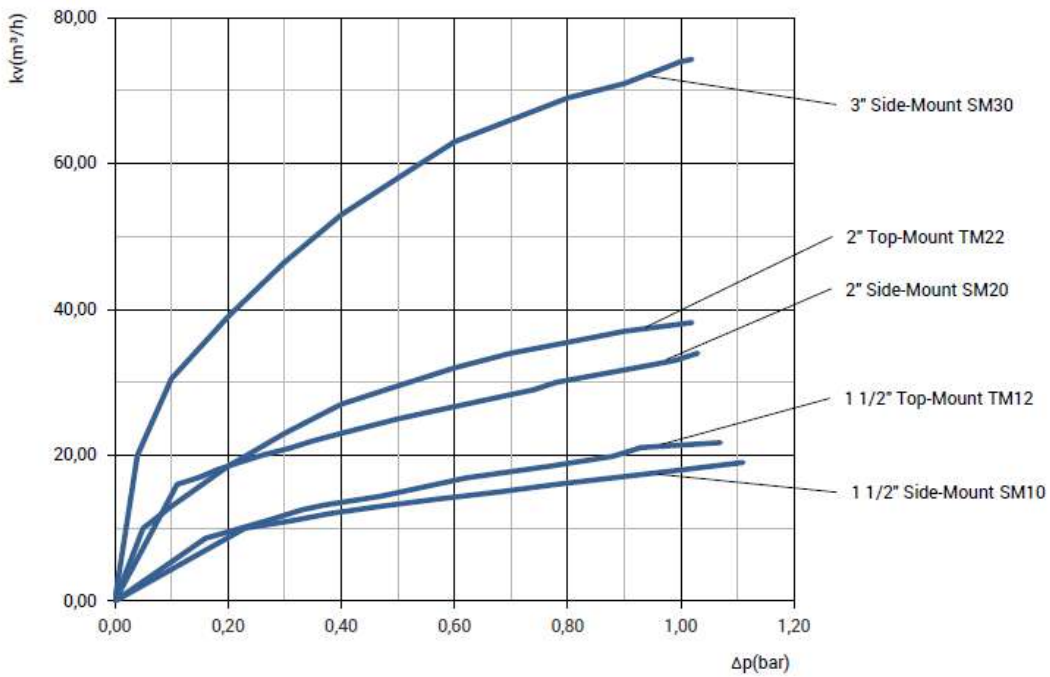
<i>Body material:</i>	1,5" – 2" 3"	ABS / ASA-GF ASA-GF
<i>Seals:</i>	TPE + NBR	
<i>Maximum operating pressure:</i>	1,5" – 2" 3"	ABS: 3,5 Bar (20°C) ASA-GF: 6 Bar (20°C) ASA-GF: 5 Bar (20°C)
<i>Maximum pressure when the valve plate is lifting</i>	0,3 Bar	

The Aquastar mp6 plc is fully assembled only available in combination with an SM-valve. But it can also be mounted on TM-valves.

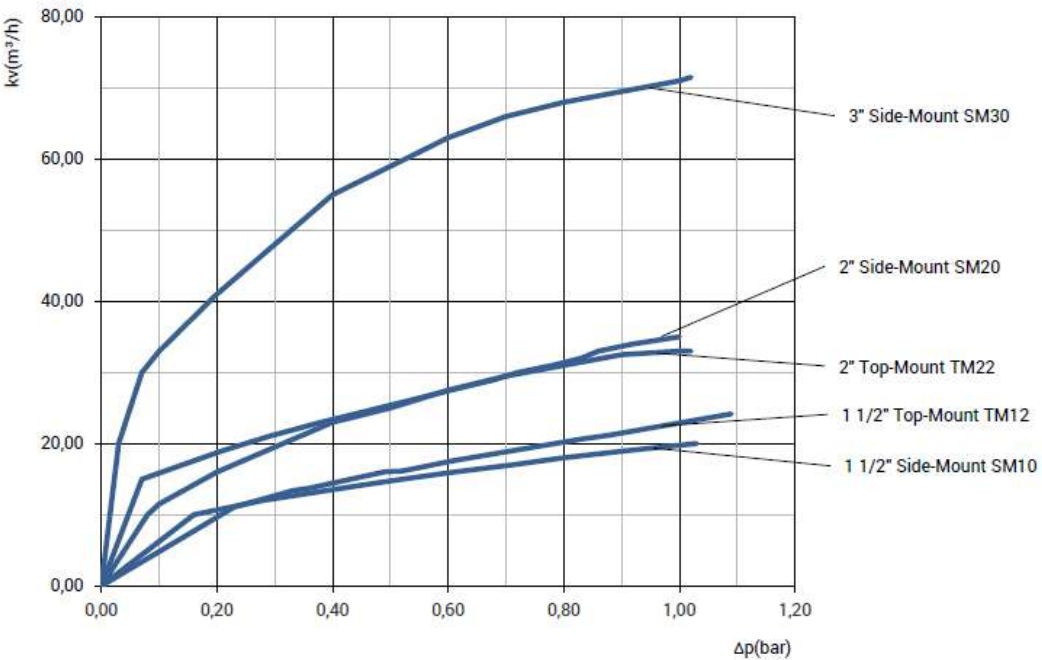
*Even when retrofitting, the Aquastar mp6 plc must not be built on a 3" ABS valve.
With 3", an ASA-GF valve is to be used.*

DIAGRAMS

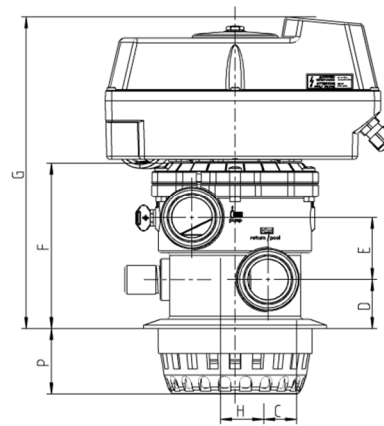
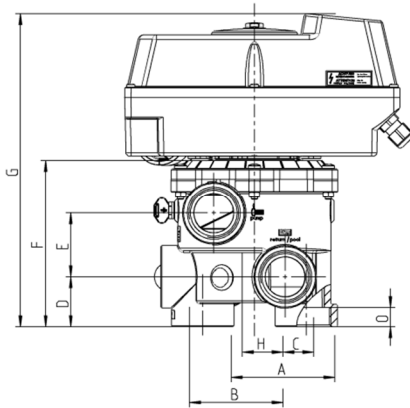
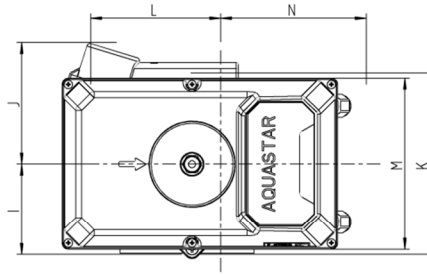
Pressure loss diagram filter



Pressure loss diagram backwash



DIMENSIONS

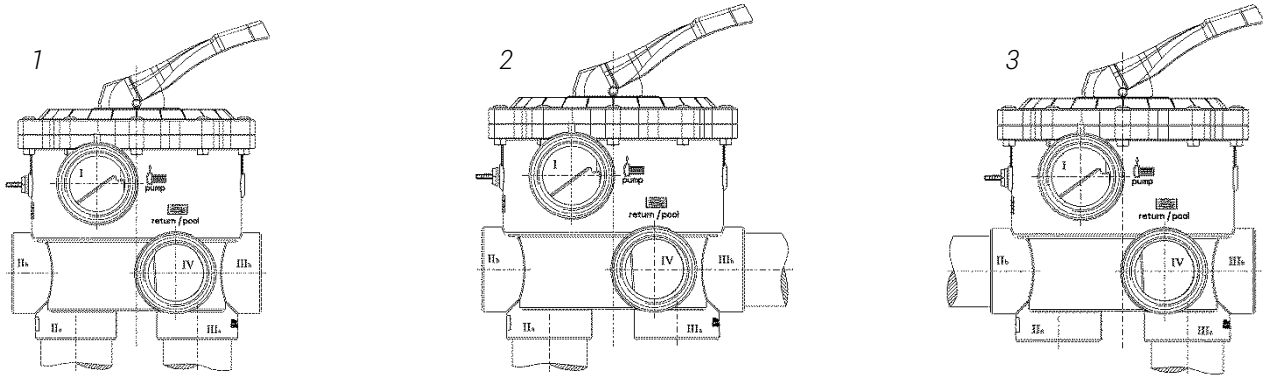


	1 ½" SM	1 ½" TM	2" SM	3" SM
A	99,5	X	110	170
B	90	X	114	165
C	29,5	31,5	38	50
D	48	47	60	85,5
E	61,5	59,5	81	110
F	163,5	160	210	306
G	304	300	348	445
H	39	42,5	36	50
I	87,5	90	114	165
J	117	117	117	117
K	175	180	228	330
L	125	125	125	125
M	165	165	165	165
N	140	140	140	140
O	18,5	18,5	26	35
P	X	62,5	X	X

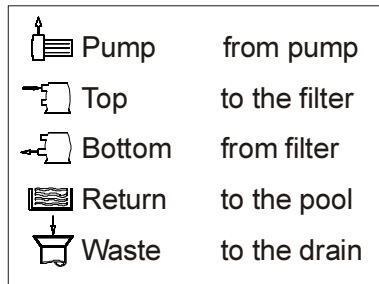
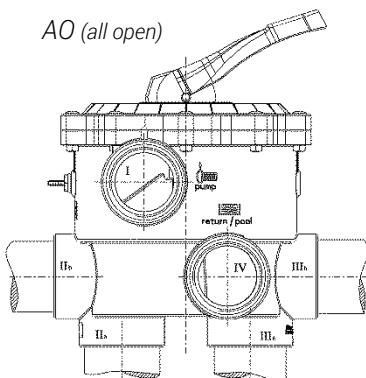
Dimensions in mm

VALVE

Variants of SIDE MOUNT 1 1/2", 2" and 3":



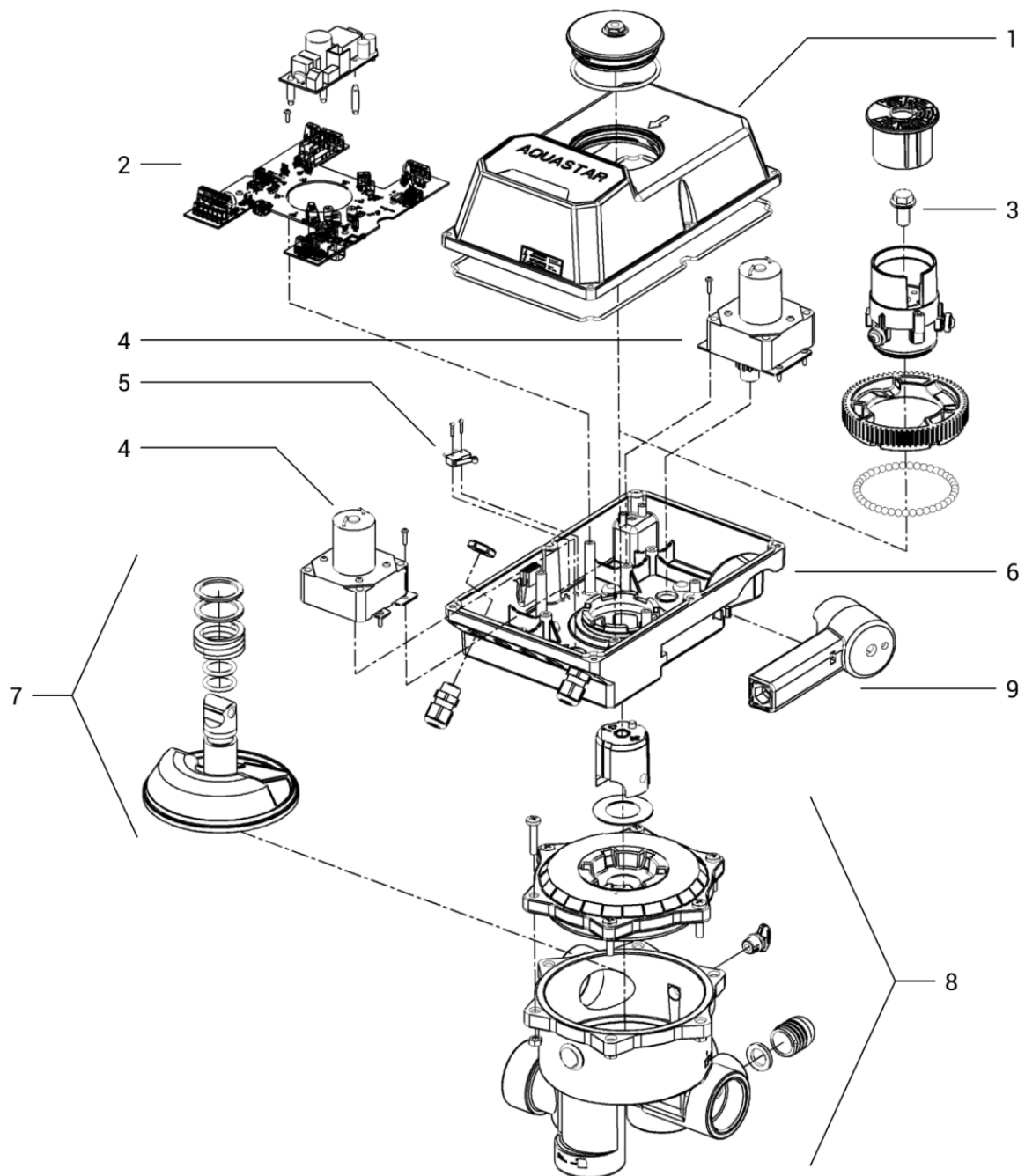
AO (all open)



Function diagram of Praher Plastics Austria 6-way valve

<p>1. FILTER filter top</p> <p>pump drain</p> <p>pool</p> <p>filter bottom</p>	<p>Filtration of medium (e.g. Water)</p> <p>Pool → Pump → Valve (to filter) → Filter → Valve (from Filter) → Pool</p>	<p>2. WASTE filter top</p> <p>pump drain</p> <p>pool</p> <p>filter bottom</p>	<p>Drainage of pool with pump</p> <p>Pool → Pump → Valve → Drain</p>
<p>3. CLOSED filter top</p> <p>pump drain</p> <p>pool</p> <p>filter bottom</p>	<p>No circulation. Do not operate pump</p> <p>Pool → Pump → Valve</p>	<p>4. BACKWASH filter top</p> <p>pump drain</p> <p>pool</p> <p>filter bottom</p>	<p>Cleaning up filter medium (e.g. Sand) in upstream (reversed flow in filter)</p> <p>Pool → Pump → Valve (from filter) → Filter → Valve (to Filter) → Waste</p>
<p>5. RECIRCULATE filter top</p> <p>pump drain</p> <p>pool</p> <p>filter bottom</p>	<p>Recirculate of fluid without filter (Bypass filter)</p> <p>Pool → Pump → Valve → Pool</p>	<p>6. RINSE filter top</p> <p>pump drain</p> <p>pool</p> <p>filter bottom</p>	<p>Cleaning of filter medium (e.g. Sand) after backwash</p> <p>Pool → Pump → Valve (to filter) → Filter → Valve (from Filter) → Waste</p>

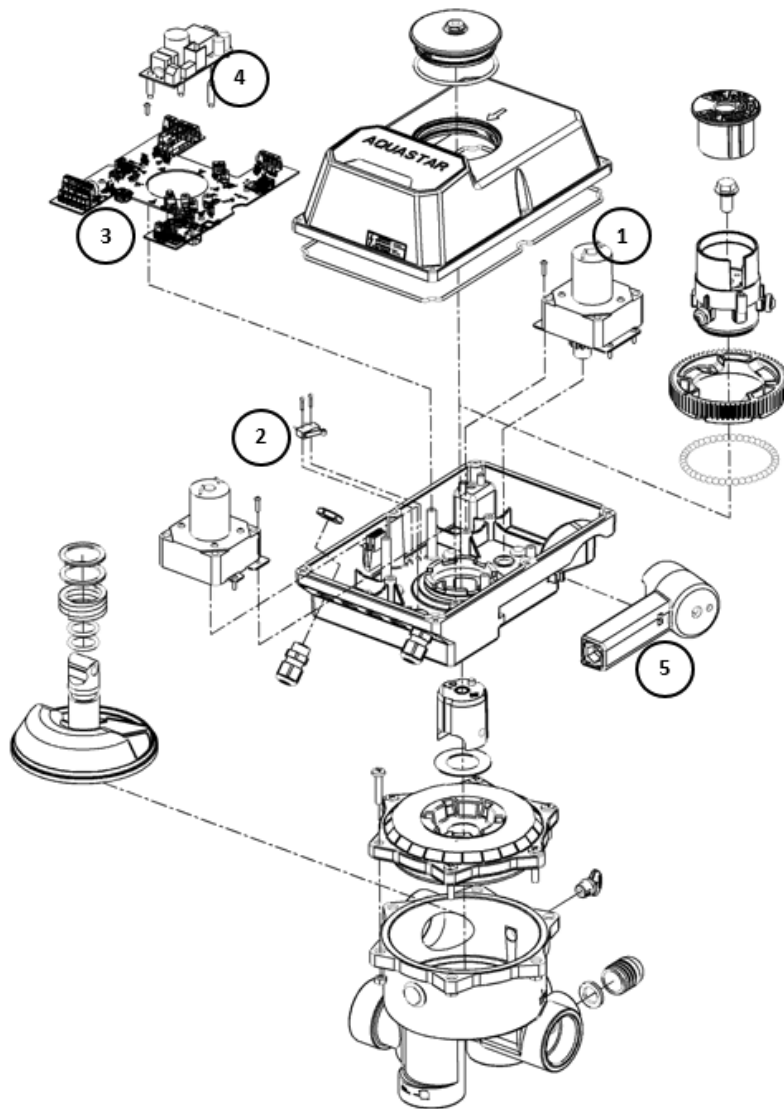
EXPLODED VIEW



1. Aquastar lid with foam rubber cord
2. Control board
3. Hexagon screw
4. Gear motor
5. Pump end switch
6. Aquastar body bottom

7. Valve plate set up
8. V6ND valve 1 ½", 2" und 3"
9. Emergency handle

ACCESSORIES AND SPARE PARTS



Item number	Product name	Included	Information
131280	Spare part kit for Aquastar - motor 6V DC - Motor	1	1 pcs
131281	Spare part kit for Aquastar - pump switch for 6VDC motor	2	
131409	Spare part kit for Aquastar mp6 plc - circuit board 230V	3+4	
131410	Spare part kit for Aquastar mp6 plc - circuit board 24V AC/DC	3	
101862	Emergency handle in ABS black	5	

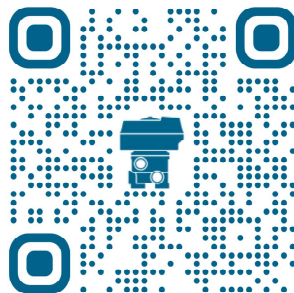
Praher Plastics Austria GmbH

Poneggenstraße 5
4311 Schwertberg
Österreich

T +43 7262 61179-0
F +43 7262 61203
sales@praherplastics.com

Connections of an Aquastar mp6 plc made by
Praher Plastics

<https://www.youtube.com/watch?v=Slpg4CUQ7DQ>



© Praher Plastics Austria GmbH
Zertifiziert nach / certified acc. to
EN ISO 9001:2015

DB/DEEN/23/06/454/B

*Diese Druckschrift enthält keine
Gewährleistungszusagen, sondern will lediglich
eine erste Information vermitteln. Das Programm
wird ständig erweitert, daher entsprechen die
Ausführungen und Typen dem Stand bei
Drucklegung. Technische Änderungen
vorbehalten!*

*This document contains no warranties, but simply
conveys initial information. The program is
constantly expanding and therefore the versions
and types correspond to the state on the date of
printing. Subject to technical changes!*



www.praher-plastics.com