

Butterfly Valve K4 with pneumatic actuator



General:

- Seal materials: EPDM
FPM
- Body material: PP-GF
- Flap material: PVC-C
- Dimensions: DN65 – DN100
d75 – d110
2 1/2" – 4"
- Flange standards: DIN 2501 PN 10
ANSI B 16,5 Class150
JIS 10 K
BS Table D&E
- Additional dimension: DN65/d63
DIN 2501 PN 10

Operating pressure: PVC-C PN10

Technical features:

- only sleeve gasket and flap in touch with medium
- double sealed shaft
- integrated bracket for fix point mounting
- simple and quick assembling of the actuator without any extra parts

Material of actuator:

- Casing: anodised aluminium
- Casing cover: epoxy powder coated aluminium
- Screws/nuts: stainless steel

Ambient temperature: -20°C to +80°C

Control air: filtered air according to PNEUROP/ISO class 4

Mounting position: any

Operation capacity/operation pressure:

- DA -> double acting / 5,5 to 10 bar
- SR -> single acting / 5,5 to 8 bar

Angle of rotation: 90°; travel limitation adjustable on both sides -10° to +10°

Mounting:

- Actuator – valve: ISO 5211
- Actuator – pilot valve: NAMUR (VDI/VDE3845)
- Actuator – feedback devices: NAMUR (VDI/VDE3845)

Accessories:

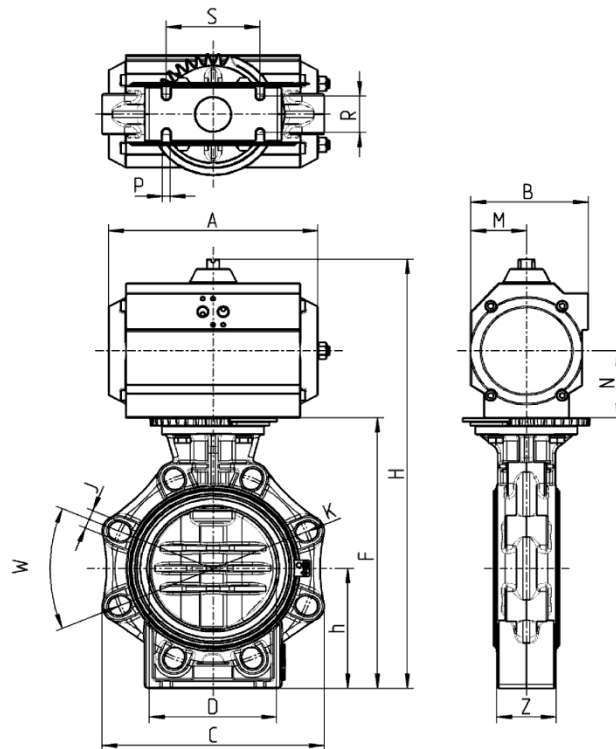
- limit switch box
- 3/2 and 5/2 ways pilot valves
- silencer

This document does not constitute a guarantee, it is for initial information purposes only. The product range is continually upgraded, the designs and types therefore only reflect the state of the art at the time of printing.
Subject to technical modifications!

Butterfly Valve K4 with pneumatic actuator



Dimensions:



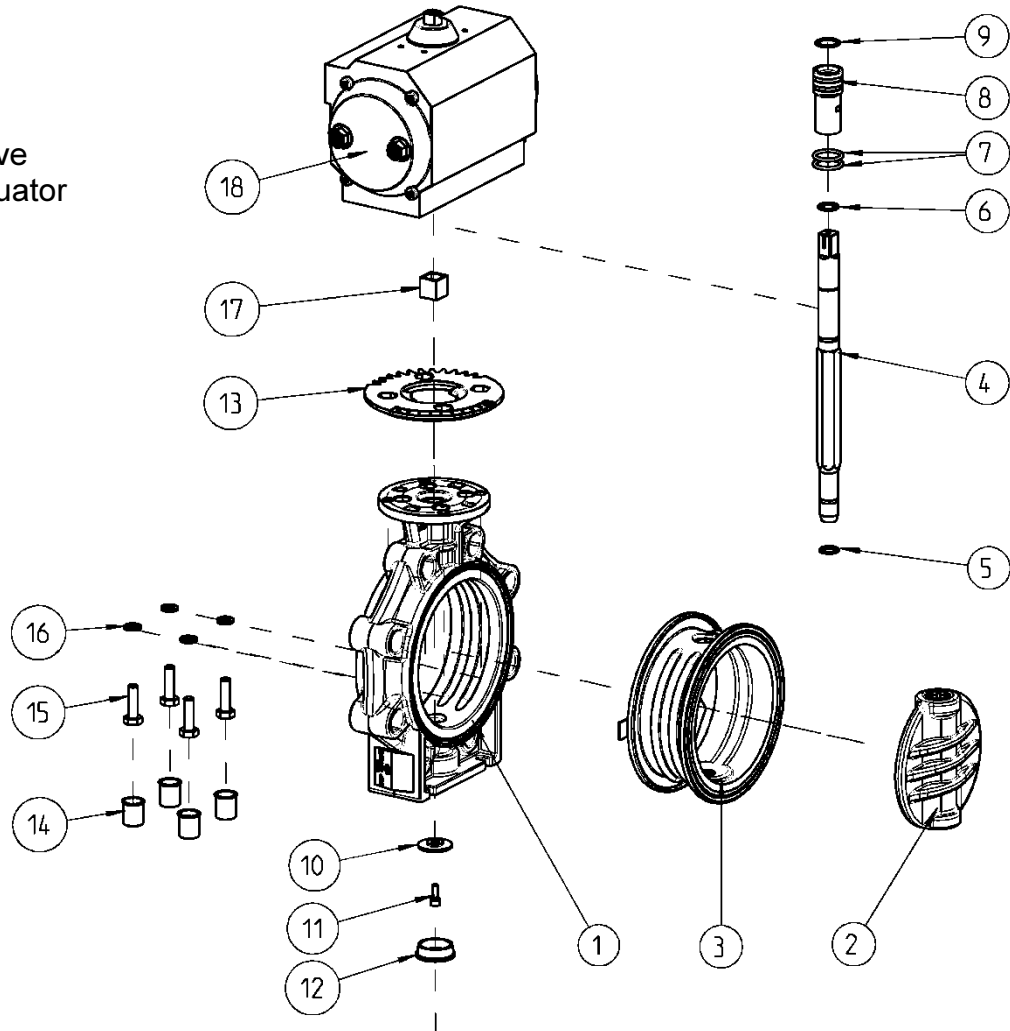
DN	65	80	100	
d	75	90	110	
G	2 1/2"	3"	4"	
W	90°	45°	45°	
J	19	19	19	
K	127 - 145	146 - 160	175 - 190,5	
D	65	80	100	
C	133	176	206	
Z	46	49	56	
S	55	70	85	
R	25	30	35	
P	7	9	9	
h	100	100	115	
F	232	239	269	
PN	10	10	10	
einfach wirkend	Antrieb	UT-25 SR	UT-30 SR	UT-35 SR
	H	353	382	412
	A	239	230	246
	B	96	113	138
	N	63	70	87,5
doppelt wirkend	Antrieb	UT-17 DA	UT-20 DA	UT-25 DA
	H	353	382	412
	A	197	177	239
	B	85	96	96
	N	48	60	63
M	36	43	43	

Dimensions in mm

Butterfly Valve K4 with pneumatic actuator

Exploded drawing:

- 01. Body
- 02. Flap
- 03. Sleeve
- 04. Shaft
- 05. Seal shaft below
- 06. Seal shaft above
- 07. Seal pilot bushing
- 08. Pilot bushing
- 09. Retaining ring
- 10. Holding disc
- 11. Screw
- 12. Cap
- 13. Cover plate
- 14. Cap
- 15. Screw
- 16. Tooth wheel
- 17. Reducing sleeve
- 18. Pneumatic actuator

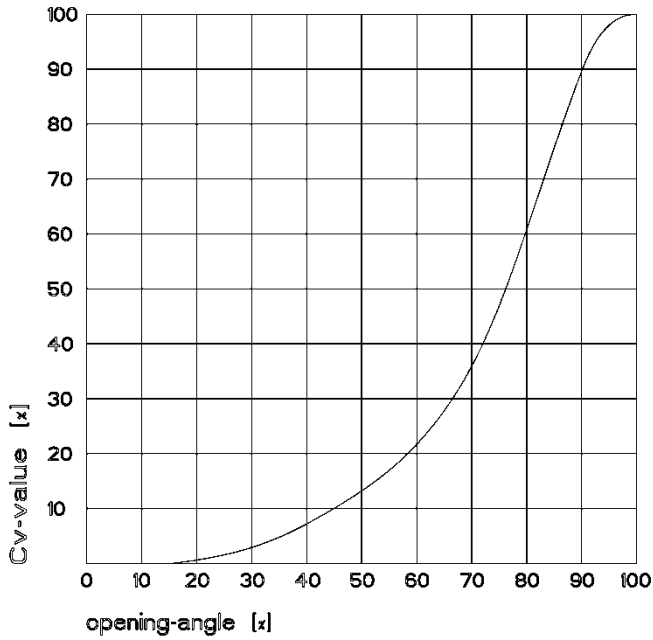


Butterfly Valve K4 with pneumatic actuator

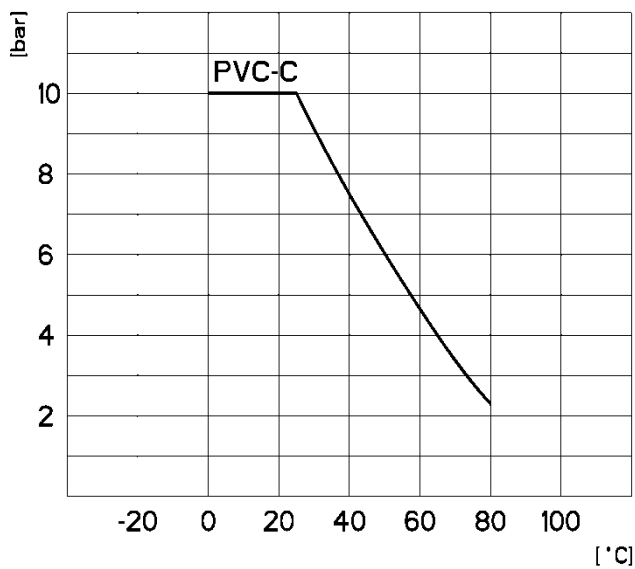


Diagrams:

Flow - characteristic

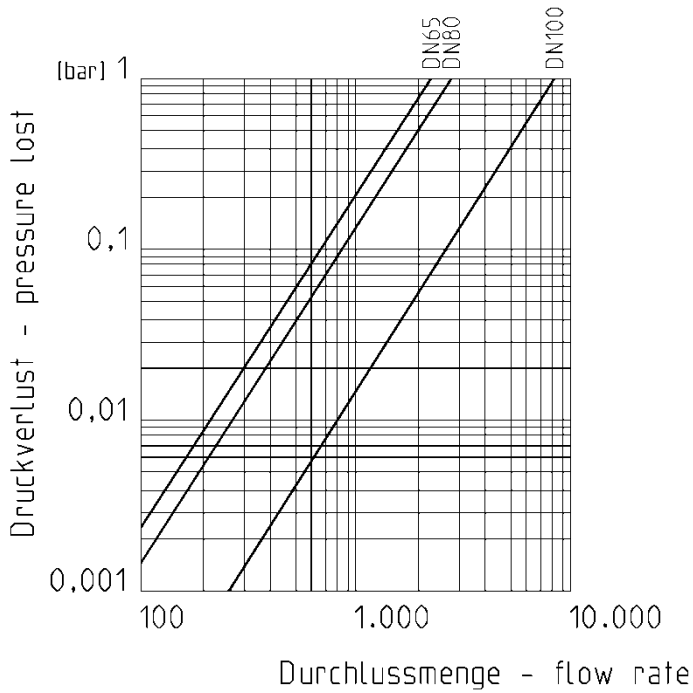


Pressure – temperature – diagram



Butterfly Valve K4 with pneumatic actuator

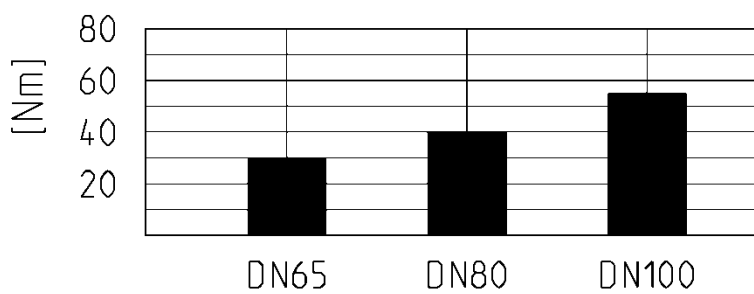
Pressure – loss - diagram



Kv value table

Pressure loss	DN65	DN80	DN100
0,001 bar	73 l/min	88 l/min	260 l/min
1 bar	2300 l/min	2800 l/min	8200 l/min

Torque



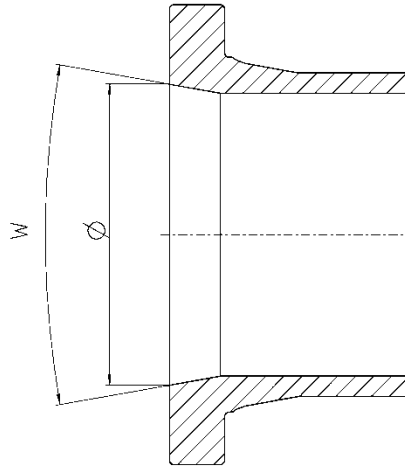
Tightening torque of screws for flange connections

DN	65	80	100
Nm	15	18	20

Butterfly Valve K4 with pneumatic actuator

Installation in piping:

For a correct and complete opening of the flap, it is necessary that the used sockets and stub flanges have at least an inner diameter according to the table.



DN	d	Ø (mm)	w (°)
DN50*	d63*	60	40
DN65	d75	60	40
DN80	d90	77	40
DN100	d110	96,5	40

* Suitable only for DIN DN50 d63 sockets and stub flanges.

Butterfly Valve K4
with pneumatic actuator



Technical Data:

CONTROL FUNCTIONS

SR SINGLE ACTING

AIR CONSUMPTION (FULL CYCLE)

Actuator	UT-25 SR	UT-30 SR	UT-35 SR
Norm dm ³	0,48	0,65	1,2

DA DOUBLE ACTING

AIR CONSUMPTION (FULL CYCLE)

Actuator	UT-17 DA	UT-20 DA	UT-25 DA
Norm dm ³	0,55	0,17	1,10

Butterfly Valve K4 with pneumatic actuator



LIMIT SWITCH BOX

General:

- Limit switch box with two mechanical limit switches
- IP65 protected
- cable gland M20 x 1,5

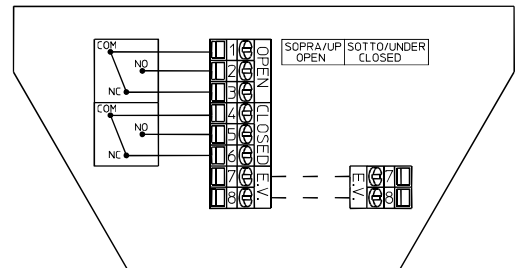
Material:

- Casing: Polycarbonate black
- Casing cover: Polycarbonate with visual position indication
- Mounting brackets + screws: stainless steel
- Seals: EPDM

Voltage: 1 – 250 V AC/DC

Current:

- 16 A (250V AC)
- 2,5 A (24V DC)



PILOT VALVE NAMUR

General:

- Solenoid valve NAMUR with combined 5/2- and 3/2-Wege function + standard coil
- easy change from 5/2- to 3/2-way-operation by adapter plates
- manual override as standard

Material:

- casing: anodised aluminium
- piston: aluminium
- sealing: NBR
- screws and spring: stainless steel

Current:

- 24 V DC (3W)
- 230 V AC (5VA)



5/2 FUNKTION

3/2 FUNKTION

