

Butterfly Valve K4 with pneumatic actuator



General:

- Sealing material: EPDM, FPM
- Body material: PP-GF
- Disc material: PVC-U, PP, PVDF
- Dimensions: DN65 – DN200
d75 – d225
2 1/2" – 8"
- Flange connections: DIN 2501 PN10
ANSI B 16,5 Class 150
JIS 10 K [for DN65-DN150 only*]
BS Table D&E
- Additional dimension: DN65/d63 PVC-U
DIN 2501 PN10

Operating pressure: PVC-U, PP, PVDF PN10

Characteristics:

- only sleeve gasket and disc in touch with medium
- double sealed shaft
- integrated bracket for fix point mounting
- simple and quick assembling of the actuator without any extra parts

Material of actuator:

- Casing: anodised aluminium
- Casing cover: expoxy powder coated aluminium
- Screws/nuts: stainless steel

Ambient temperature: -20°C to +80°C

Control air: filtered air according to PNEUROP/ISO class 4

Mounting position: any

Operation capacity/operation pressure:

- DA -> double acting / 5,5 to 10 bar
- SR -> single acting / 5,5 to 8 bar

Angle of rotation: 90°; travel limitation adjustable on both sides -10° to +10°

Mounting:

- Actuator – valve: ISO 5211
- Actuator – pilot valve: NAMUR (VDI/VDE3845)
- Actuator – feedback devices: NAMUR (VDI/VDE3845)

Accessories:

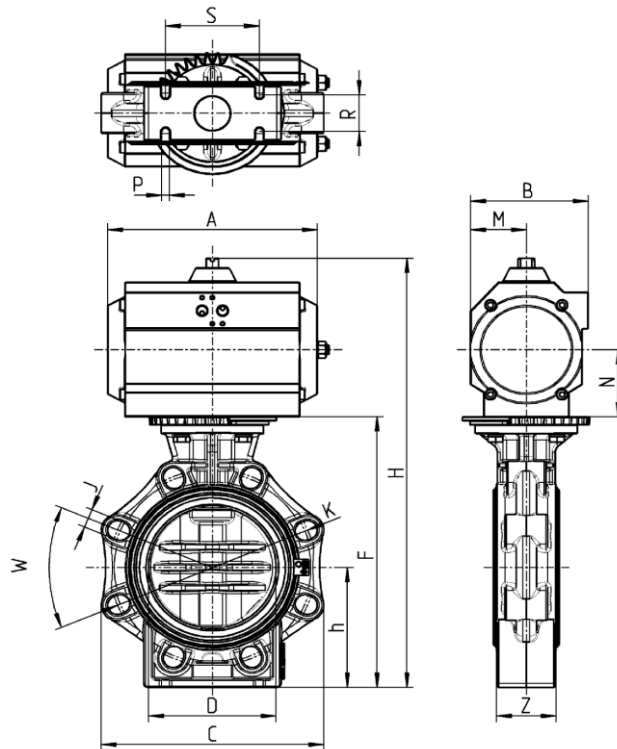
- limit switch box
- 3/2 and 5/2 ways pilot valves
- silencer

This print contains no warranty promise, but it should give you some first information. The product range is extended continuously, therefore the versions and types correspond to the actual status of printing.
Subject to technical modifications!

Butterfly Valve K4 with pneumatic actuator



Dimensions:



DN	65	80	100	125	150	200	
d	75	90	110	140	160	225	
G	2 1/2"	3"	4"	5"	6"	8"	
W	90°	45°	45°	45°	45°	45°	
J	19	19	19	23	23	23	
K	127-145	146-160	175-190,5	209,5-216	234,5-241,5	290-298,5	
D	65	80	100	125	150	200	
C	133	176	206	234,5	261	314	
Z	46	49	56	64	70	71	
S	55	70	85	100	110	145	
R	25	30	35	45	45	40	
P	7	9	9	9	9	9	
h	100	100	115	130	147,5	175	
F	232	239	269	303,5	333	395	
PN	10	10	10	10	10	10	
Single acting	Antrieb	UT-25 SR	UT-30 SR	UT-35 SR	UT-40 SR	UT-45 SR	UT-50 SR
	H	353	382	412	499,5	529	591
	A	239	230	246	290	351	361
	B	96	113	138	138	151	185
	N	63	70	87,5	87,5	92	114
Double acting	Antrieb	UT-17 DA	UT-20 DA	UT-25 DA	UT-30 DA	UT-35 DA	UT-40 DA
	H	353	382	412	465,5	529	591
	A	197	177	239	230	246	246
	B	85	96	96	113	138	138
	N	48	60	63	70	87,5	87,5
M	36	43	43	52	65,5	65,5	

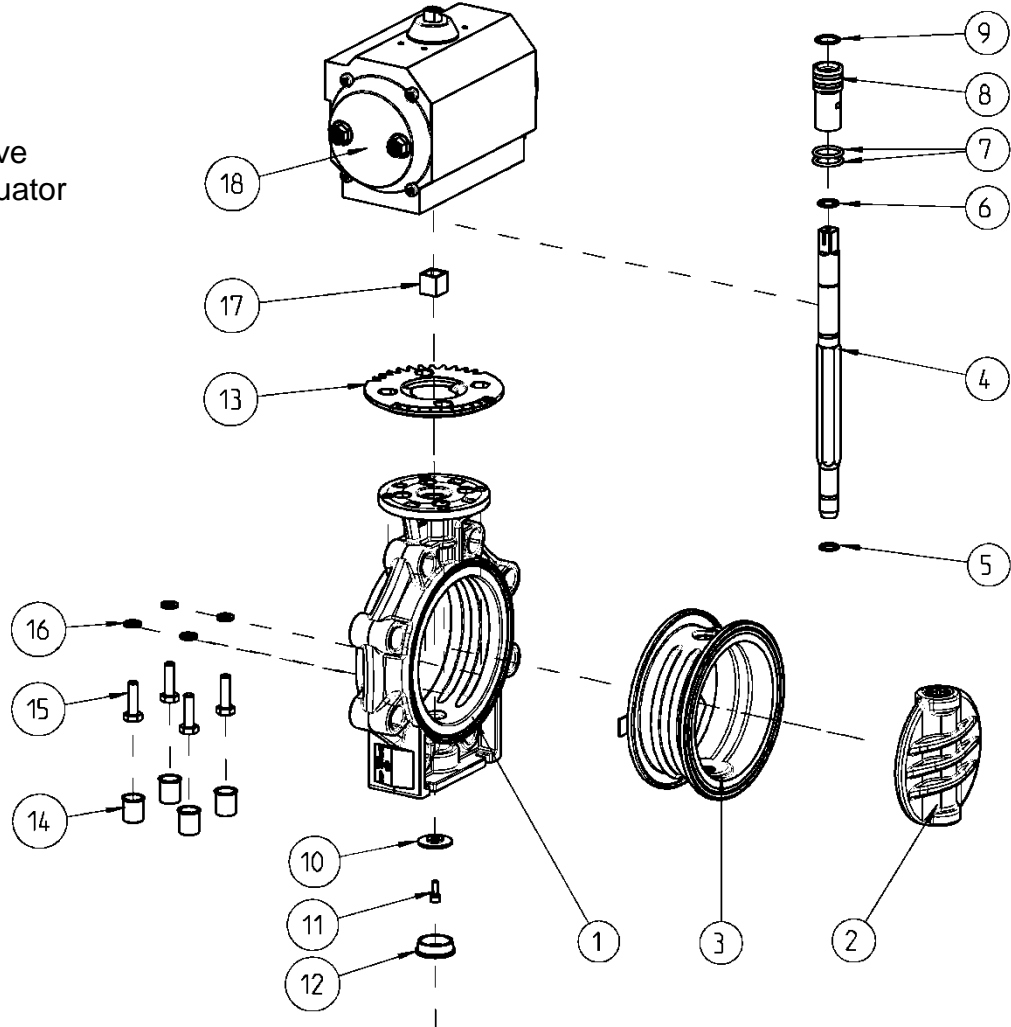
Dimensions in mm



Butterfly Valve K4 with pneumatic actuator

Exploded drawing:

- 01. Body
- 02. Disc
- 03. Sleeve
- 04. Shaft
- 05. Seal shaft below
- 06. Seal shaft above
- 07. Seal pilot bushing
- 08. Pilot bushing
- 09. Retaining ring
- 10. Holding disc
- 11. Screw
- 12. Cap
- 13. Cover plate
- 14. Cap
- 15. Screw
- 16. Tooth wheel
- 17. Reducing sleeve
- 18. Pneumatic actuator

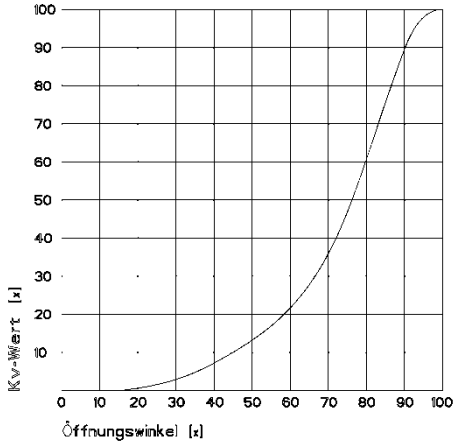


Butterfly Valve K4 with pneumatic actuator

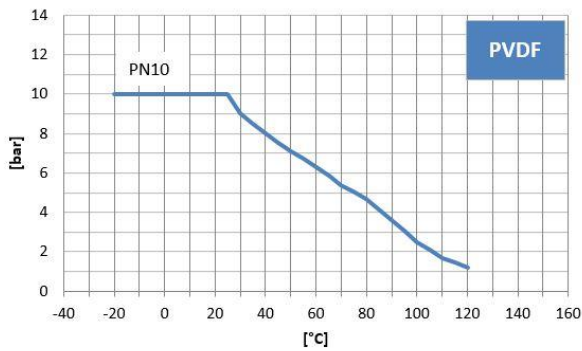
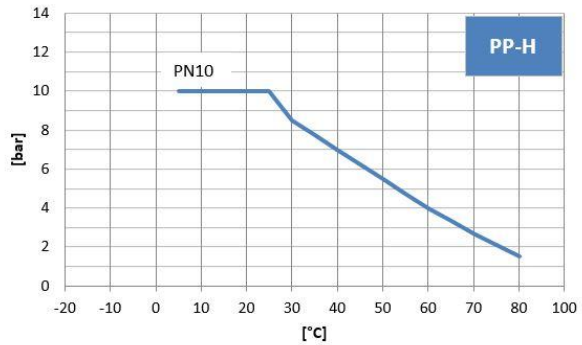
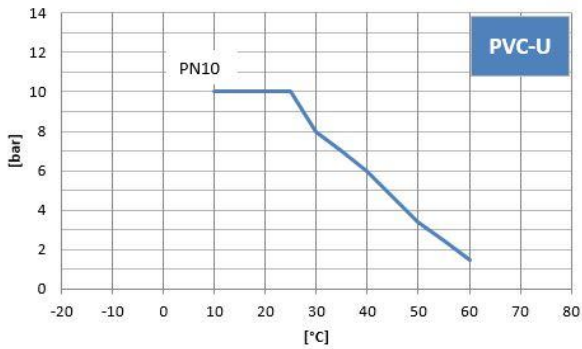


Diagrams:

Flow – Characteristic



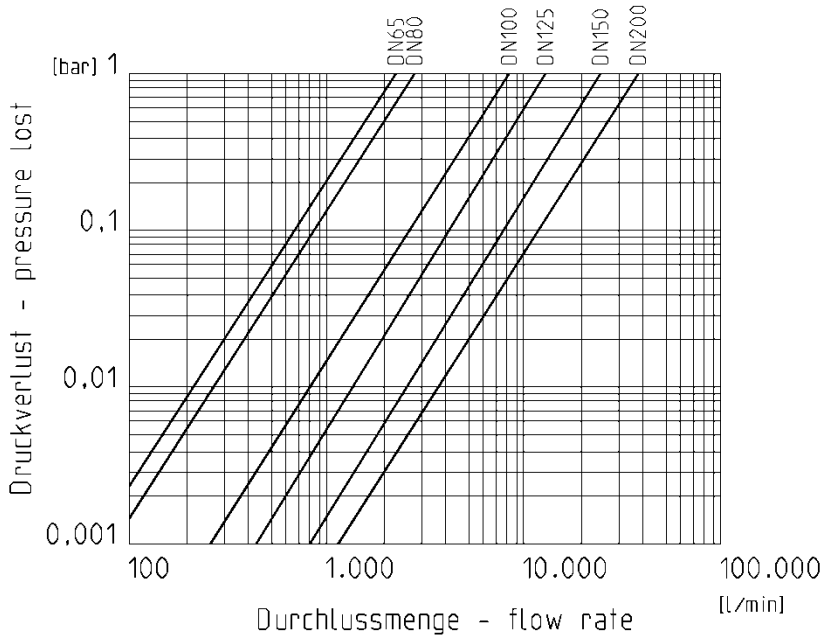
Pressure – Temperature – Diagrams



Butterfly Valve K4 with pneumatic actuator



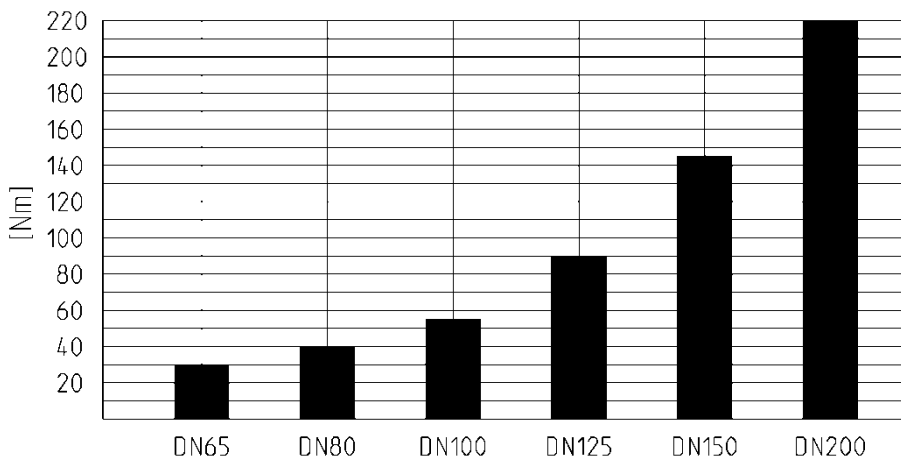
Pressure loss – Diagram



Kv value

Pressure loss	DN65	DN80	DN100	DN125	DN150	DN200
0,001 bar	73 l/min	88 l/min	260 l/min	433 l/min	805 l/min	1200 l/min
1 bar	2300 l/min	2800 l/min	8200 l/min	13700 l/min	25500 l/min	38000 l/min

Torque



Tightening torque of screws for flange connections

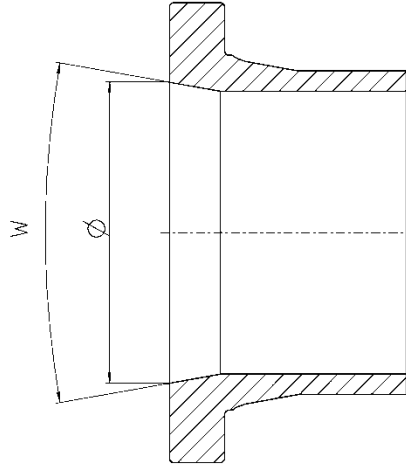
DN	65	80	100	125	150	200
Nm	15	18	20	30	40	55



Butterfly Valve K4 with pneumatic actuator

Installation in piping:

For a correct and complete opening of the flap, it is necessary that the used sockets and stub flanges have at least an inner diameter according to the table.



DN	d	Ø (mm)	w (°)
DN50*	d63*	60	40
DN65	d75	60	40
DN80	d90	77	40
DN100	d110	96,5	40
DN125	d140	121,5	40
DN150	d160	146,5	40
DN200	d225	203	40

* Suitable only for **DIN** DN50 d63 sockets and stub flanges.

Butterfly Valve K4 with pneumatic actuator



Technical Data:

CONTROL FUNCTIONS

SR SINGLE ACTING

AIR CONSUMPTION (FULL CYCLE)

Actuator	UT-25 SR	UT-30 SR	UT-35 SR	UT-40 SR	UT-45 SR	UT-50 SR
Norm dm ³	0,48	0,65	1,2	1,6	1,85	2,90

DA DOUBLE ACTING

AIR CONSUMPTION (FULL CYCLE)

Actuator	UT-17 DA	UT-20 DA	UT-25 DA	UT-30 DA	UT-35 DA	UT-40 DA
Norm dm ³	0,55	0,17	1,10	1,40	2,45	3,05

LIMIT SWITCH BOX

General:

- Limit switch box with two mechanical limit switches
- IP65 protected
- cable gland M20 x 1,5

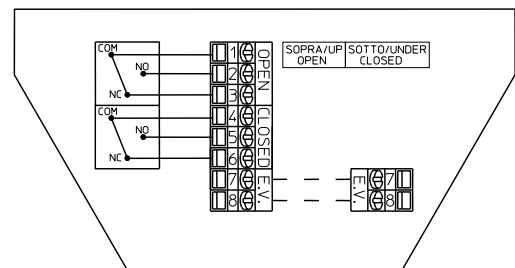
Material:

- Casing: Polycarbonate black
- Casing cover: Polycarbonate with visual position indication
- Mounting brackets + screws: stainless steel
- Seals: EPDM

Voltage: 1 – 250 V AC/DC

Current:

- 16 A (250V AC)
- 2,5 A (24V DC)



Butterfly Valve K4 with pneumatic actuator



PILOT VALVE NAMUR

General:

- Solenoid valve NAMUR with combined 5/2- and 3/2-Wege function + standard coil
- easy change from 5/2- to 3/2-way-operation by adapter plates
- manual override as standard

Material:

- casing: anodised aluminium
- piston: aluminium
- sealing: NBR
- screws and spring: stainless steel

Current:

- 24 V DC (3W)
- 230 V AC (5VA)

