

Butterfly Valve K4

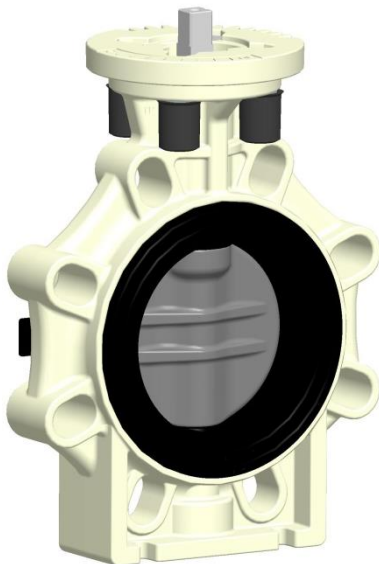
Electric Actuators ER35, ER60, ER100, VS150, VS300



Actuator ER for butterfly valve DN65-DN125



Actuator VS for butterfly valves DN150-DN200



General:

- Sealing materials: EPDM, FPM
- Body material: PP-GF
- Disc materials: PVC-U, PP, PVDF
- Dimensions: DN65 – DN200
d63/d75 – d225
2 1/2" - 8"
- Flange connections: DIN 2501
ANSI B 16,5
JIS 10 K [for DN65-DN150 only*]
BS Table D&E
- Additional dimensions:
DN65/d63 PVC-U
DIN 2501 PN10

* for mounting between JIS-Flanges DN200 please contact us

Operation pressure:

PVC-U, PP, PVDF PN 10

Actuator material:

- ER - plastic body
- VS - plastic aluminium body*

Characteristics:

- only sleeve gasket and disc in touch with medium
- double sealed shaft
- integrated bracket for fix point mounting
- direct mounting of the actuator without additional adaptor or screws
- mechanical limit stops
- emergency manual override
- protection class ER IP65 resp. VS IP67
- position indication
- torque and force limiters

This print contains no warranty promise, but it should give you some first information. The product range is extended continuously, therefore the versions and types correspond to the actual status of printing. Subject to technical modifications!

Butterfly Valve K4

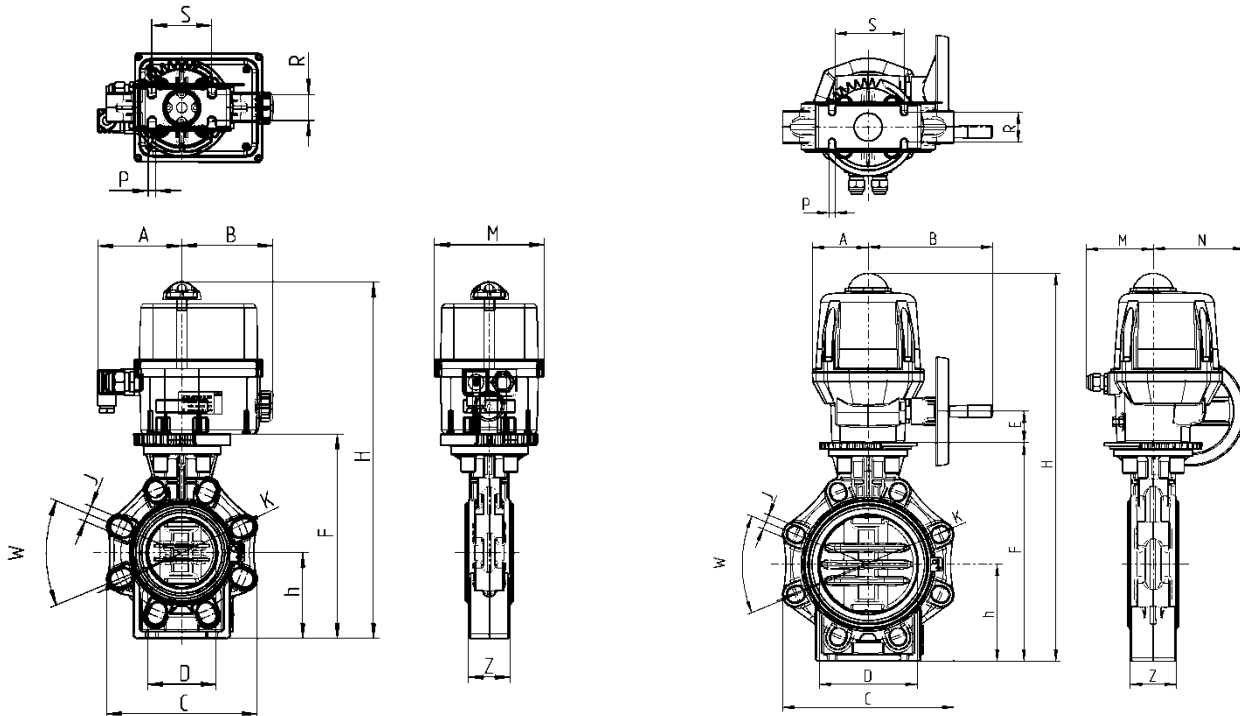
Electric Actuators ER35, ER60, ER100, VS150, VS300



Dimensions:

Actuator ER35 / ER60 / ER100

Actuator VS150 / VS300



	ER35	ER60	ER60	ER100	VS150	VS300
DN	65	80	100	125	150	200
d	75	90	110	140	160	225
G	2 1/2"	3"	4"	5"	6"	8"
D	65	80	100	125	150	200
C	133	176	206	234,5	261	314
W	90°	45°	45°	45°	45°	45°
J	19	19	19	23	23	23
K	127-145	146-160	175-190,5	209,5-216	234,5-241,3	290-298,5
H	409	416	446	480,5	591	653
h	100	100	115	130	147,5	175
A	98	98	98	98	85	85
B	107	107	107	107	190	190
M	128	128	128	128	94	94
N	-	-	-	-	140	140
Z	46	49	56	67	70	71
S	55	70	85	100	110	145
R	25	30	35	45	45	40
P	7	9	9	9	9	9
F	232	239	269	303,5	333	395
E	-	-	-	-	48	48

Dimensionen in mm



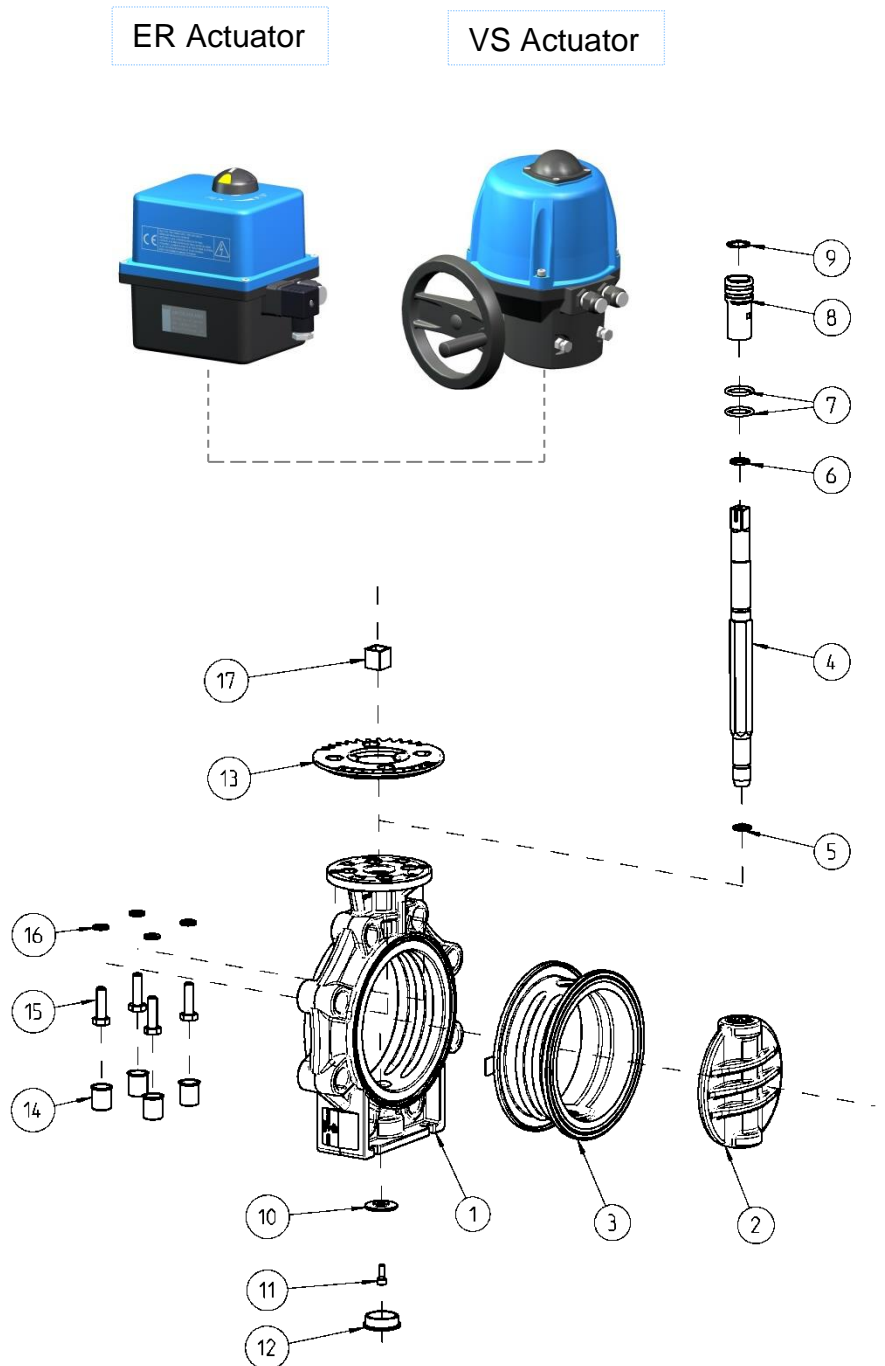
Butterfly Valve K4

Electric Actuators ER35, ER60, ER100, VS150, VS300



Exploded drawing:

- 1 Body
- 2 Disc
- 3 Sleeve
- 4 Shaft
- 5 Seal shaft below
- 6 Seal shaft above
- 7 Seal pilot bushing
- 8 Pilot bushing
- 9 Retaining ring
- 10 Holding disc
- 11 Screw
- 12 Cap
- 13 Cover plate
- 14 Cap
- 15 Screws
- 16 Tooth wheel
- 17 Reducing sleeve



© Praher Plastics Austria GmbH DB/DER/18/08/201/F Subject to technical modifications!



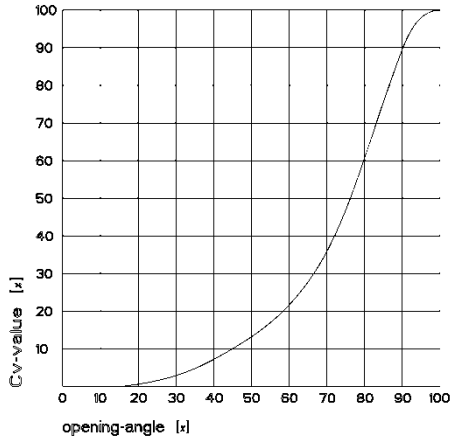
Butterfly Valve K4

Electric Actuators ER35, ER60, ER100, VS150, VS300

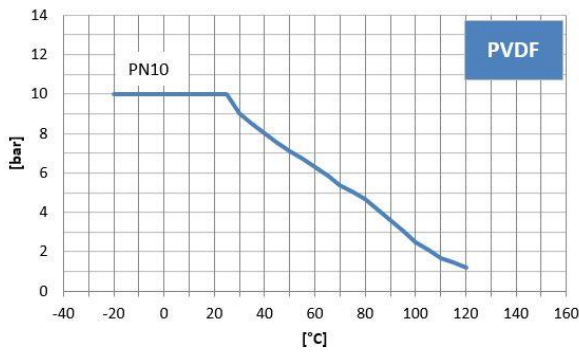
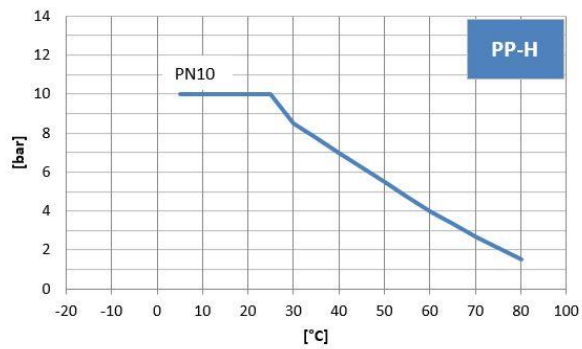
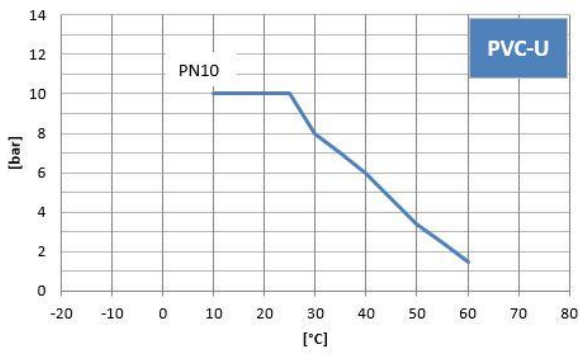


Diagrams:

Flow - Characteristic



Pressure – Temperature – Diagrams

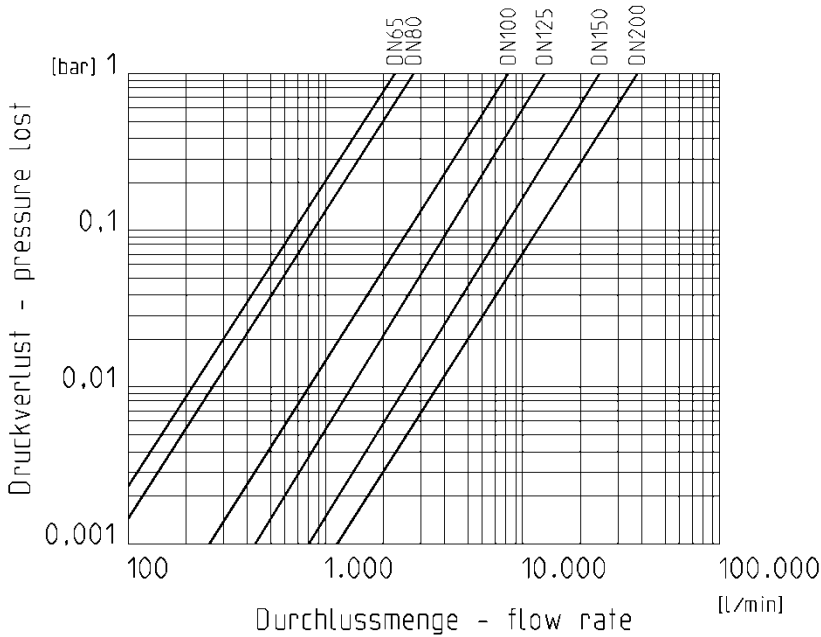


Butterfly Valve K4

Electric Actuators ER35, ER60, ER100, VS150, VS300



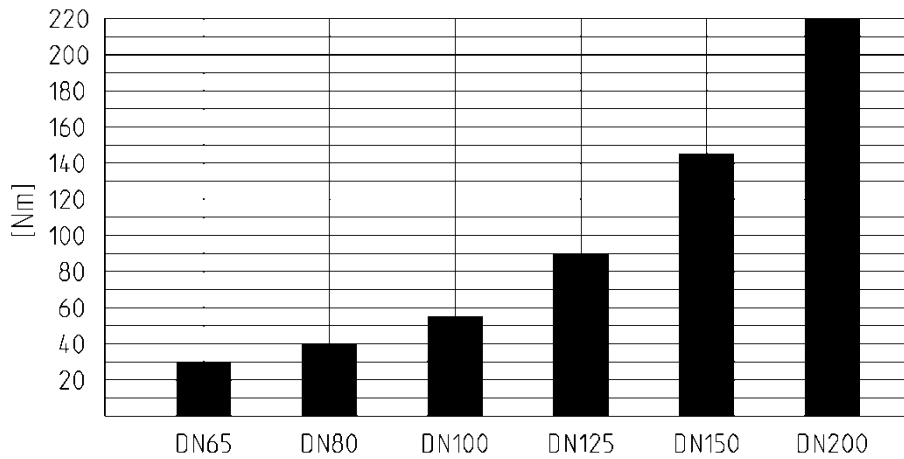
Pressure loss – Diagrams



Kv Value

Pressure loss	DN65	DN80	DN100	DN125	DN150	DN200
0,001 bar	73 l/min	88 l/min	260 l/min	433 l/min	805 l/min	1200 l/min
1 bar	2300 l/min	2800 l/min	8200 l/min	13700 l/min	25500 l/min	38000 l/min

Torque



Tightening torque of screws for flange connections

DN	65	80	100	125	150	200
Nm	15	18	20	30	40	55



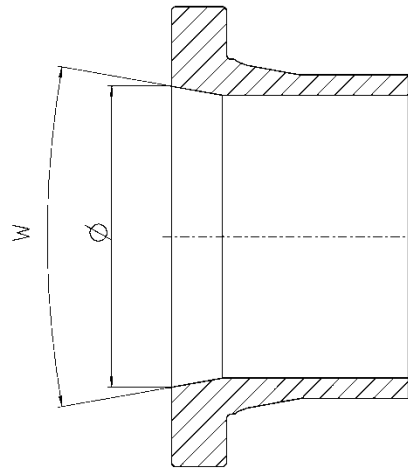
Butterfly Valve K4

Electric Actuators ER35, ER60, ER100, VS150, VS300



Installation in piping:

For a correct and complete opening of the flap, it is necessary that the used sockets and stub flanges have at least an inner diameter according to the table.



DN	d	Ø (mm)	w (°)
DN50*	d63*	60	40
DN65	d75	60	40
DN80	d90	77	40
DN100	d110	96,5	40
DN125	d140	121,5	40
DN150	d160	146,5	40
DN200	d225	203	40

* Suitable only for **DIN** DN50 d63 sockets and stub flanges.



Butterfly Valve K4
 Electric Actuators ER35, ER60, ER100, VS150, VS300



Technical Data Actuator:

Electric Actuator ER

2 preset limit switches
 2 position feedbacks
 Mechanical stop at 90°
 180° or 270° without mechanical stop
 Duty cycle 30%
 Protection class IP65
 Ambient temperature -10°C +50°C
 ISO connection F05-F07
 Octagonal screw 22 mm
 Weight 2,1 kg

Electric Actuator VS

integrated anti-condensation heater
 2 preset limit switches
 2 position feedbacks
 Mechanical stop at 90°
 180° or 270° without mechanical stop
 Duty cycle 50%
 Protection class IP67
 Ambient temperature -20°C +70°C
 ISO connection F07-F10
 Octagonal screw 22 mm
 Weight 5,6 kg

Type	ER35	ER60	VS150	VS300
Torque	35Nm	60Nm	150Nm	300Nm
Tensions	24V AC/DC, 90-240V AC, 90-350V DC		24V AC/DC, 100-240V AC	
Operating time	10s	15s	30s	50s
Power	15W	45W	45W	85W

