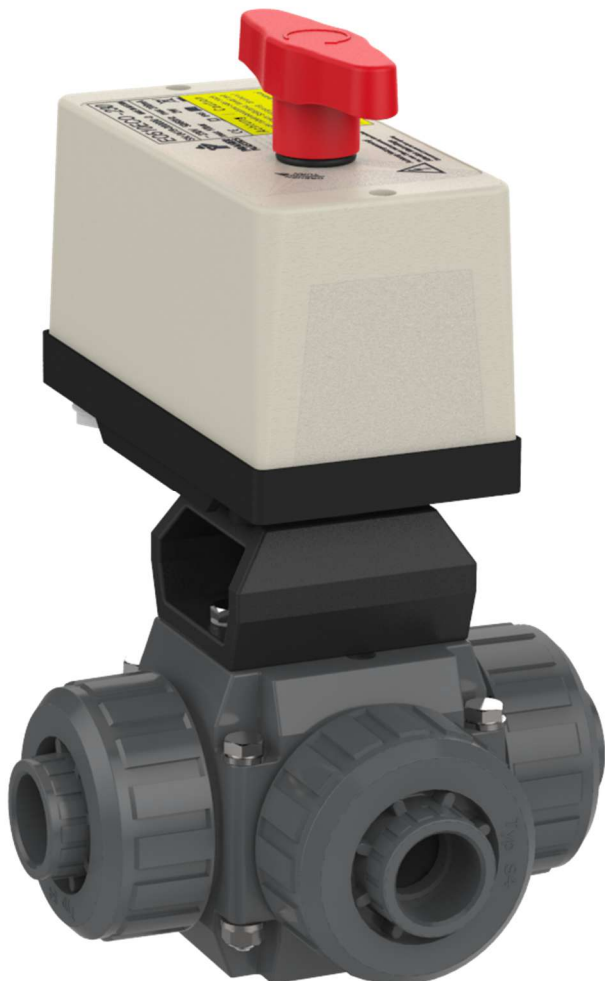


3 way ball valve S4

Electric actuator EO510 IND



General:

- Material: PVC-U / PP / PVDF
- Sealing material: EPDM / FPM
- Ball seating joint: PTFE
- Ball T- or L-bore
- Dimensions

DN10	(DN15 / d16 / d3/8")
DN15	d20 / d1/2"
DN20	(DN25 / d25 / d3/4")
DN25	d32 / d1"
DN32	(DN40 / d40 / d1 1/4")
DN40	d50 / d1 1/2"
- Voltages:

24V AC
12 – 24V DC

Connector types

- Solvent socket DIN
PVC
- Solvent spigot DIN
PVC
- Fusion socket DIN
PP / PVDF
- Fusion spigot DIN
PP / PVDF

Operating pressure:

DN10 d12 3/8" – DN25 d10 1" 10 bar
 DN32 d40 1 1/4" – DN40 d50 1 1/2" 3 bar

Technical Features:

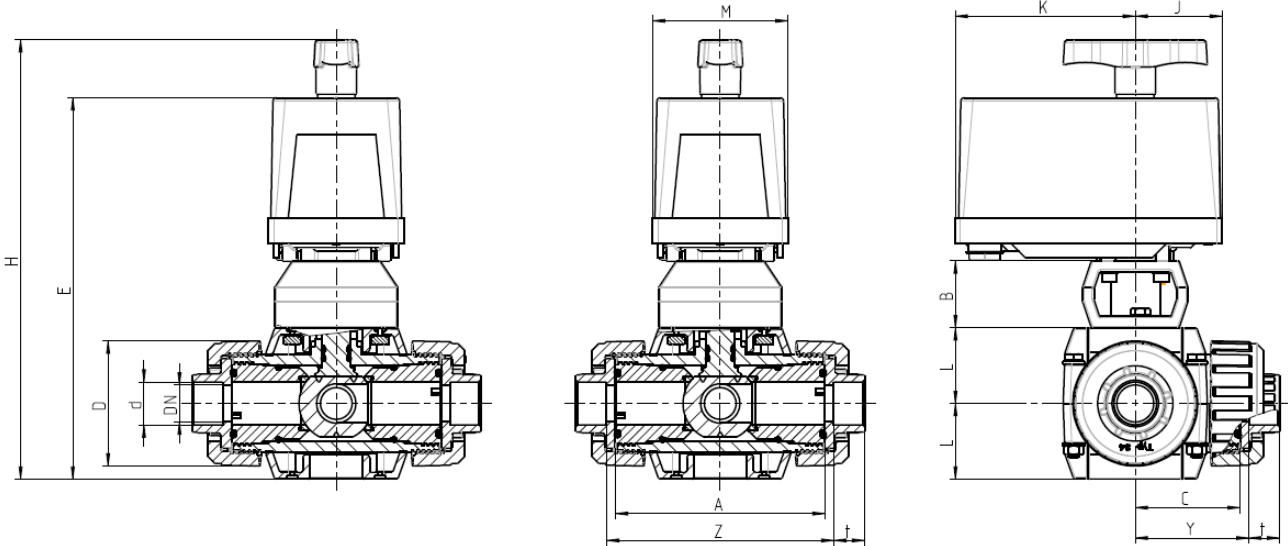
- Manual override with visual position indicator
- 4 possible travel stops
- Position feedback possible
- Protection class IP65

This document does not constitute a guarantee, it is for initial information purpose only. The product range is continually upgraded, the designs and types therefore only reflect the state of the art at the time of printing. Subject to technical modifications!

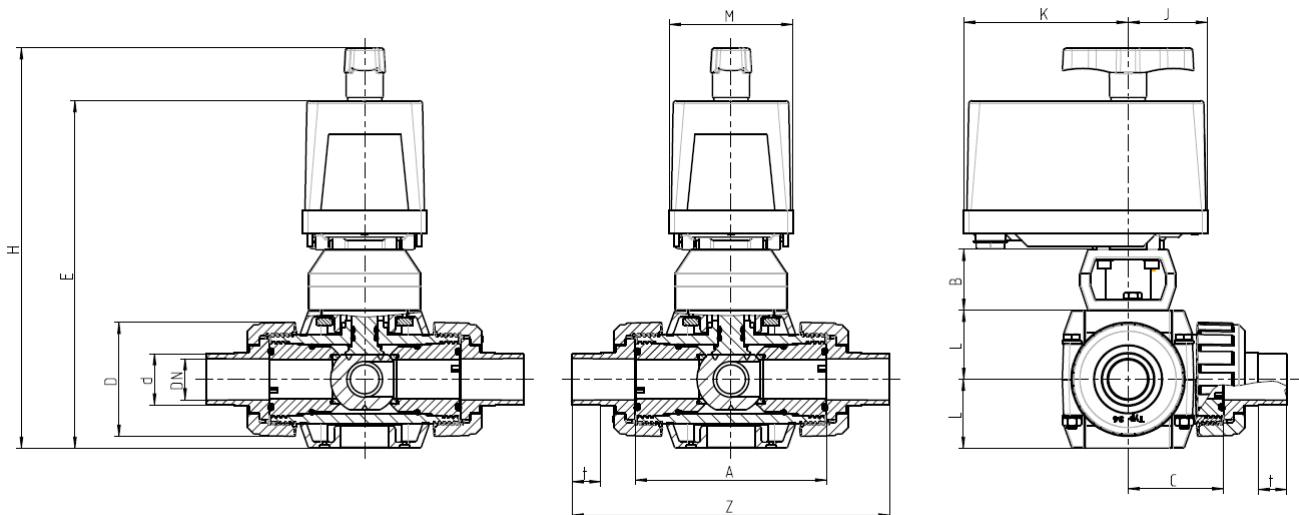
3 way ball valve S4 Electric actuator EO510 IND

Dimensions:

BV-PVC-U solvent socket:



BV-PVC-U solvent spigot:



3 way ball valve S4

Electric actuator EO510 IND

PVC-U

Connector types

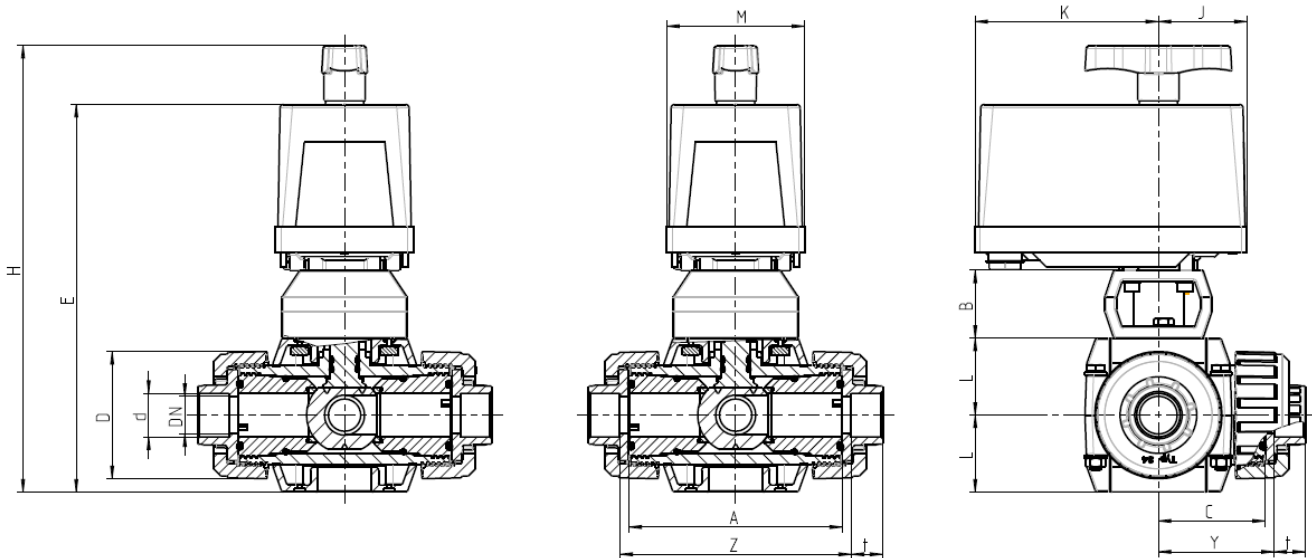
PVC solvent socket / solvent spigot

						<i>without console</i>		
		10	15	20	25	32	40	
		DN	10	15	20	25	32	40
		d	16	20	25	32	40	50
ball valve PVC-U	A	100	100	120	120	162	162	
	C	50	50	60	60	81	81	
	D	53	53	70	70	101	101	
	t_{SSO}¹ / ssp²	16,5	16,5	20	22,5	27,5	31,5	
	Y	53	53	63	63	84,5	85,5	
	Z_{SSO}¹	106	106	126	126	169	171	
	Z_{SSP}²	153	163	-	200	-	261	
		bar	10	10	10	10	3	3
Bracket / actuator	E	196,5	196,5	216,5	216,5	205	205	
	H	229,5	229,5	249,5	249,5	238	238	
	M	77	77	77	77	77	77	
	J	49,5	49,5	49,5	49,5	49,5	49,5	
	K	102,5	102,5	102,5	102,5	102,5	102,5	
	L	33	33	43	43	56	56	
	B	38	38	38	38	-	-	

dimensions in mm

¹ SSO = solvent socket - = currently not realised
² SSP = solvent spigot

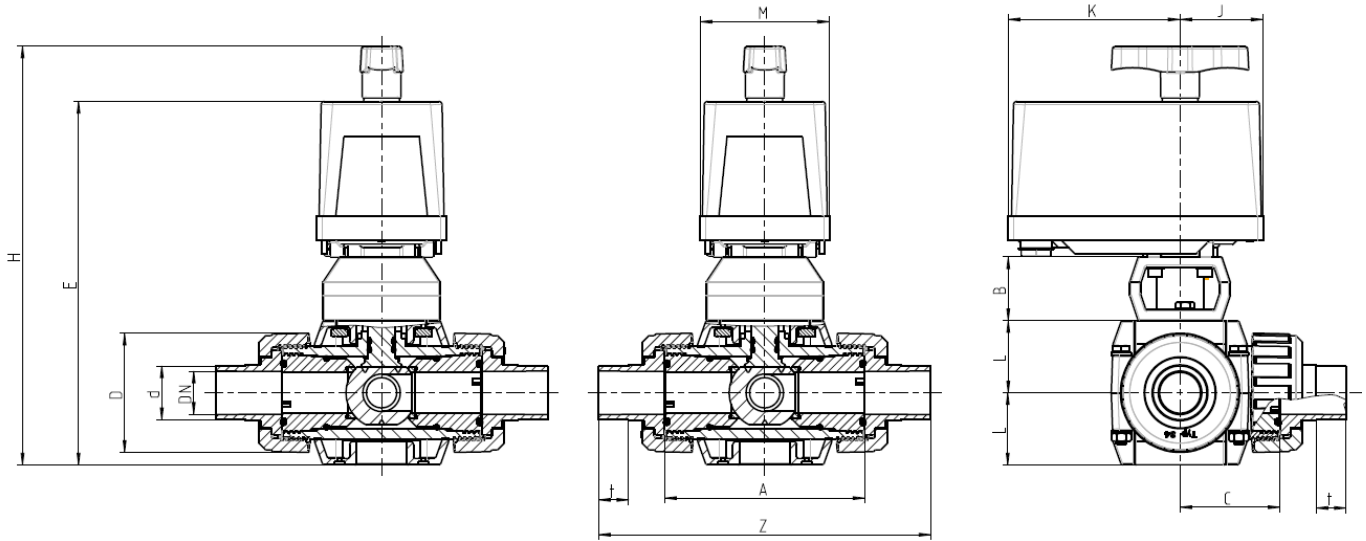
BV-PP/PVDF fusion socket:



3 way ball valve S4

Electric actuator EO510 IND

BV-PP/PVDF fusion spigot:



PP / PVDF

Connector types

PP / PVDF fusion socket / fusion spigot

		DN	10	15	20	25
		d	16	20	25	32
ball valve PP / PVDF	A		98	98	118	118
	C		49	49	59	59
	D		53	53	70	70
	t _{F^{SO}1}		14,5	16	17,5	19,5
	t _{F^{SP}2}		13	14	16,5	18,5
	Y _{F^{SO}1}		54	52	64	65
	Z _{F^{SO}1}		107	104	128	129
	Z _{F^{SP}2}		150	160	190	197
		bar	10	10	10	10
Bracket / actuator	E		196,5	196,5	216,5	216,5
	H		229,5	229,5	249,5	249,5
	M		77	77	77	77
	J		49,5	49,5	49,5	49,5
	K		102,5	102,5	102,5	102,5
	L		33	33	43	43
	B		38	38	38	38

dimensions in mm

¹ FSO = fusion socket

² FSP = fusion spigot

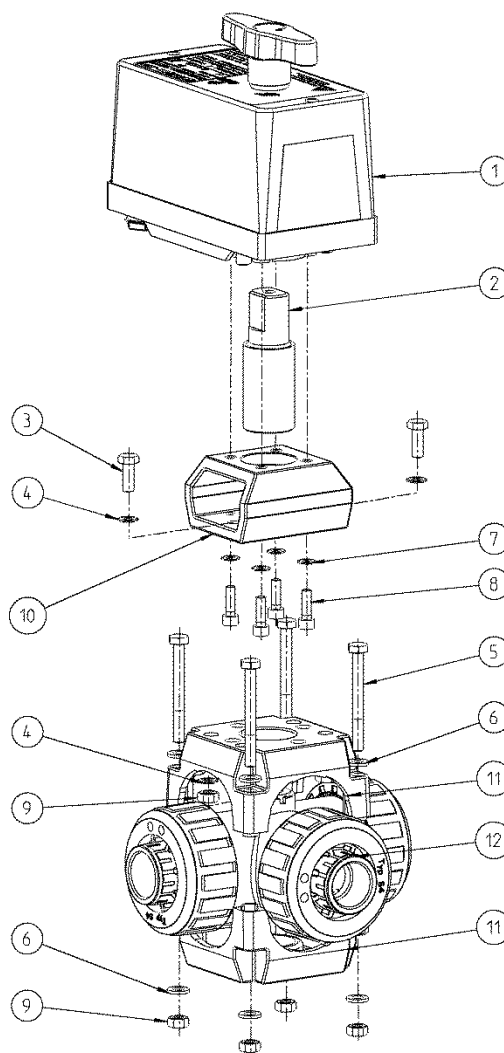
3 way ball valve S4

Electric actuator EO510 IND



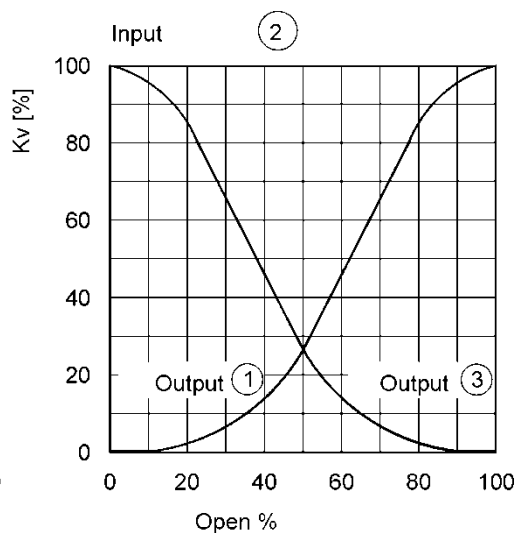
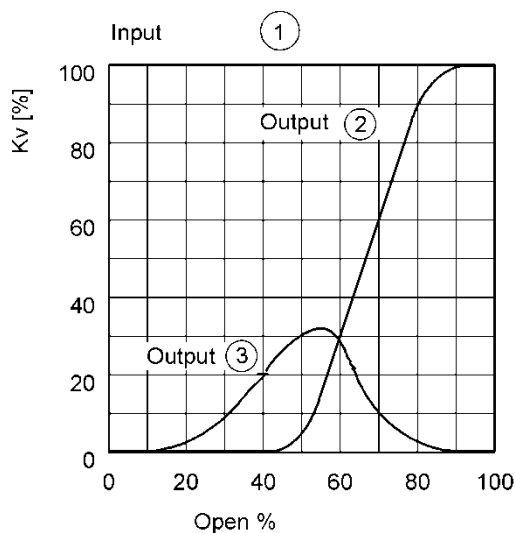
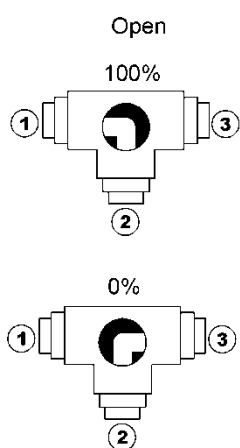
Exploded drawing:

- 1. Actuator
- 2. Clutch
- 3. Screws
- 4. Tooth wheel
- 5. Screws
- 6. Washer
- 7. Tooth wheel
- 8. Screw
- 9. Nut
- 10. Console
- 11. Bracket
- 12. 3 way ball valve S4



Diagrams:

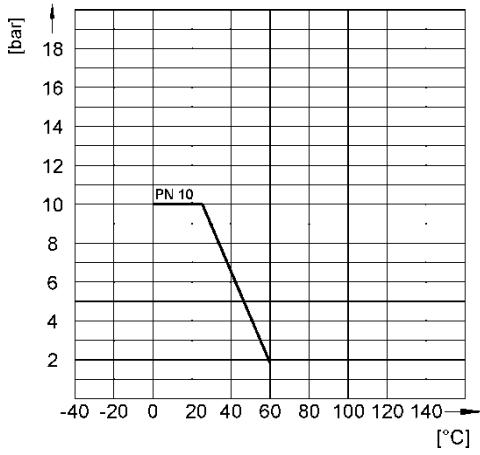
Flow-Characteristic



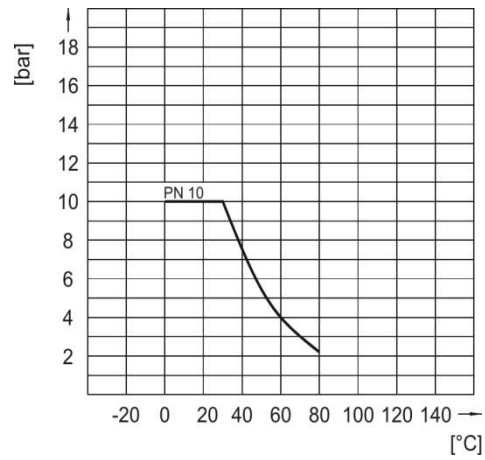
3 way ball valve S4
Electric actuator EO510 IND



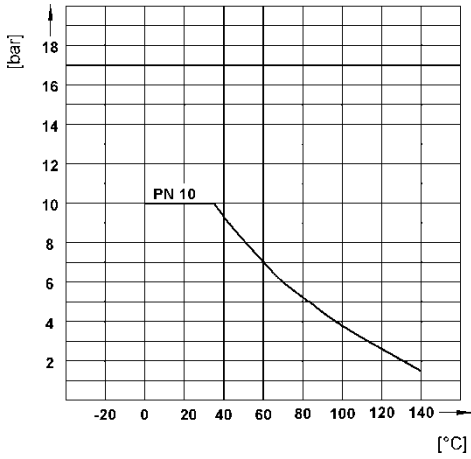
Pressure-Temperature-Diagram – PVC-U



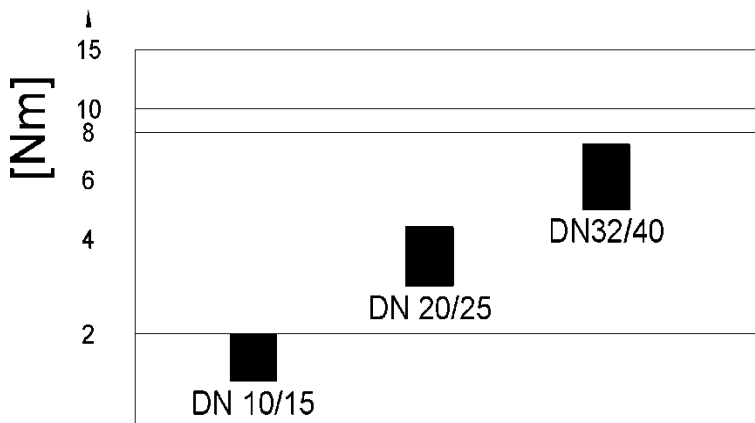
Pressure-Temperature-Diagram – PP



Pressure-Temperature-Diagram – PVDF



Torque



3 way ball valve S4
Electric actuator EO510 IND

Technical data EO510 IND:

	EO510 IND-24
Voltages	24V AC/DC
Frequency range	50 / 60 Hz
Power consumption	8 Watt max.
Protection	IP65
Operating time	12 sec 90°
Rotation angle	360° set to 90° 2 intermediate positions possible
Duty duration	60% / max. 20 min
Electrical connection	cable gland
Nominal torque	7 Nm
Peak torque	9 Nm
Temperature	0°C bis + 50°C
Body material	ABS
Position indicator	optically (manual override handle)
Manual override	integrated

Electrical Connection:

