

Handle elongation

for 2W / 3W ball valve PVC-U / PVC-C / PP / PVDF



General:

- Material: PVC-U
- Dimensions: DN10 – DN80
d16 – d90
3/8" – 3"
- Standard pipe-length: 200 mm
- up to max. 1 m pipe-length possible

Range of application:

- 2W KH PVC-U / PVC-C / PP / PVDF
- 3W KH PVC-U / PP / PVDF

Technical features:

- simple assembling
cement the handle- and shaft-adaptor with a metric pipe d25/PN16 (max. length 1m)
- markings on the handle- and shaft-adaptor assist to align adaptors to ball valve
- subsequent mounting in already existing installation is possible
- arrows on the handle-adaptor show the flow position of ball valve when you remount the handle
- for stabilisation the handle-adaptor can be fixed by a pipe clip
- can be used for all kind of 2 way and 3 way ball valve

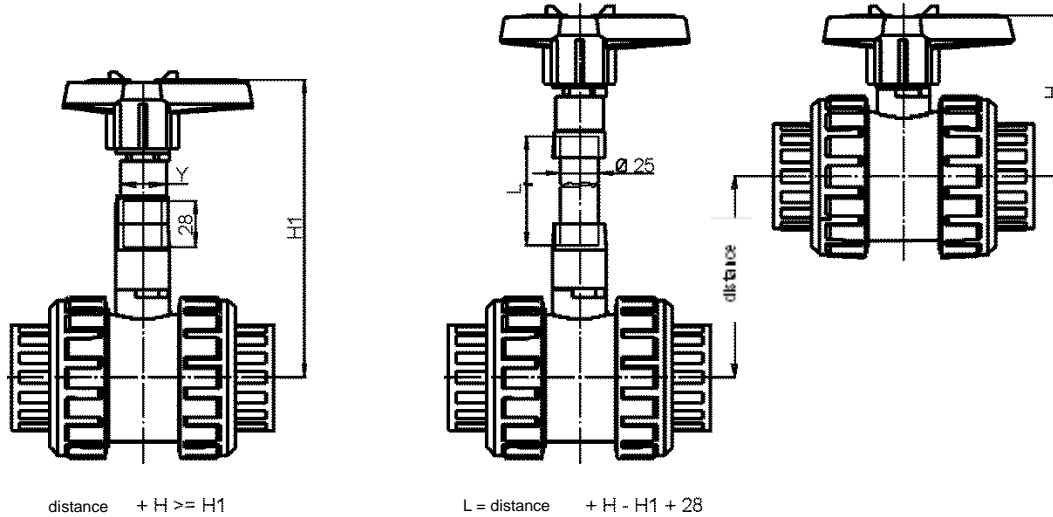
This document does not constitute a guarantee, it is for initial information purposes only. The product range is continually upgraded, the designs and types therefore only reflect the state of the art at the time of printing. Subject to technical modifications!

Handle elongation

for 2W / 3W ball valve PVC-U / PVC-C / PP / PVDF



Dimensions:



Dimensions for ball valve S4

DN	10	15	20	25	32	40	50	65	80
d	16	20	25	32	40	50	63	75	90
G	3/8"	1/2"	3/4"	1"	1 1/4"	1 1/2"	2"	2 1/2"	3"
H	72	72 ¹⁾	78,5	81,5 ¹⁾	100	107,5 ¹⁾	116,5 ¹⁾	144	163
H1	146,5	146,5 ¹⁾	157,5	160,5 ¹⁾	184	204 ¹⁾	213 ¹⁾	245	261
Y	20	20	20	20	20	20	30	30	30

¹⁾ Dimensions for 3 way ball valve
Attention: in case of handle-alongation exact positioning of ball is not given as with 3 way ball valve hand operated

Dimensions for ball valve S6 / M1

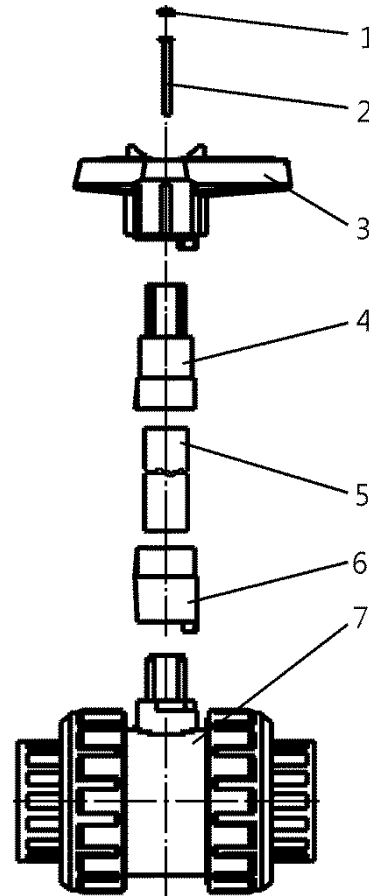
DN	10	15	20	25	32	40	50
d	16	20	25	32	40	50	63
G	3/8"	1/2"	3/4"	1"	1 1/4"	1 1/2"	2"
H	70,5	70,5	77	79,5	98	105,5	114
H1	145	145	156	158,5	182	202	210,5
Y	20	20	20	20	20	20	30

Handle elongation

for 2W / 3W ball valve PVC-U / PVC-C / PP / PVDF

Exploded drawing:

1. cap for screw
2. screw
3. handle
4. handle-adapter
5. pipe
6. shaft-adaptor
7. ball valve



Mounting instruction:

1. check required length of pipe between handle- and shaft-adaptor
2. the pipe d25/PN16 have to be cutted off tot he required length
3. in assistance with the marks on the handle- and shaft-adaotir you have to cement both adaptors and pipe in alignment to ball valve
4. the solvent cement must dry
5. this prolongation (handle- and shaft-adaptor with pipe) have to be

Remounting instruction:

1. remove the handle from the prolongation
2. remove the prolongation from the ball valve
3. mount the handle on the ball valve