

## Aerating Valve S4



Symbol photo

### General:

- Material: PVC-U / PP
- Sealing material: EPDM / FPM
- Dimensions: DN10 – DN80  
d16 – d110  
3/8" – 4"

### Connector types

#### PVC

- Solvent socket DIN / ASTM / JIS
- Solvent spigot DIN
- Threaded socket BSP
- PE fusion spigot DIN

#### PP

- Fusion socket DIN
- Fusion spigot DIN
- Threaded socket BSP

Further connector types on request

### Operating pressure:

|                               |         |
|-------------------------------|---------|
| DN10 d16 d3/8" – DN50 d63 d2" | PN16/10 |
| DN65 d75 d2 1/2"              | PN16/8  |
| DN80 d90 d3"                  | PN10/6  |
| DN80 d110 d4"                 | PN6     |

### Technical features:

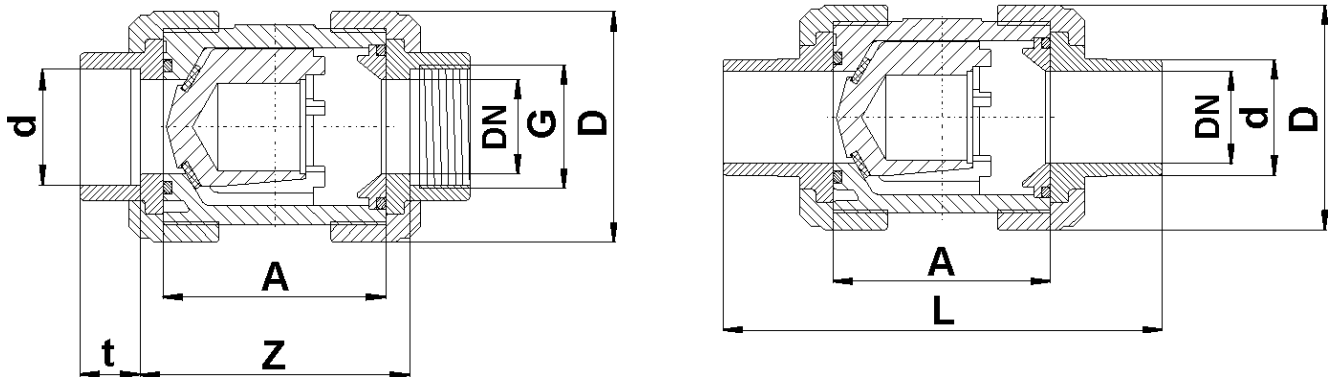
- Maintenance free operation over a long working life
- Service friendliness
- Radial installation or removal
- Quick and exact closing and opening

This document does not constitute a guarantee, it is for initial information purposes only. The product range is continually upgraded, the designs and types therefore only reflect the state of the art at the time of printing.  
Subject to technical modifications!

# Aerating Valve S4



## Dimensions:



### PVC

#### Connector types

PVC solvent socket / solvent spigot / threaded socket

PE fusion spigot

| DN                           | 10   | 15   | 20   | 25   | 32     | 40     | 50    | 65     | 80   | 80   |
|------------------------------|------|------|------|------|--------|--------|-------|--------|------|------|
| d                            | 16   | 20   | 25   | 32   | 40     | 50     | 63    | 75     | 90   | 110  |
| <b>G</b> <sup>1</sup> TSO    | 3/8" | 1/2" | 3/4" | 1"   | 1 1/4" | 1 1/2" | 2"    | 2 1/2" | 3"   | -    |
| <b>A</b>                     | 62   | 62   | 70   | 74   | 84     | 95     | 109   | 137    | 163  | 163  |
| <b>D</b>                     | 53   | 53   | 63   | 70   | 85     | 101    | 124,5 | 155    | 188  | 188  |
| <b>t</b> <sup>2</sup> SSO    | 16,5 | 16,5 | 19,5 | 22,5 | 26,5   | 31,5   | 38,5  | 45     | 55,5 | 64   |
| <b>t</b> <sup>3</sup> SSP    | 17   | 17   | 20   | 22,5 | 26,5   | 31,5   | 38,5  | 45     | 52   | 64,5 |
| <b>L</b> <sup>3</sup> SSP    | 115  | 125  | 145  | 154  | 174    | 194    | 223   | 287    | 300  | 341  |
| <b>L</b> <sup>3</sup> FSP PE | 112  | 123  | 143  | 151  | 142    | 180    | 197   | 253    | 393  | 323  |
| <b>Z</b> <sup>1</sup> TSO    | 67   | 67   | 77   | 81   | 90     | 104    | 120   | 150    | 185  | -    |
| <b>Z</b> <sup>2</sup> SSO    | 68   | 67   | 76   | 80   | 91     | 103    | 120   | 148    | 180  | 173  |
| <b>PN</b>                    | 16   | 16   | 16   | 16   | 16     | 16     | 16    | 16     | 10   | 6    |

Dimensions in mm

<sup>1</sup> TSO = threaded socket

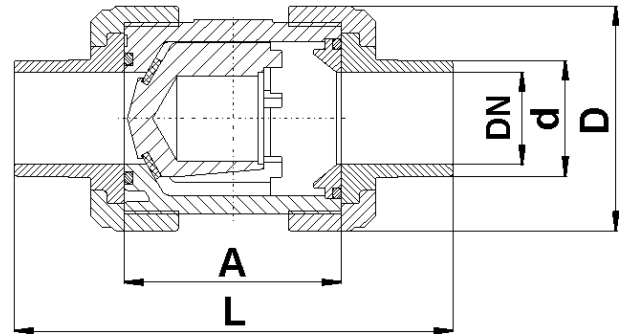
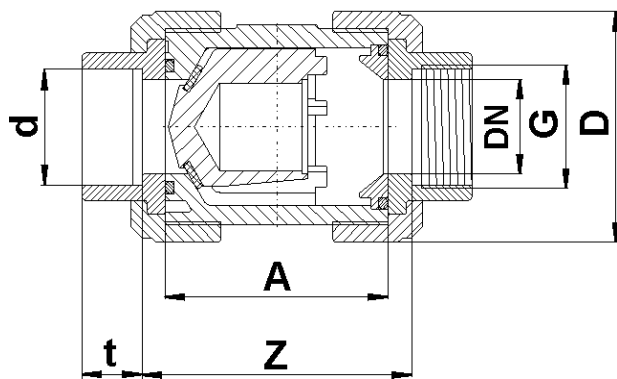
<sup>2</sup> SSO = solvent socket

<sup>3</sup> SSP = solvent spigot

<sup>4</sup> FSP = fusion spigot

- = currently not realised

# Aerating Valve S4



## PP

### Connector types

PP fusion socket / fusion spigot / threaded socket

| DN                            | 10   | 15   | 20   | 25   | 32     | 40     | 50    | 65     | 80   | 80  |
|-------------------------------|------|------|------|------|--------|--------|-------|--------|------|-----|
| d                             | 16   | 20   | 25   | 32   | 40     | 50     | 63    | 75     | 90   | 110 |
| G <sub>TSO</sub> <sup>1</sup> | 3/8" | 1/2" | 3/4" | 1"   | 1 1/4" | 1 1/2" | 2"    | 2 1/2" | 3"   | -   |
| A                             | 62   | 62   | 69   | 73   | 83     | 94     | 108   | 133    | 160  | 160 |
| D                             | 53   | 53   | 64   | 71   | 84,5   | 100    | 120,5 | 155    | 187  | 187 |
| t <sub>FSO</sub> <sup>2</sup> | 14,5 | 16   | 17,5 | 19,5 | 22     | 25,5   | 29    | 34,5   | 38,5 | 42  |
| L <sub>FSP</sub> <sup>3</sup> | 114  | 124  | 143  | 152  | 171    | 191    | 220   | 277    | 295  | 312 |
| Z <sub>TSO</sub> <sup>1</sup> | 67   | 67   | 74   | 80   | 89     | 13     | 119   | 143    | 180  | -   |
| Z <sub>FSO</sub> <sup>2</sup> | 71   | 68   | 78   | 84   | 97     | 113    | 136   | 162    | 211  | 211 |
| PN                            | 10   | 10   | 10   | 10   | 10     | 10     | 10    | 8      | 6    | 6   |

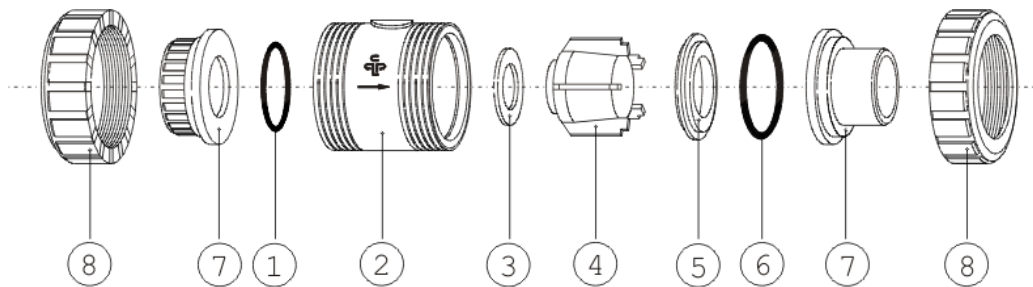
Dimensions in mm

- <sup>1</sup> TSO = threaded socket
- <sup>2</sup> FSO = fusion socket
- <sup>3</sup> FSP = fusion spigot
- = currently not realised

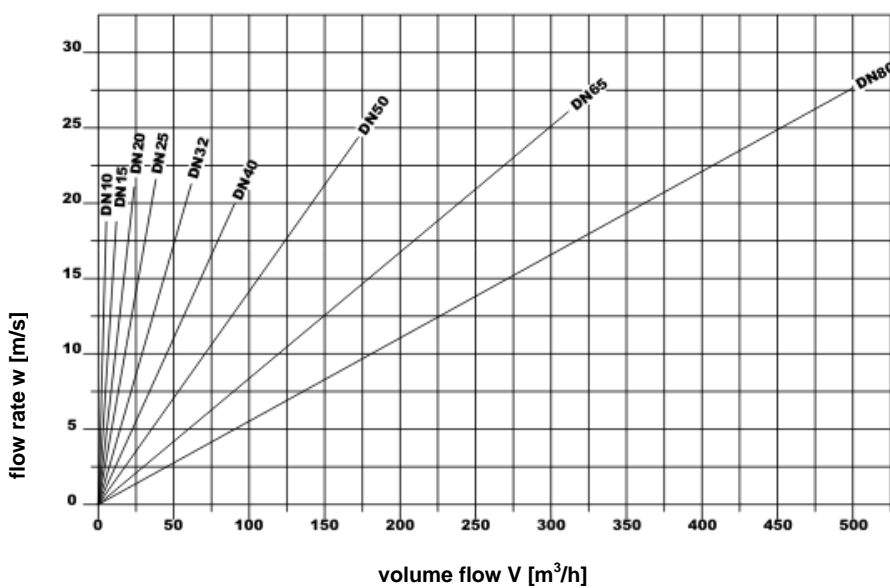
# Aerating Valve S4

**Exploded drawing:**

- 01. O-Ring
- 02. Body
- 03. Flat gasket
- 04. Cone
- 05. Thrust collar
- 06. O-Ring
- 07. Connector types
  - Solvent socket
  - Solvent spigot
  - Threaded socket
  - Fusion socket
  - Fusion spigot
- 08. Union nut



**Diagrams:**

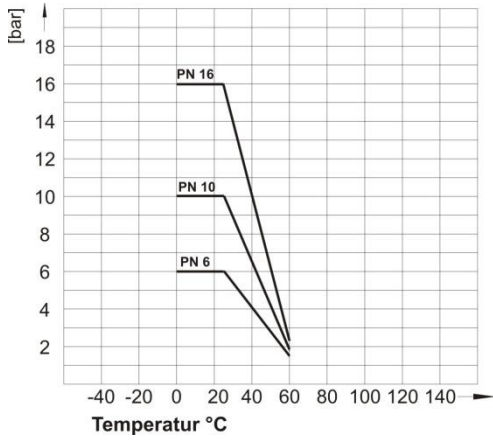


# Aerating Valve S4



## Pressure – Temperature – Diagram

### PVC



### PP

