

Aerating Valve S4



Symbol photo

General:

- Material: PVC-U / PP
- Sealing material: EPDM / FPM
- Dimensions: DN10 – DN80
d16 – d110
3/8" – 4"

Connector types

PVC

- Solvent socket: DIN / ASTM / JIS
- Solvent spigot: DIN
- Threaded socket: BSP
- PE fusion spigot: DIN

PP

- Fusion socket: DIN
- Fusion spigot: DIN
- Threaded socket: BSP

Further connector types on request

Operating pressure:

| | |
|-------------------------------|---------|
| DN10 d16 d3/8" – DN50 d63 d2" | PN16/10 |
| DN65 d75 d2 1/2" | PN16/8 |
| DN80 d90 d3" | PN10/6 |
| DN80 d110 d4" | PN6 |

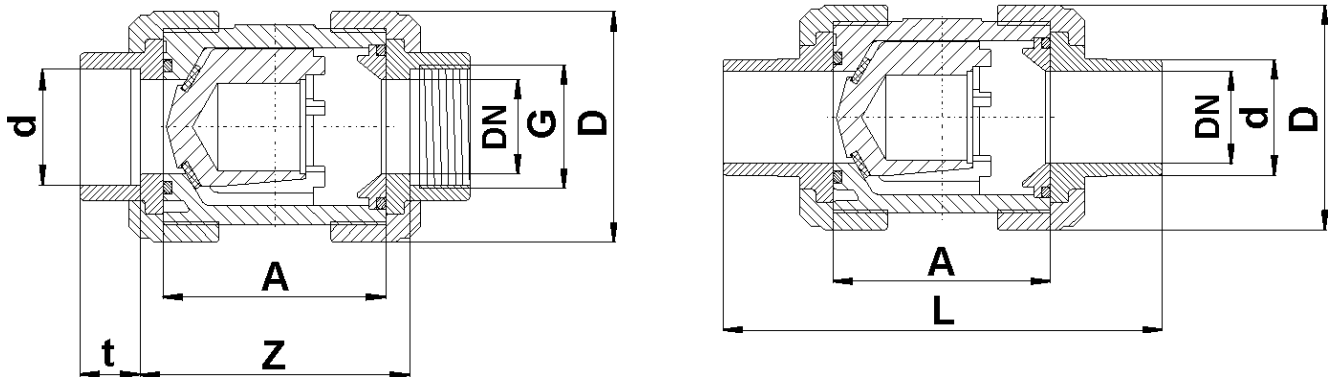
Technical features:

- Maintenance free operation over a long working life
- Service friendliness
- Radial installation or removal
- Quick and exact closing and opening

This document does not constitute a guarantee, it is for initial information purposes only. The product range is continually upgraded, the designs and types therefore only reflect the state of the art at the time of printing.
Subject to technical modifications!

Aerating Valve S4

Dimensions:



PVC

Connector types

PVC solvent socket / solvent spigot / threaded socket

PE fusion spigot

| DN | 10 | 15 | 20 | 25 | 32 | 40 | 50 | 65 | 80 | 80 |
|---|------|------|------|------|--------|--------|-------|--------|------|------|
| d | 16 | 20 | 25 | 32 | 40 | 50 | 63 | 75 | 90 | 110 |
| G _{TSO} ¹ | 3/8" | 1/2" | 3/4" | 1" | 1 1/4" | 1 1/2" | 2" | 2 1/2" | 3" | - |
| A | 62 | 62 | 70 | 74 | 84 | 95 | 109 | 137 | 163 | 163 |
| D | 53 | 53 | 63 | 70 | 85 | 101 | 124,5 | 155 | 188 | 188 |
| t _{SSO} ² | 16,5 | 16,5 | 19,5 | 22,5 | 26,5 | 31,5 | 38,5 | 45 | 55,5 | 64 |
| t _{SSP} ³ | 17 | 17 | 20 | 22,5 | 26,5 | 31,5 | 38,5 | 45 | 52 | 64,5 |
| L _{SSP} ³ | 115 | 125 | 145 | 154 | 174 | 194 | 223 | 287 | 300 | 341 |
| L _{FSP} ³ PE | 112 | 123 | 143 | 151 | 142 | 180 | 197 | 253 | 393 | 323 |
| Z _{TSO} ¹ | 67 | 67 | 77 | 81 | 90 | 104 | 120 | 150 | 185 | - |
| Z _{SSO} ² | 68 | 67 | 76 | 80 | 91 | 103 | 120 | 148 | 180 | 173 |
| PN | 16 | 16 | 16 | 16 | 16 | 16 | 16 | 16 | 10 | 6 |

Dimensions in mm

¹ TSO = threaded socket

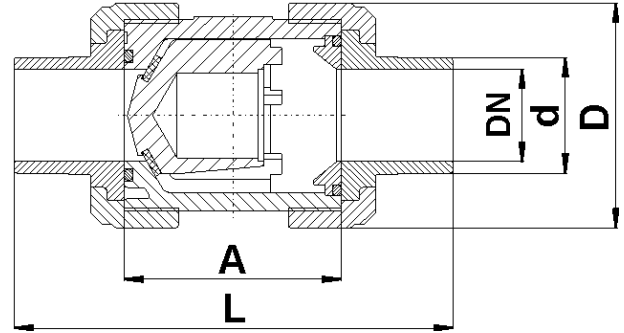
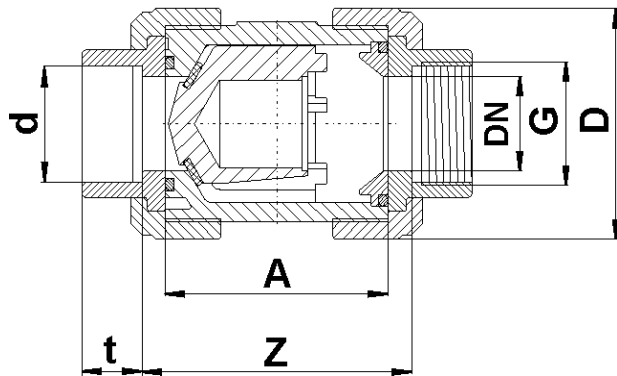
² SSO = solvent socket

³ SSP = solvent spigot

⁴ FSP = fusion spigot

- = currently not realised

Aerating Valve S4



PP

Connector types

PP fusion socket / fusion spigot / threaded socket

| DN | 10 | 15 | 20 | 25 | 32 | 40 | 50 | 65 | 80 | 80 |
|-------------------------------|------|------|------|------|--------|--------|-------|--------|------|-----|
| d | 16 | 20 | 25 | 32 | 40 | 50 | 63 | 75 | 90 | 110 |
| G _{TSO} ¹ | 3/8" | 1/2" | 3/4" | 1" | 1 1/4" | 1 1/2" | 2" | 2 1/2" | 3" | - |
| A | 62 | 62 | 69 | 73 | 83 | 94 | 108 | 133 | 160 | 160 |
| D | 53 | 53 | 64 | 71 | 84,5 | 100 | 120,5 | 155 | 187 | 187 |
| t _{FSO} ² | 14,5 | 16 | 17,5 | 19,5 | 22 | 25,5 | 29 | 34,5 | 38,5 | 42 |
| L _{FSP} ³ | 114 | 124 | 143 | 152 | 171 | 191 | 220 | 277 | 295 | 312 |
| Z _{TSO} ¹ | 67 | 67 | 74 | 80 | 89 | 13 | 119 | 143 | 180 | - |
| Z _{FSO} ² | 71 | 68 | 78 | 84 | 97 | 113 | 136 | 162 | 211 | 211 |
| PN | 10 | 10 | 10 | 10 | 10 | 10 | 10 | 8 | 6 | 6 |

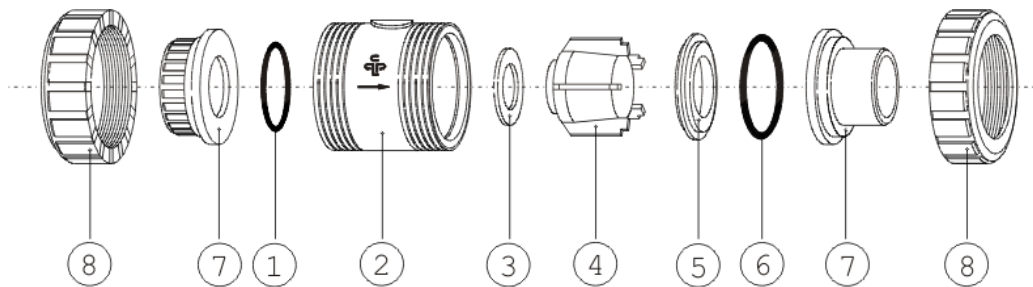
Dimensions in mm

- ¹ TSO = threaded socket
- ² FSO = fusion socket
- ³ FSP = fusion spigot
- = currently not realised

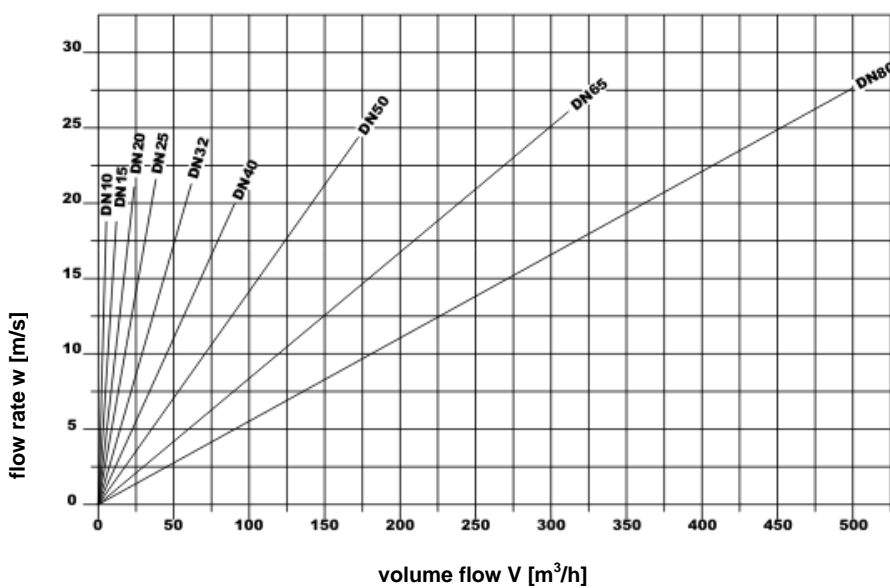
Aerating Valve S4

Exploded drawing:

- 01. O-Ring
- 02. Body
- 03. Flat gasket
- 04. Cone
- 05. Thrust collar
- 06. O-Ring
- 07. Connector types
 - Solvent socket
 - Solvent spigot
 - Threaded socket
 - Fusion socket
 - Fusion spigot
- 08. Union nut



Diagrams:

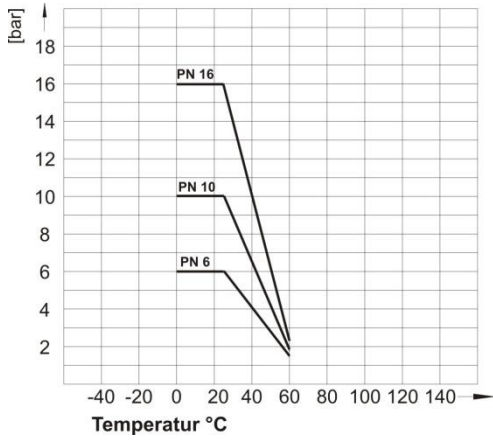


Aerating Valve S4



Pressure – Temperature – Diagram

PVC



PP

