

Cone check valve S4



General:

- Material: PVC-C
- Sealing material: EPDM / FPM
- Spring: WST 1.4401
PTFE coated
- Dimensions: DN10 – DN50
d10 – d63
3/8" – 2"

Connector types:

- Solvent socket DIN / ASTM
- Solvent spigot DIN
- Threaded socket BSP
- Fixed flange DIN-ANSI-JIS

Operating pressure:

DN10 d16 3/8" – DN50 d63 d2" PN16

Technical features:

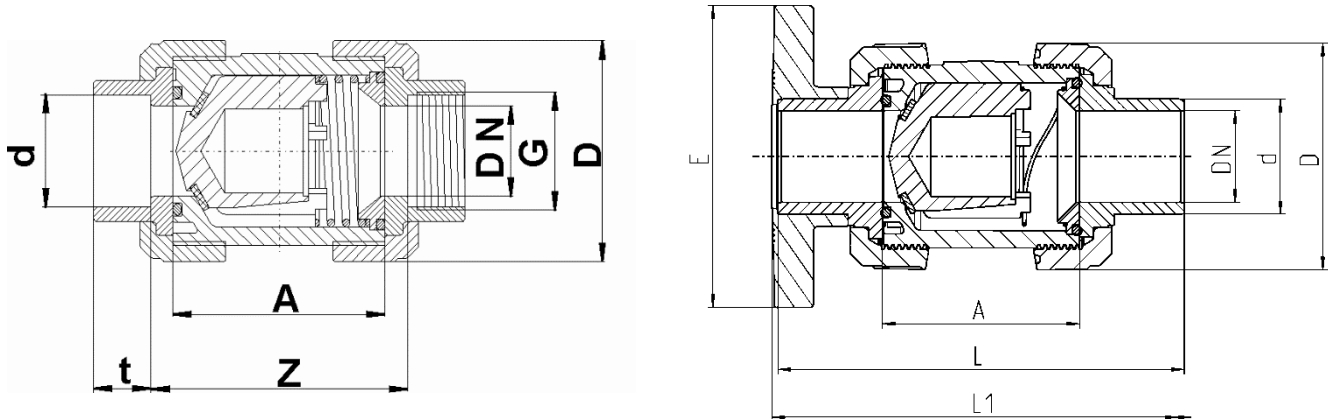
- Corrosion resistant
- Maintenance free operation over a long working life
- Ease of servicing
- Radial installation or removal
- Quick and exact closing and opening
- Opening pressure 0,06 bar

This document does not constitute a guarantee, it is for initial information purposes only. The product range is continually upgraded, the designs and types therefore only reflect the state of the art at the time of printing.
Subject to technical modifications!

Cone check valve S4



Dimensions:



DN	10	15	20	25	32	40	50
d	16	20	25	32	40	50	63
G TSO ¹	3/8"	1/2"	3/4"	1"	1 1/4"	1 1/2"	2"
A	62	62	70	73,5	83,5	94,5	108
D	53	53	62,5	70	84,5	100	119,5
t sso ²	16,5	16,5	19,5	22,5	26,5	31,5	38,5
t SSP ³	17	17	20	22,5	26,5	31,5	38,5
L SSP ³	115	125	145	154	174	194	223
Z sso ² FTso ¹	68	67	76	79,5	89,5	102,5	118
L1	120	130	150	160	180	200	230
PN	16	16	16	16	16	16	16

dimensions in mm

¹ TSO = threaded socket

² SSO = solvent socket

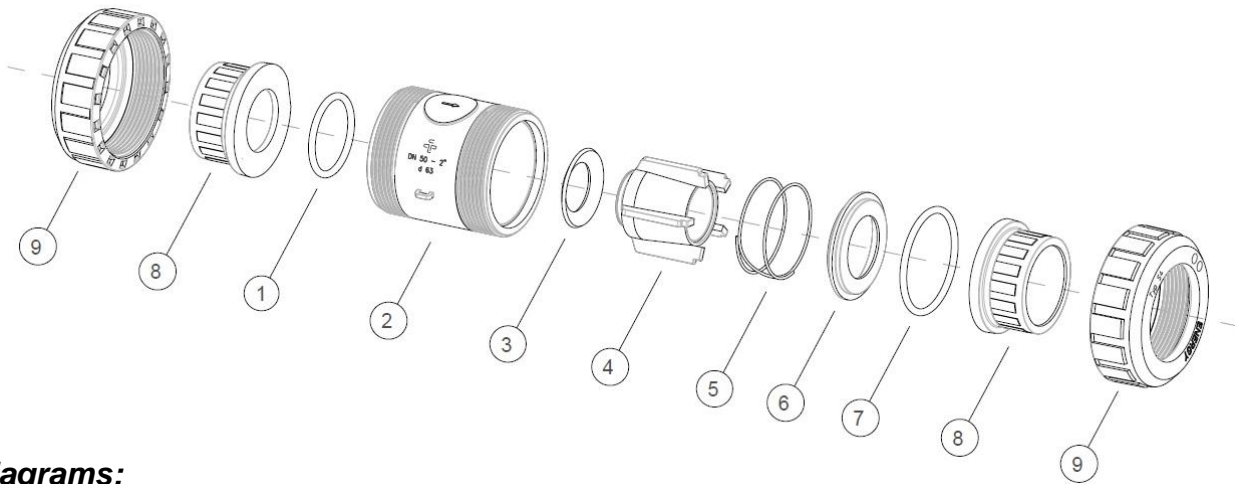
³ SSP = solvent spigot

Cone check valve S4



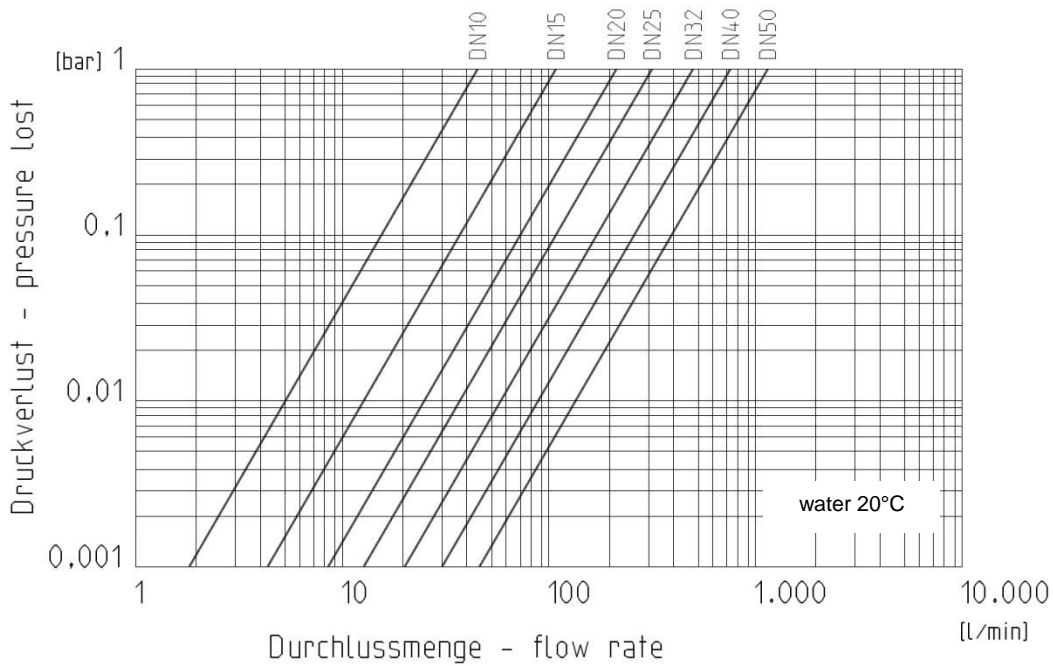
Exploded drawing:

- | | |
|---|--|
| 01. O-Ring | 07. O-Ring |
| 02. Body | 08. Connector types
Solvent socket
Solvent spigot
Threaded socket |
| 03. Flat gasket | 09. Union nut |
| 04. Cone | |
| 05. Spring
(PTFE coated or WST 1.4401) | |
| 06. Trust collar | |



Diagrams:

Pressure loss diagram



Cone check valve S4

Temperature diagramm

